

DRAWING NOTES

- 01 ALL WORKS TO BE CONSTRUCTED TO THE SATISFACTION OF THE CITY OF OTTAWA
- 02 SAW CUT INTO EXISTING ASPHALT AS PER CITY OF OTTAWA DETAIL R17. NEW ASPHALT TO BE LAID FLUSH WITH EXISTING ASPHALT.
- 03 RAMP AND TWSI AS PER CITY OF OTTAWA STANDARD
- 04 REMOVE EXISTING SIDEWALK AND CONSTRUCT NEW 2.0M WIDE SIDEWALK PER CITY OF OTTAWA STANDARD SC2.
- 05 MATCH EXISTING GRADES AT PROPERTY LINE AND LIMITS OF WORK
- 06 ANY DISTURBED AREA WITHIN THE RIGHT-OF-WAY SHALL BE REINSTATED TO EQUAL OR BETTER CONDITION TO THE SATISFACTION OF THE CITY OF OTTAWA.
- 07 REMOVE EXISTING CONCRETE BARRIER CURB. CONSTRUCT NEW MOUNTABLE CONCRETE GUTTER AS PER OPSD 600.100
- 08 INSTALL NEW CONCRETE BARRIER CURB AS PER CITY STANDARD SC1.1
- 09 MILL AND PAVE 50mm TO TIE IN NEW ASPHALT TO EXISTING ASPHALT AS PER KEY JOINT DETAIL 2/C1.
- 10 CONSTRUCT PEDESTRIAN CURB RAMP IN ACCORDANCE WITH CITY OF OTTAWA STANDARD DETAIL SC6
- 11 PROTECT EXISTING MANHOLES AND CATCHBASINS USING A FILTER SOCK OR FILTER BASE IN ACCORDANCE WITH DETAIL 3/C1.
- 12 CONTRACTOR TO REMOVE AND SALVAGE EXISTING CITY SIGNAGE.
- 13 PROTECT EXISTING LIGHT STANDARD IN PLACE
- 14 CONTRACTOR TO CONFIRM EXISTING ASPHALT SWALE. MINIMUM 0.5% GRADE FOR STORM WATER RUNOFF TOWARDS THE NORTH
- 15 INSTALL NEW METAL POST AND NO PARKING SIGN. REFER TO ARCHITECTURAL
- 16 REFER TO DETAIL 1/C1 FOR NEW PAVEMENT STRUCTURE OR CLOSELY MATCH EXISTING PAVEMENT STRUCTURE

LEGEND

- EXISTING BUILDING
- SA EXISTING SANITARY SEWER
- ST EXISTING STORM SEWER
- NEW MOUNTABLE CONCRETE GUTTER
- EXISTING SIDEWALK TO BE REMOVED
- NEW CONCRETE SIDEWALK
- NEW GRASS
- NEW MILL AND PAVE
- NEW PAVEMENT
- 108.25 EXISTING GRADE
- +108.50 NEW GRADE
- 2.0% NEW SLOPE
- BC 108.04+TC 108.19+ BOTTOM OF CURB AND TOP OF CURB
- DC 108.04+ DROP CURB
- EXISTING TRANSFORMER AND CONCRETE PAD
- EXISTING CATCH BASIN

GENERAL NOTES

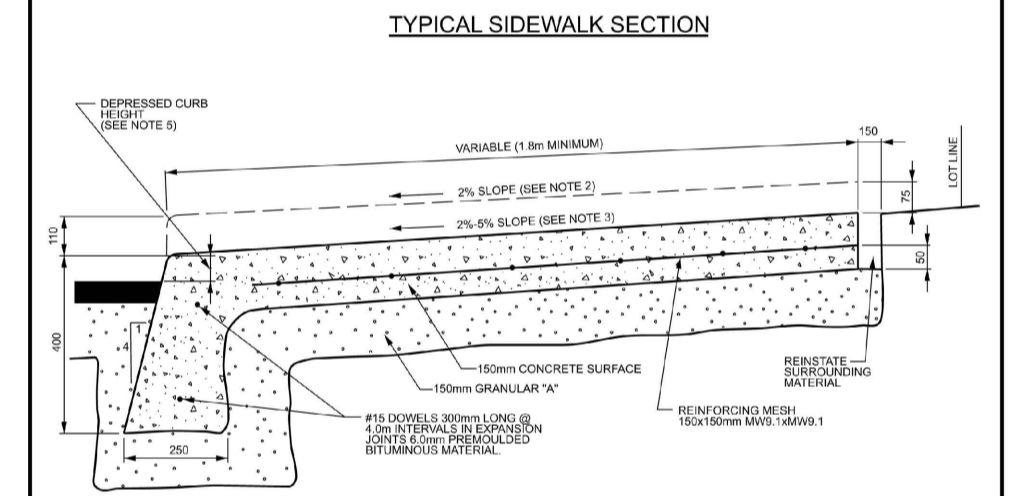
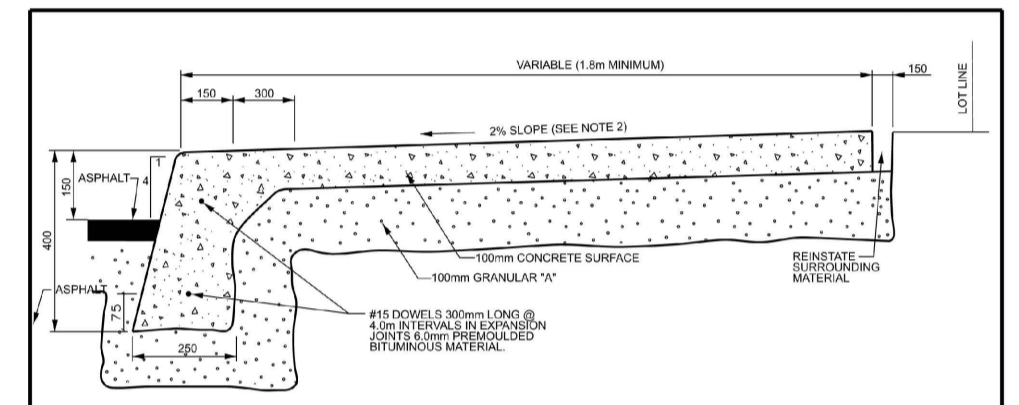
1. DESIGN AND CONSTRUCTION IS TO BE IN ACCORDANCE WITH MOST RECENT CITY OF OTTAWA STANDARDS
2. THE CONTRACTOR IS RESPONSIBLE FOR CHECKING AND VERIFYING ALL DIMENSIONS WITH RESPECT TO SITE CONDITIONS AND ALL MATERIALS TO THE PROJECT. ANY DISCREPANCY SHALL BE REPORTED TO THE ENGINEER.
3. THIS DRAWING IS TO BE READ IN CONJUNCTION WITH ALL MATERIAL RELEVANT TO THE PROJECT.
4. ADDITIONAL DRAWINGS MAY BE ISSUED FOR CLARIFICATION TO ASSIST PROPER EXECUTION OF WORK. SUCH DRAWINGS WILL HAVE THE SAME MEANING AND INTENT AS IF THEY WERE INCLUDED WITH THE CONTRACT DOCUMENTS.
5. CONTRACTOR MUST COMPLY WITH LOCAL BY-LAWS, ONTARIO OCCUPATIONAL HEALTH AND SAFETY ACT AND ALL REGULATIONS SET BY AUTHORITIES HAVING JURISDICTION. IN CASE OF CONFLICT OR DISCREPANCY, THE MORE STRINGENT REQUIREMENTS SHALL APPLY.
6. CONTRACTOR RESPONSIBLE FOR OBTAINING ALL REQUIRED UTILITY LOCATES, DAYLIGHTING, INSPECTIONS, PERMITS, AND APPROVALS, INCLUDING ALL ASSOCIATED COSTS. LOCATION OF EXISTING UTILITIES ARE APPROXIMATE ONLY AND BASED ON BEST AVAILABLE INFORMATION.

GEOTECHNICAL NOTES

1. GEOTECHNICAL ENGINEER LICENSED IN THE PROVINCE OF ONTARIO SHALL INSPECT ALL SUBGRADE SURFACES PRIOR TO CONSTRUCTION OF PAVEMENT STRUCTURES.

EROSION AND SEDIMENT CONTROL NOTES

1. THE CONTRACTOR SHALL IMPLEMENT BEST MANAGEMENT PRACTICES TO PROVIDE FOR PROTECTION OF THE AREA DRAINAGE SYSTEM AND THE RECEIVING WATER COURSE. DURING CONSTRUCTION ACTIVITIES; THIS INCLUDES LIMITING THE AMOUNT OF EXPOSED SOIL, INSTALLING SILT FENCES AND OTHER EFFECTIVE SEDIMENT TRAPS, AND INSTALLING AND MAINTAINING MUD MATS FOR OUTGOING CONSTRUCTION TRAFFIC DURING CONSTRUCTION ACTIVITIES.
2. PREVENT SOIL LOSS DURING CONSTRUCTION (BY STORM WATER RUNOFF OR WIND EROSION).
3. PROTECT TOPSOIL BY STOCKPILING FOR REUSE.
4. PREVENT SEDIMENTATION OF STORM SEWERS AND RECEIVING STREAMS.
5. PREVENT AIR POLLUTION FROM DUST AND PARTICULATE MATTER.
6. ALL STORM MANHOLES AND CATCHBASIN MANHOLES TO HAVE 300mm SUMPS; ALL CATCHBASINS TO HAVE 600mm SUMPS.
7. INSTALL FILTER BAG INSERT IN ALL STORM MANHOLES AND CATCH BASINS IMPACTED DURING CONSTRUCTION, INCLUDING CATCH BASINS IN THE RIGHT OF WAY.
8. SEDIMENT AND EROSION CONTROL MEASURES MAY BE MODIFIED IN THE FIELD AT THE DISCRETION OF THE CITY OF OTTAWA INSPECTOR OR CONSERVATION AUTHORITY.
9. STORM WATER PUMPED INTO CITY SERVICE SHALL FLOW THROUGH A FILTER SOCK.
10. THE CONTRACTOR ACKNOWLEDGES THAT FAILURE TO IMPLEMENT APPROPRIATE EROSION AND SEDIMENTATION CONTROL MEASURES MAY BE SUBJECT TO PENALTIES IMPOSED BY ANY APPLICABLE REGULATORY AGENCY.

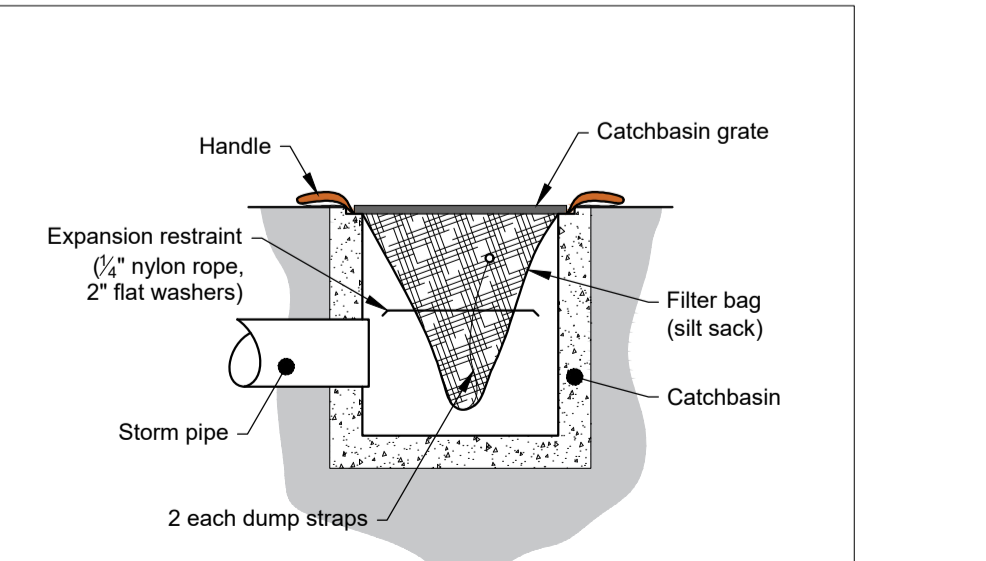
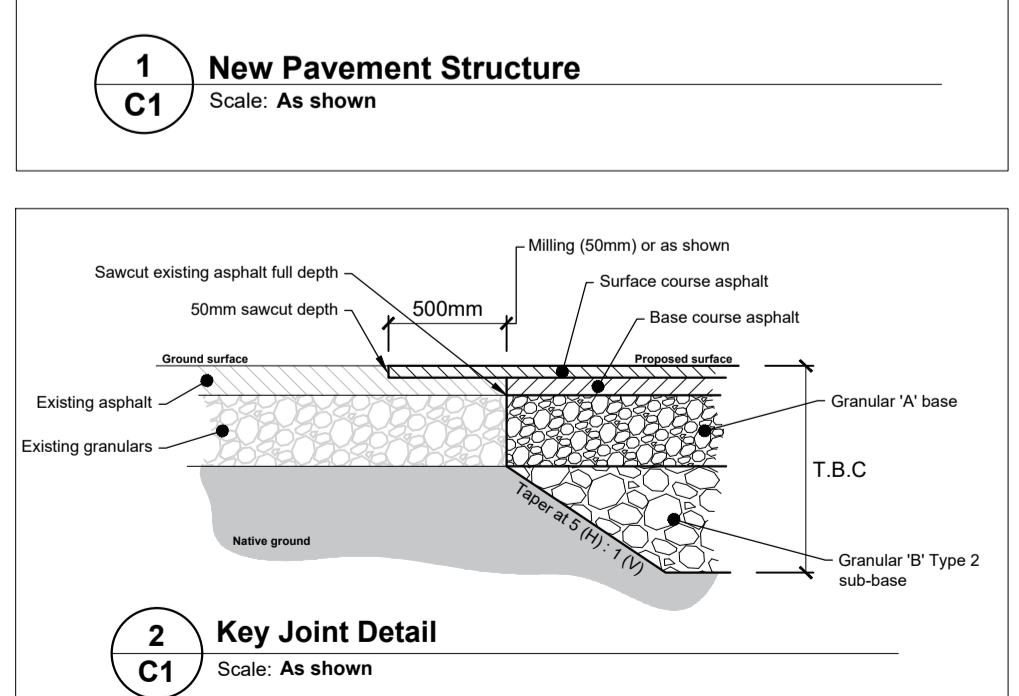
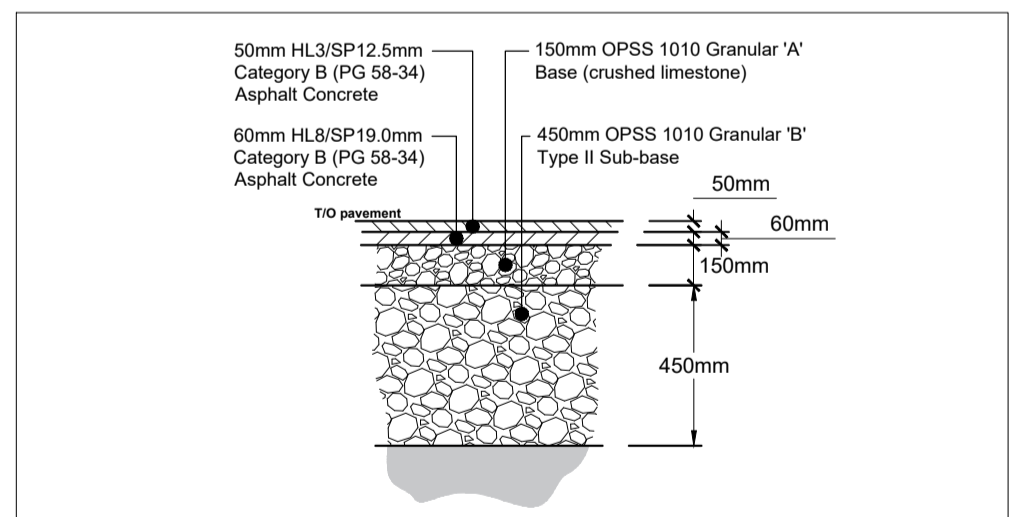


NOTES:
 1. ALL DIMENSIONS ARE IN MILLIMETRES UNLESS SHOWN OTHERWISE.
 2. THE MAXIMUM SLOPE IS NOT TO EXCEED 5%
 3. FOR CURB RAMPS, SLOPE OF 2% TO 5% MAXIMUM 5%
 4. EXPANSION AND DUMPY JOINTS AS PER SC3
 5. DEPRESSIONED CURB HEIGHT - FOR PEDESTRIAN CURB RAMPS 0 TO 5 mm AND FOR PRIVATE ENTRANCES 0 TO 13 mm

N.T.S.

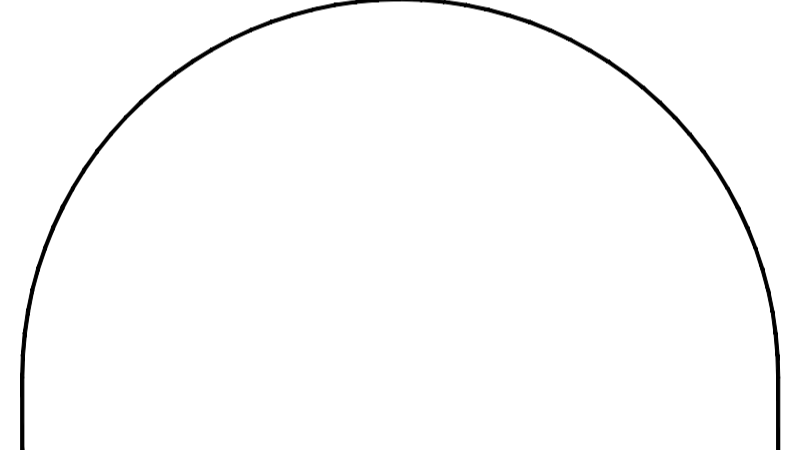
MONOLITHIC CONCRETE CURB AND SIDEWALK

DATE: MAY 2021
 DRAWN BY: [Name]
 CHECKED BY: [Name]
 DWG. NO.: SC2



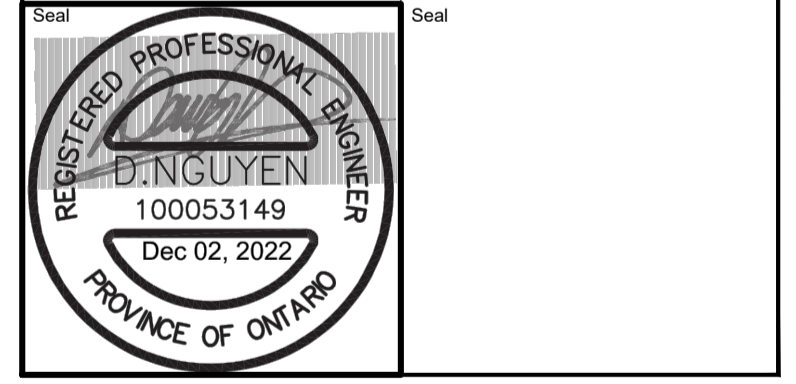
Jp2g Consultants Inc.
 ENGINEERS - PLANNERS - PROJECT MANAGERS
 1150 Morrison Drive, Suite 410, Ottawa, ONT.
 Phone: (613) 828-7800 Fax: (613) 828-2600

No.	YYYY-MM-DD	Revision Comments
3	2022-12-02	ISSUED FOR SITE PLAN CONTROL
2	2022-11-21	ISSUED FOR COORDINATION
1	2022-11-16	ISSUED FOR CLIENT REVIEW



EDWARD J. CUHACI & ASSOCIATES ARCHITECTS INC.
 171 Slater St., Suite 100, Ottawa, Ontario K1P 5H7
 Fax: (613) 236-1944 Tel: (613) 236-7135 E-mail: info@cuhaci.com

Project
40 Granite Ridge



Drawing Title
Site Grading Plan

Scale As Shown	Drawn By ZB
Date 2022-11-16	Checked AS
Project No.	Drawing No. C1

Contractor to verify all dimensions and notify the Architect of any discrepancies before work commences.
 Do not scale drawings.

Revision No.
1