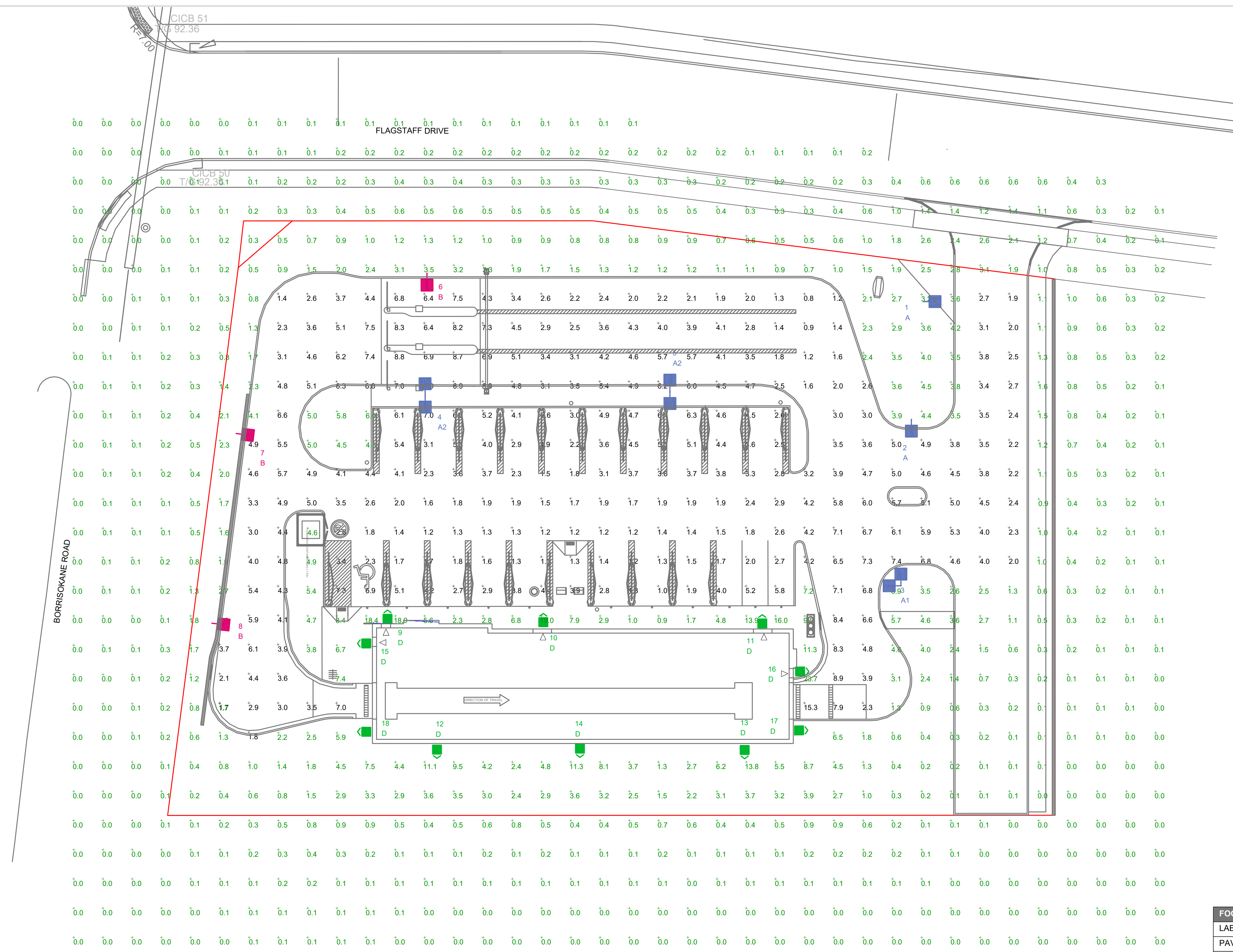


NOTE:
- POLE MOUNTED FIXTURES ARE MOUNTED ON A 20FT POLE ATOP A CONCRETE BASE.



LUMINAIRE LOCATION SUMMARY		
LUM NO.	LABEL	MTG. HT.
1	A	23
2	A	23
3	A1	23
4	A2	23
5	A2	23
6	B	23
7	B	23
8	B	23
9	D	9
10	D	9
11	D	9
12	D	9
13	D	9
14	D	9
15	D	9
16	D	9
17	D	9
18	D	9

FOOTCANDLE LEVELS CALCULATED AT GRADE USING INITIAL LUMEN VALUES					
LABEL	AVG	MAX	MIN	AVG/MIN	MAX/MIN
PAVED AREA	3.82	12.7	0.8	4.78	15.88
UNDEFINED AREA	1.03	19.5	0.0	N.A.	N.A.

LUMINAIRE SCHEDULE											
SYMBOL	QTY	LABEL	ARRANGEMENT	LUMENS	LLF	BUG RATING	WATTS/LUMINAIRE	TOTAL WATTS	MANUFACTURE	CATALOG LOGIC	
	2	A	SINGLE	13374	1.000	B3-U0-G2	85	170	Cree Inc	OSQ-ML-B-DA + OSQM-B-16L-40K7-3M-UL-NM-XX-Q9	
	1	A1	2 @ 90 DEG	13374	1.000	B3-U0-G2	85	170	Cree Inc	OSQ-ML-B-DA + OSQM-B-16L-40K7-3M-UL-NM-XX-Q9	
	2	A2	BACK-BACK	13374	1.000	B3-U0-G2	85	340	Cree Inc	OSQ-ML-B-DA + OSQM-B-16L-40K7-3M-UL-NM-XX-Q9	
	3	B	SINGLE	12699	1.000	B2-U0-G2	104	312	Cree Inc	OSQ-ML-B-DA + OSQM-B-16L-40K7-3M-UL-NM-XX-Q9 + OSQ-BLSMF	
	10	D	SINGLE	6094	1.000	B1-U0-G2	46.95	469.5	Cree Inc	XSPW-B-WM-3ME-6L-40K-UL-XX	

DISCLAIMER

ANY SITE PLAN(S), FLOOR PLAN(S), RENDERING(S), LIGHTING LAYOUT(S) AND PHOTOMETRIC PLAN(S) INCLUDING BUT NOT LIMITED TO ANY PROJECT(S) CREATED/PRODUCED BY RED LEONARD ASSOCIATES INC., ARE ONLY INTENDED FOR ILLUSTRATION AND QUOTING PURPOSES ONLY. RED LEONARD ASSOCIATES HAS THE RIGHT TO USE THIRD PARTY LASERS, SCANNERS, AND CAMERAS BUT ACTUAL PROJECT CONDITIONS, DIMENSIONS, AND ACCURACY OF MEASUREMENTS MAY DIFFER FROM THESE OR ANY PARAMETERS. RED LEONARD ASSOCIATES INC. ASSUMES NO LIABILITY FOR WHAT IS CREATED/PRODUCED IN THESE RECORDATIONS. THIS INCLUDES BUT IS NOT LIMITED TO THE USE OF, INSTALLATION OF AND/OR INTEGRITY OF EXISTING BUILDINGS, SURROUNDING AREA FOR PROJECT(S) SUCH AS EXISTING POLES, BASES, ARCHITECTURAL AND SIGNAGE STRUCTURE(S), LANDSCAPING PLAN(S), LIGHTING PLAN(S), FIXTURE SELECTION(S) AND PLACEMENT, MATERIAL(S), COLOR ACCURACY, TEXTURE(S), AND ANYTHING ATTRIBUTED TO PHOTO REALISM THAT IS CREATED. FURTHERMORE, RED LEONARD ASSOCIATES INC. DOES NOT ASSUME LIABILITY WHATSOEVER FOR ANY PURCHASES MADE BY CLIENT BEFORE, DURING, OR AT THE CONCLUSION OF THE PUBLISHED WORK. THE CUSTOMER, ITS RELATIVE AFFILIATES, AS WELL AS ANY OTHER PERSON(S) IN VIEWING OF THIS PRODUCT IS RESPONSIBLE FOR VERIFYING COMPLIANCE WITH ANY BUT NOT LIMITED TO ALL CODES, PERMITS, RESTRICTIONS, INSTRUCTIONS, PURCHASES, AND INSTALLATIONS OF OBJECTS VIEWED WITHIN THIS DOCUMENT(S) OR PROJECT(S). SYMBOLS ARE NOT DRAWN TO SCALE. SIZE IS FOR CLARITY PURPOSES ONLY. SIZES AND DIMENSIONS ARE APPROXIMATE. ACTUAL MEASUREMENTS MAY VARY. DRAWINGS ARE NOT INTENDED FOR ENGINEERING OR CONSTRUCTION USE. THIS DOCUMENT, ANY RED LEONARD DRAWING(S), OR PROJECT(S) IS NOT TO BE USED AND/OR INTENDED FOR ENGINEERING OR CONSTRUCTION PURPOSES, BUT FOR ILLUSTRATIVE PURPOSES ONLY. ANY LOCATIONS OF EMERGENCY LIGHTING SHOWN WERE PROVIDED BY OTHERS. RED LEONARD ASSOCIATES IS NOT RESPONSIBLE FOR INSUFFICIENT LIGHTING DURING AN EMERGENCY EVENT. ANY USE OF THIS DOCUMENTATION AND/OR OTHER ARTICLES PRODUCED BY RED LEONARD WITHOUT WRITTEN AUTHORIZATION FROM JAVNE J. LEONARD IS STRICTLY PROHIBITED.

REV.	BY	DATE	DESCRIPTION
R1	TAS	4/20/22	ADDED 2 TYPE "D" FIXTURES
R2	TAS	9/8/22	UPDATED SITE PLAN
R3	TAS	11/15/22	UPDATED SITE PLAN

AREA	QTY	LABEL	DESCRIPTION
 	2	A	OSQ-ML-B-DA + OSQM-B-16L-40K7-3M-UL-NM-XX-Q9
	1	A1	OSQ-ML-B-DA + OSQM-B-16L-40K7-3M-UL-NM-XX-Q9
	1	A2	OSQ-ML-B-DA + OSQM-B-16L-40K7-3M-UL-NM-XX-Q9
 	3	B	OSQ-ML-B-DA + OSQM-B-16L-40K7-3M-UL-NM-XX-Q9 + OSQ-BLSMF

WALL MOUNTED	QTY	LABEL	DESCRIPTION
	10	D	XSPW-B-WM-3ME-6L-40K-UL-XX

ADDITIONAL FIXTURE INFO

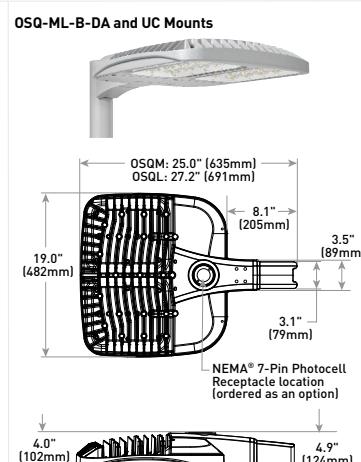
OSQ Series
OSQ™ LED Area/Flood Luminaire featuring Cree TrueWhite™ Technology - Medium & Large

Rev. Date: V01/28/2021

Product Description
The OSQ™ Area/Flood luminaire blends extreme optical control, advanced thermal management and modern, clean aesthetics. Built to last, the housing is rugged cast aluminum housing with an integrated, waferlight LED driver compartment. Versatile mounting configurations offer simple installation to site, low profile design minimize wind load requirements and blends seamlessly into the site providing even, quality illumination. The 4L lumen package is a suitable upgrade for HID applications up to 200 Watt, and the 1L lumen package is a suitable upgrade for HID applications up to 100 Watt, and the 30L lumen package is a suitable upgrade for HID applications up to 3000 Watt.

Applications: Parking lots, walkways, campuses, car dealerships, office complexes, tunnels, universities, and internal roadway.

Performance Summary
Utilizes Cree TrueWhite™ Technology on 3000K Luminaire
Nanoscopic Precision Delivery Grid™ optic
Assembled in the U.S.A. of U.S. and imported parts
Initial Delivered Lumens: 4,000 - 30,000
Efficacy: Up to 173 LPW
CRI: Minimum 70 CRI (3000K, 4000K & 5700K); 90 CRI (3000K)
CCT: 3000K, 4000K, 5000K, 5700K
Limited Warranty*: 10 years on luminaire; 10 years on ColorStar DataGuard™ finish; up to 5 years for Symplocos™ accessories; 1 year on luminaire accessories



Mount Luminaire must be ordered separately*	Luminaire	Weight
OSQ4	OSQ4	28.1 lbs. (13 kg)
OSQ5	OSQ5	32.4 lbs. (15 kg)

Ordering Information
All OSQ Series luminaires are composed of three components that must be ordered separately:
Example Mount: OSQ-ML-B-DA-01 - Luminaire: OSQ-B-16L-40K7-3M-UL-NM-XX-Q9
Example Mount: OSQ-ML-B-DA-01 - Luminaire: OSQ-B-16L-40K7-3M-UL-NM-XX-Q9

Luminaire Mount must be ordered separately*	CCT	Beam	Series	Mount	Option	Color	Package
OSQ4	3000K	40°	ML	DA	None	White	40°
OSQ5	3000K	40°	ML	DA	None	White	40°

CREE LIGHTING logo and contact information: US: cree@lighting.com (800) 236-4800, Canada: cree@lighting-canada.com (800) 473-1234

ADDITIONAL FIXTURE INFO

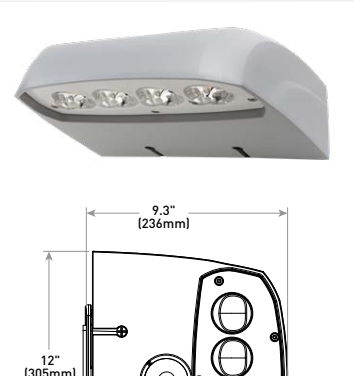
XSP Series
XSPW™ LED Wall Mount Luminaire featuring Cree TrueWhite™ Technology

Rev. Date: Version V3 03/03/2019

Product Description
The XSPW™ LED wall mount luminaire has a slim, low profile design intended for outdoor wall-mounted applications. The rugged lightweight aluminum housing and mounting base are designed for installation over standard single gang, 2-gang and multi-gang single gang 2-gang boxes. The luminaire allows for through-wire or conduit entry from the top, bottom, sides and rear. The housing design is intended specifically for LED technology including a waferlight LED driver compartment and thermal management. Optic design features industry-leading beamwidth™ Precision Delivery Grid™ optics in multiple distributions.

Applications: Generators and security lighting

Performance Summary
Nanoscopic Precision Delivery Grid™ optic
Assembled in the U.S.A. of U.S. and imported parts
CRI: 90min, 90min, 90min, 90min
CCT: 3000K, 4000K, 5000K, 5700K
Limited Warranty*: 10 years on luminaire/10 years on ColorStar DataGuard™ finish



Mount Luminaire must be ordered separately*	Luminaire	Weight
XSPW4	XSPW4	28.1 lbs. (13 kg)
XSPW5	XSPW5	32.4 lbs. (15 kg)

Ordering Information
Example XSPW-B-WM-2ME-3L-20K-UL-XX-Q9

Luminaire Package must be ordered separately*	CCT	Beam	Series	Mount	Option	Color	Package
XSPW4	3000K	40°	ML	DA	None	White	40°
XSPW5	3000K	40°	ML	DA	None	White	40°

CREE LIGHTING logo and contact information: US: cree@lighting.com (800) 236-4800, Canada: cree@lighting-canada.com (800) 473-1234

OSQ™ LED Area/Flood Luminaire featuring Cree TrueWhite™ Technology - Medium & Large

Product Specifications
CREE TRUETHWITE™ TECHNOLOGY
The OSQ Series TrueWhite™ Technology is a patented approach that delivers an excellent combination of the CRI, luminous efficacy and color rendering index (CRI) performance as well as an improved high temperature efficiency.

CONSTRUCTION & MATERIALS
• Slim, low profile design minimizes wind load requirements.
• Luminaire housing is rugged cast aluminum with an integrated, waferlight LED driver compartment and high performance heat sink.
• Concealed mounting hardware and mounting base are designed for installation over standard single gang, 2-gang and multi-gang single gang 2-gang boxes.
• Mounting for the adjustable arm mount and/or rigger pole and arm mount configurations is 1/2" diameter CSPF (3/8" diameter US) with an (8) mounting hole and an optional 1/2" x 2" supports. US and (8) mounts to fit standard 1/2" x 2" brackets for a standard 1/2" x 2" supports.
• Temperature range is extended to 131 degrees and mounts to surface with an (8) hole for surface mounting.
• Luminaire is constructed of die-cast aluminum and anodized to meet the IP65 rating requirements. LED source is adjustable from 40° to 110° depending on the luminaire package selected. LED source is adjustable from 40° to 110° depending on the luminaire package selected. LED source is adjustable from 40° to 110° depending on the luminaire package selected.

Weight	Mount	Option	Color	Package
OSQ4-ML-DA	28.1 lbs. (13 kg)	40°	White	40°
OSQ5-ML-DA	32.4 lbs. (15 kg)	40°	White	40°

CREE LIGHTING logo and contact information: US: cree@lighting.com (800) 236-4800, Canada: cree@lighting-canada.com (800) 473-1234

XSPW™ LED Wall Mount Luminaire

Product Specifications
CREE TRUETHWITE™ TECHNOLOGY
The XSPW Series TrueWhite™ Technology is a patented approach that delivers an excellent combination of the CRI, luminous efficacy and color rendering index (CRI) performance as well as an improved high temperature efficiency.

CONSTRUCTION & MATERIALS
• Slim, low profile design.
• Luminaire housing specifically designed for LED applications with advanced LED thermal management and driver.
• Luminaire mounting base designed for installation over standard single gang, 2-gang and multi-gang single gang 2-gang boxes.
• Luminaire can also be direct mounted to a wall and surface wired.
• Secure to wall with four (4) "D-ring" screws by default.
• Conduit entry from top, bottom, sides, and rear.
• Exclusive ColorStar DataGuard™ finish features an e-coat epoxy primer with an ultraviolet powder topcoat, providing excellent resistance to corrosion, salt, road debris, grime, and dirt. Silver, black, white and bronze are available.
• Weight: 28.1 lbs. (13 kg) (40°), 32.4 lbs. (15 kg) (40°), 32.4 lbs. (15 kg) (40°), 32.4 lbs. (15 kg) (40°).

Luminaire Package	CCT	Beam	Series	Mount	Option	Color	Package
XSPW4	3000K	40°	ML	DA	None	White	40°
XSPW5	3000K	40°	ML	DA	None	White	40°

CREE LIGHTING logo and contact information: US: cree@lighting.com (800) 236-4800, Canada: cree@lighting-canada.com (800) 473-1234

REDLEONARD ASSOCIATES logo and contact information: 1340 Kemper Meadow Dr. Forest Park, OH 45424, 513-674-9500 | redleonard.com

CREE LIGHTING logo and contact information: US: cree@lighting.com (800) 236-4800, Canada: cree@lighting-canada.com (800) 473-1234

ANY SITE PLAN(S), FLOOR PLAN(S), RENDERING(S), LIGHTING LAYOUT(S) AND PHOTOMETRIC PLAN(S) INCLUDING BUT NOT LIMITED TO ANY PROJECT(S) CREATED/PRODUCED BY RED LEONARD ASSOCIATES INC., ARE ONLY INTENDED FOR ILLUSTRATION AND QUOTING PURPOSES ONLY. RED LEONARD ASSOCIATES HAS THE RIGHT TO USE THIRD PARTY LASERS, SCANNERS, AND CAMERAS BUT ACTUAL PROJECT CONDITIONS, DIMENSIONS, AND ACCURACY OF MEASUREMENTS MAY DIFFER FROM THESE OR ANY PARAMETERS. RED LEONARD ASSOCIATES INC. ASSUMES NO LIABILITY FOR WHAT IS CREATED/PRODUCED IN THESE RECREATIONS. THIS INCLUDES BUT IS NOT LIMITED TO THE USE OF, INSTALLATION OF AND/OR INTEGRITY OF EXISTING BUILDINGS, SURROUNDING AREA FOR PRODUCT(S) SUCH AS EXISTING POLES, ANCHOR BOLTS, BASES, ARCHITECTURAL AND SIGNAGE STRUCTURES, LANDSCAPING PLAN(S), LIGHTING PLAN(S), FURNITURE SELECTION(S) AND PLACEMENT, MATERIALS, COLOR ACCURACY, TEXTURES, AND ANYTHING ATTRIBUTED TO PHOTO REALISM THAT IS CREATED. FURTHERMORE, RED LEONARD ASSOCIATES INC. DOES NOT ASSUME LIABILITY WHATSOEVER FOR ANY PURCHASES MADE BY CLIENT BEFORE, DURING, OR AT THE CONCLUSION OF THE PUBLISHED WORK. THE CUSTOMER, ITS RELATIVE AFFILIATES, AS WELL AS ANY OTHER PERSONS IN VIEWING OF THIS PRODUCT IS RESPONSIBLE FOR VERIFYING COMPLIANCE WITH ANY BUT NOT LIMITED TO ALL CODES, PERMITS, RESTRICTIONS, INSTRUCTIONS, PURCHASES, AND INSTALLATIONS OF OBJECTS VIEWED WITHIN THIS DOCUMENT(S) OR PROJECT(S). SYMBOLS ARE NOT DRAWN TO SCALE. SIZE IS FOR CLARITY PURPOSES ONLY. SIZES AND DIMENSIONS ARE APPROXIMATE. ACTUAL MEASUREMENTS MAY VARY. DRAWINGS ARE NOT INTENDED FOR ENGINEERING OR CONSTRUCTION USE. THIS DOCUMENT, ANY RED LEONARD DRAWING(S), OR PROJECT(S) IS NOT TO BE USED AND/OR INTENDED FOR ENGINEERING OR CONSTRUCTION PURPOSES, BUT FOR ILLUSTRATIVE PURPOSES ONLY. ANY USE OF THIS DOCUMENTATION AND/OR OTHER ARTICLES PRODUCED BY RED LEONARD WITHOUT WRITTEN AUTHORIZATION FROM JAYME J. LEONARD IS STRICTLY PROHIBITED.

PROJECT NAME: HALO CAR WASH BARRHAVEN, ON
DRAWING NUMBER: RL-7978-S1-R3

