

- KEY PLAN**
- FLOOR PLAN NOTES**
- OPERABLE WALL c/w WHITE BOARD AND DOOR. SEE DOOR SCHEDULE
 - SUSPENDED GYM CURTAIN ABOVE
 - HALF WALL W/ BUILT-IN SHELVING AND BENCH
 - METAL SECURITY GRILLE. SEE DOOR SCHEDULE
 - H.M. DOOR FRAME w/ MAGLOCK HOLDER. SEE ELECTRICAL
 - PROVIDE WALL MOUNTED SIGN "NO DEEP FRYING IS PERMITTED ON THIS EQUIPMENT"
 - EXPOSED DUCT WORK ABOVE. SEE MECHANICAL
 - THEATRE CURTAIN
 - HEALTH ROOM BED - N.I.C.
 - CANOPY ABOVE
 - BULKHEAD ABOVE
 - 55" MONITOR - N.I.C. PROVIDE POWER & DATA BELOW CEILING HEIGHT. SEE ELECTRICAL
 - PRINTER - N.I.C.
 - P.A. SYSTEM. SEE ELECTRICAL
 - SLOP SINK. SEE MECHANICAL
 - ACCORDION DOOR
 - DOUBLE HEIGHT LOCKER. SEE SPEC.
 - PLATFORM LIFT
 - 3600 WIDE PROJECTION SCREEN ABOVE
 - GALVANIZED STEEL COLUMN
 - WASHROOM GATE. SEE DETAIL 16/A710
 - STEEL STAIR
 - DRINKING FOUNTAIN IN KINDERGARTEN MOUNTED AT 600mm A.F.F.
 - LAVATORY IN KINDERGARTEN MOUNTED AT 600mm A.F.F.
 - ROOF ACCESS LADDER c/w CAGE
 - WALL MOUNTED ACOUSTIC PANEL - 1200mm X 2400mm & PLACED 600mm APART. TYP.
 - LINE UP & SPACE EQUALLY AT PHONE, CARD READER & AUTO DOOR OPERATOR @ 1000mm HT.
 - ENCLOSURE FOR TEMPORARY GENERATOR OUTLET. SEE ELECTRICAL
 - SPRINK FOAM & CALK @ PENETRATION
 - GYM P.A. c/w PRE-MANUFACTURED CABINET - SEE ELECTRICAL
 - MECHANICAL EQUIPMENT. SEE MECH.
 - 2000mm (W) x 1200mm (D) x 100mm (H) HOUSEKEEPING SLAB
 - UNDERSTAGE DOLLY - 4 @ 3600mm LONG
 - OPERABLE WALL
 - FIRE SHUTTER ABOVE

- EXTERIOR WALL ASSEMBLIES**
- W1 CURTAIN WALL**
 - 152mm ALUMINUM CURTAIN WALL
 - REFER TO WINDOW ELEVATION FOR PATTERN & GLASS TYPE
 - W11 HIGH PRESSURE LAMINATE PANEL BOARD**
 - 16 GYPSUM BOARD
 - 6mm POLY VAPOUR BARRIER
 - 152 STRUCT. STEEL STUDS @ 400mm O.C.
 - 150 BATT INSULATION (R20)
 - 13 GYPSUM SHEATHING
 - AIR BARRIER
 - 100 MINERAL WOOL INSULATION (R15)
 - 100 THERMAL CLIP @ 400 O.C. HORIZ. & 1200 O.C. VERT.
 - 50 VERT. GALVANIZED STEEL HAT/Z GIRTS @ 1200 O.C.
 - 8mm HIGH PRESSURE LAMINATE PANEL BOARD
 - W11b HIGH PRESSURE LAMINATE PANEL BOARD - WIDE**
 - 16 GYPSUM BOARD
 - 92 STEEL STUDS 400mm O.C.
 - 100 AIR SPACE
 - 6mm POLY VAPOUR BARRIER
 - 152 STRUCT. STEEL STUDS @ 400 O.C.
 - 150 BATT INSULATION (R20)
 - 13 GYPSUM SHEATHING
 - AIR BARRIER
 - 100 MINERAL WOOL INSULATION (R15)
 - 100 THERMAL CLIP @ 400 O.C. HORIZ. & 1200 O.C. VERT.
 - 25 VERT. GALVANIZED STEEL HAT/Z GIRTS @ 1200 O.C.
 - 8mm HIGH PRESSURE LAMINATE PANEL BOARD
 - W11c HIGH PRESSURE LAMINATE PANEL BOARD - MAIN ENTRANCE**
 - 12mm ALUMINUM WOOD LOOK CLADDING
 - 50mm VERT. GALVANIZED STEEL HAT/Z GIRTS @ 1200 O.C.
 - 13 GYPSUM SHEATHING
 - 152 STRUCT. STEEL STUDS @ 400 O.C.
 - 13 GYPSUM SHEATHING
 - 150 VERT. GALVANIZED STEEL HAT/Z GIRTS @ 1200 O.C.
 - 8mm HIGH PRESSURE LAMINATE PANEL BOARD
 - W12 ALUMINUM CLADDING**
 - 16 GYPSUM BOARD
 - 6mm POLY VAPOUR BARRIER
 - 152 STRUCT. STEEL STUDS @ 400 O.C.
 - 150 BATT INSULATION (R20)
 - 13 GYPSUM SHEATHING
 - AIR BARRIER
 - 100 MINERAL WOOL INSULATION (R15)
 - 100 THERMAL CLIP @ 400 O.C. HORIZ. & 1200 O.C. VERT.
 - 50 VERT. GALVANIZED STEEL Z GIRTS @ 1200 O.C.
 - 12mm ALUMINUM WOOD LOOK CLADDING
 - W3 BRICK**
 - 16 GYPSUM BOARD
 - 6mm POLY VAPOUR BARRIER
 - 152 STRUCT. STEEL STUDS @ 400 O.C.
 - 150 BATT INSULATION (R20)
 - 13 GYPSUM SHEATHING
 - AIR BARRIER
 - 100 MINERAL WOOL INSULATION (R15)
 - 32 AIR SPACE
 - 90 FACE BRICK
 - W4 ARCH. BLOCK**
 - 16 GYPSUM BOARD
 - 6mm POLY VAPOUR BARRIER
 - 152 STRUCT. STEEL STUDS @ 400 O.C.
 - 150 BATT INSULATION (R20)
 - 13 GYPSUM SHEATHING
 - AIR BARRIER
 - 100 MINERAL WOOL INSULATION (R15)
 - 32 AIR SPACE
 - 90 ARCHITECTURAL BLOCK
 - W4b ARCH. BLOCK - WIDE**
 - 16 GYPSUM BOARD
 - 92 STEEL STUDS 400mm O.C.
 - 6mm POLY VAPOUR BARRIER
 - 152 STRUCT. STEEL STUDS @ 400 O.C.
 - 150 BATT INSULATION (R20)
 - 13 GYPSUM SHEATHING
 - AIR BARRIER
 - 100 MINERAL WOOL INSULATION (R15)
 - 32 AIR SPACE
 - 90 ARCHITECTURAL BLOCK
 - W4c ARCH. BLOCK - WIDE - MAIN ENTRANCE**
 - 90 ARCHITECTURAL BLOCK
 - 13 GYPSUM SHEATHING
 - 152 STRUCT. STEEL STUDS @ 400 O.C.
 - 13 GYPSUM SHEATHING
 - 90 ARCHITECTURAL BLOCK
 - W5 STEEL CLADDING (ROOF ACCESS)**
 - 16 GYPSUM BOARD
 - 6mm POLY VAPOUR BARRIER
 - 152 STRUCT. STEEL STUDS @ 400 O.C.
 - 150 BATT INSULATION (R20)
 - 13 GYPSUM SHEATHING
 - AIR BARRIER
 - 100 MINERAL WOOL INSULATION (R15)
 - 100 THERMAL CLIP @ 400 O.C. HORIZ. & 1200 O.C. VERT.
 - 25 VERT. GALVANIZED STEEL Z GIRTS @ 1200 O.C.
 - 40mm STEEL CLADDING
 - W6 STEEL CLADDING 240 CONCRETE BLOCK (ROOF ACCESS)**
 - 240 CONCRETE BLOCK
 - PEEL AND STICK A / V BARRIER
 - 127 MINERAL WOOL INSULATION (R15)
 - 127 THERMAL CLIP @ 400 O.C. HORIZ. & 1200 O.C. VERT.
 - 40mm STEEL CLADDING
 - W7 STEEL CLADDING 190 CONCRETE BLOCK (ROOF ACCESS)**
 - 190 CONCRETE BLOCK
 - PEEL AND STICK A / V BARRIER
 - 127 MINERAL WOOL INSULATION (R15)
 - 127 THERMAL CLIP @ 400 O.C. HORIZ. & 1200 O.C. VERT.
 - 25 VERT. GALVANIZED STEEL Z GIRTS @ 1200 O.C.
 - 40mm STEEL CLADDING
 - W8 ROOF MECHANICAL SHAFT**
 - 152 STRUCT. STEEL STUDS @ 400 O.C.
 - 13 GYPSUM SHEATHING
 - PEEL AND STICK A / V BARRIER
 - 150mm MINERAL WOOL INSULATION (R17.2)
 - 150 THERMAL CLIP @ 400 O.C. HORIZ. & 1200 O.C. VERT.
 - 25 VERT. GALVANIZED STEEL Z GIRTS @ 1200 O.C.
 - 40mm STEEL CLADDING
 - REFER TO 1/A001 FOR LOCATION OF FIRE RATED WALLS
 - REFER TO A103 FOR INTERIOR WALL PARTITIONS



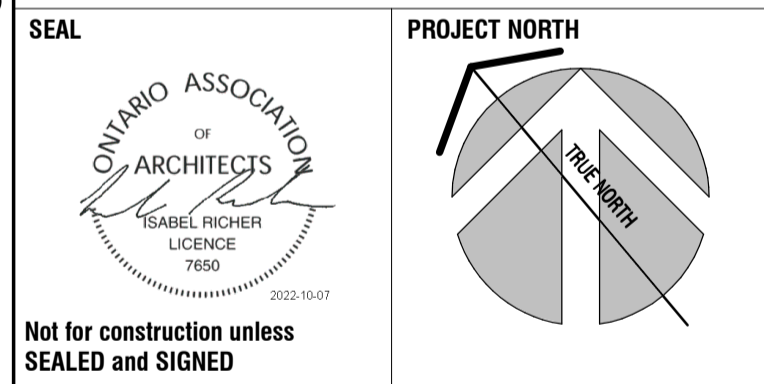
FLOOR PLAN LEGEND

ROOM NAME	ROOM NUMBER	FLOOR PLAN LEGEND
PT02B		DOOR NUMBER - SEE DOOR SCHEDULE
XXX		WALL TYPES - SEE WALL SCHEDULE
◇		PARTITION TYPES - SEE WALL SCHEDULE
①		DRAWING NOTE
②		CORNER GUARD
• B.N.		BULLNOSE - CONCRETE BLOCK
○ F.D.		FLOOR DRAIN
• F.O.		FLOOR OUTLET - SEE ELECTRICAL
C.R.		CARD READER
A.P.H.		A.I. PHONE
F.F.		FORCE FLOW HEATER - SEE ELECT.
E.P.		ELECTRICAL PANEL - SEE ELECT.
③ F.E.		FIRE EXTINGUISHER - RECESSED/SURFACE MOUNT - SEE MECH.
+ H.B.		HOSE BIB CONNECTION - SEE MECH.
• L.		PUSH TO LOCK BUTTON, 1000mm A.F.F.
• A.		AUTODOOR OPERATOR - MOUNTED 600mm MIN. FROM LATCH SIDE OF DOOR, 1000mm A.F.F.
E.		EMERGENCY BUTTON C/W BILINGUAL SIGN: "IN THE EVENT OF AN EMERGENCY PUSH EMERGENCY BUTTON AND AUDIBLE AND VISUAL SIGNAL WILL ACTIVATE FOR ASSISTANCE" (LETTERS TO BE 25mm HT. W/ 5mm STROKE)
W.B. X.X		1.2m HT. X LENGTH WHITEBOARD
T.B. X.X		1.2m HT. X LENGTH TACKBOARD
T.B. 2.4/M		2.4m WIDE X 2m HT. TACKBOARD/MIRROR COMBO
P.J.		PANEL JOINT
- C		CLOCK, BY OWNER
○ RWL		RAIN WATER LEADER
G.M.		GAS METER - SEE MECHANICAL
H.O.		DOOR HOLD OPEN DEVICE
F.D.C.		FIRE DEPARTMENT CONNECTION
□ KC		KEY CABINET, RECESSED INSTALLATION, SEE SPEC.

REV	REVISION DESCRIPTION	DATE
2	ISSUED FOR SITE PLAN CONTROL	OCT/07/2022
3	ISSUED FOR 85% DRAWINGS & SPECS FOR COST ESTIMATE	SEP/23/2022
1	ISSUED FOR 80% REVIEWS CLASS A COST ESTIMATE	AUG/25/2022

THIS DRAWING IS THE EXCLUSIVE PROPERTY OF PYTE & RICHARDS - TEMPRANO & YOUNG ARCHITECTS INC. COPYRIGHT RESERVED

CONTRACTOR TO VERIFY ALL DIMENSIONS AND NOTIFY THE ARCHITECT OF ANY DIMENSIONAL ERRORS AND/OR POSSIBLE TRADE INTERFERENCE/CONFLICT FOR CLARIFICATION PRIOR TO COMMENCEMENT OF THE WORK. DO NOT SCALE DRAWINGS.



Not for construction unless SEALED and SIGNED

P R PYTE & RICHARDS - TEMPRANO & YOUNG ARCHITECTS INC.

824 Meath St. Suite 200 613. 724. 7700
Ottawa, ON K1Z 6E8 info@prty.ca

PROJECT
OCSB FINDLAY CREEK CATHOLIC ELEMENTARY SCHOOL

4140 KELLY FARM DRIVE OTTAWA, ONTARIO

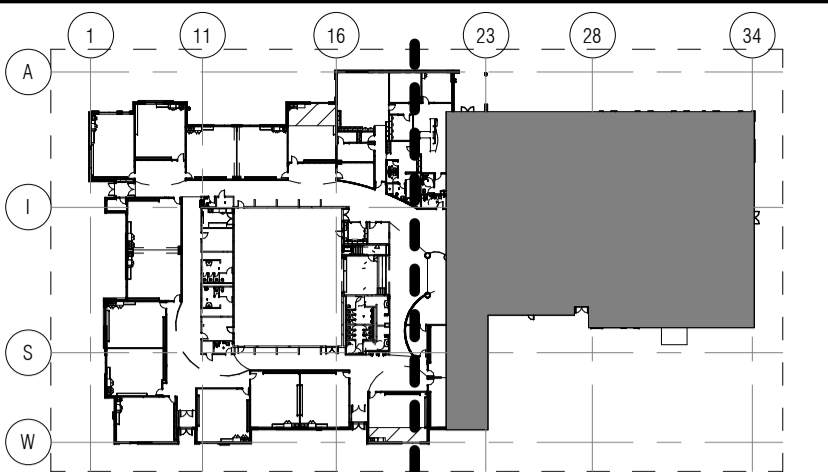
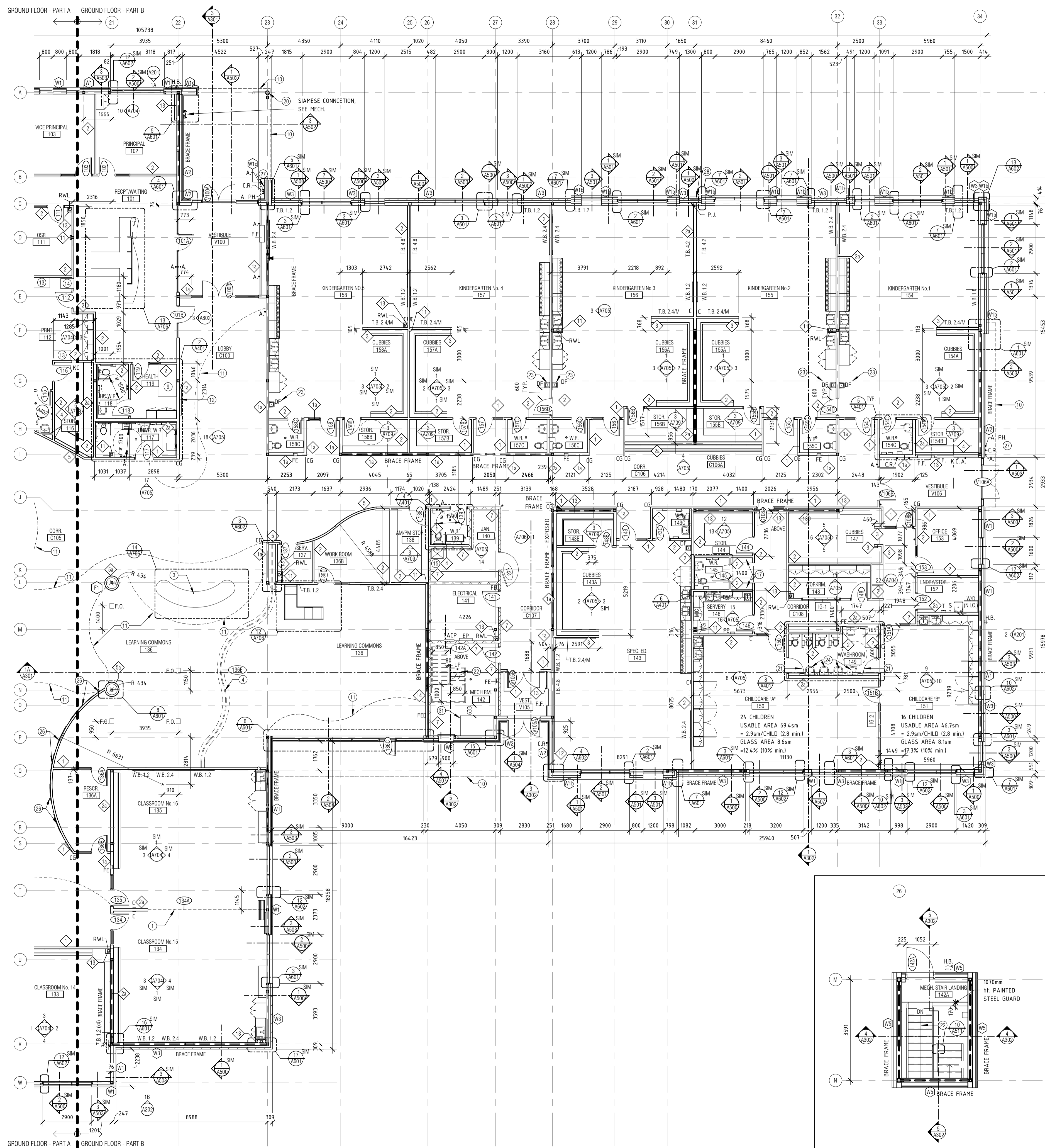
DRAWING
GROUND FLOOR PLAN-PART A

PROJECT NO.	22012	DRAWING NO.	A102
SCALE -	AS NOTED	CHECKED -	IR
DRAWN -	DL	PLOTTED BY -	
PLOT DATE -	OCT/07/2022		

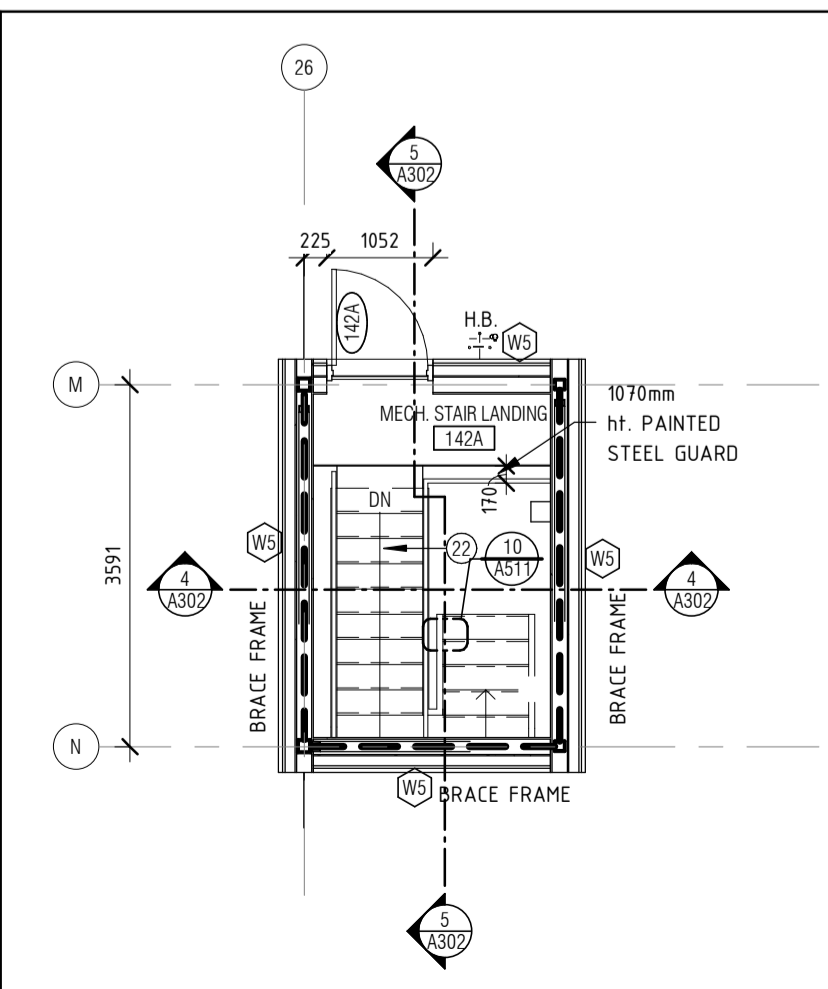
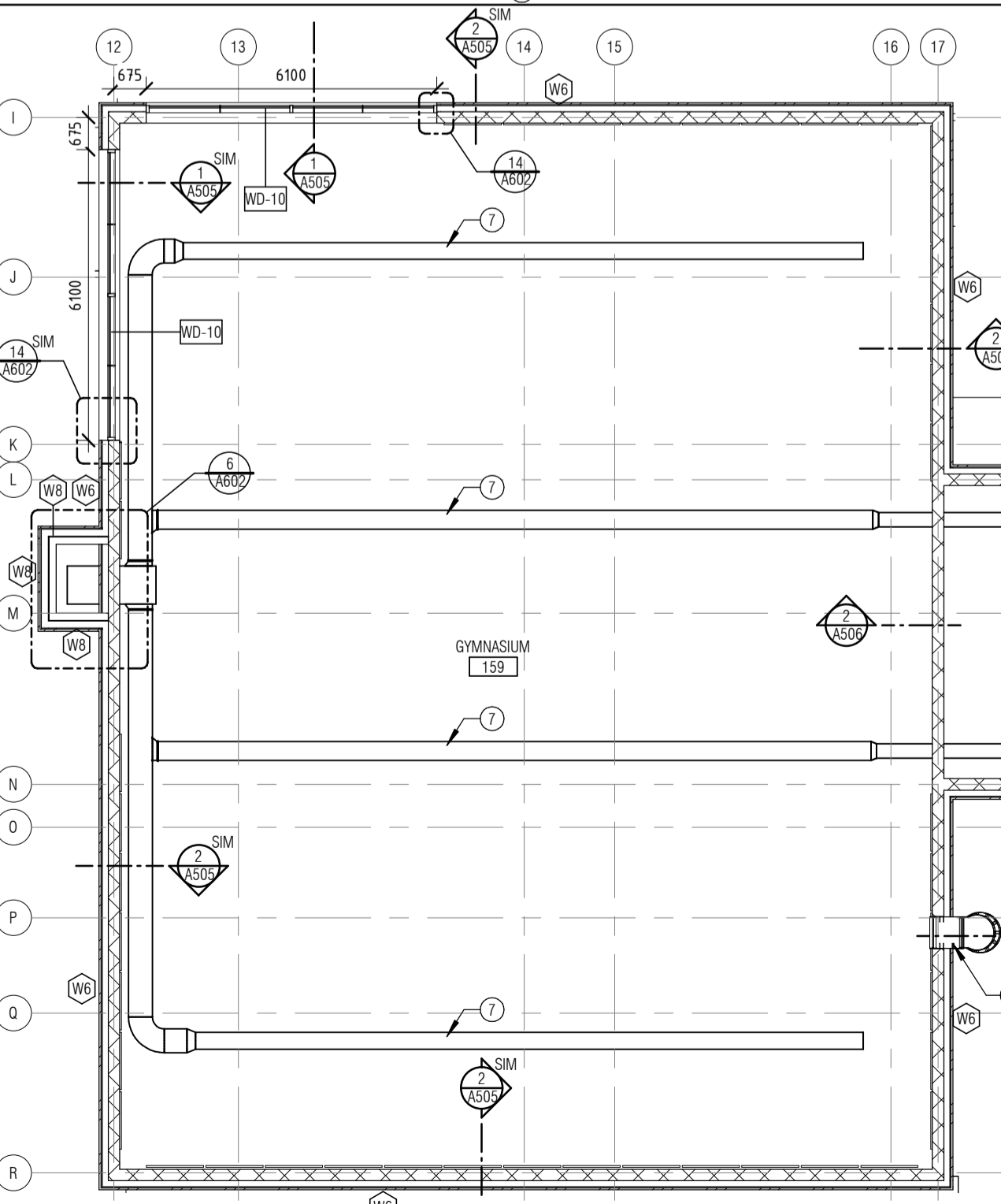
PLOT SCALE - 1:1

SHEET SIZE: A1

1 GROUND FLOOR PLAN - PART A
A102 1:125



- INTERIOR WALL ASSEMBLIES**
- ST. STUD GYP. CORRIDOR WALL**
 - 16mm GYPSUM BOARD ABUSE RESISTANT ON CORRIDOR SIDE TO 1220 A.F.F., 16mm GYPSUM BOARD ABOVE
 - 92mm STEEL STUDS AT 400mm O.C. MAX
 - 76mm SOUND ATTENUATION BATT INSULATION
 - 16mm GYPSUM BOARD
 - WHERE FIRE RATED, USE ULC W453 & 16mm TYPE X GYPSUM BOARD FULL HT.
 - TARE & FILL JOINTS ABOVE CEILING WHERE FIRE RATED
 - FIRE STOP ALL PERIMETERS AND PENETRATIONS WITH ULC LISTED ASSEMBLIES TO ULC 407
 - EXTEND PARTITION TO US STRUCTURE
 - FULL HT. ST. STUD GYP. CORRIDOR PLUMBING WALL**
 - SAME AS WALL TYPE 1 W
 - 152mm STEEL STUDS AT 400mm O.C. MAX
 - FULL HT. ST. STUD GYP. WALL - CLASSROOM/OFFICE**
 - 16mm GYPSUM BOARD
 - 92mm STEEL STUDS AT 400mm O.C. MAX
 - 64mm STEEL STUDS AT 400mm O.C. MAX
 - EXTEND PARTITION FULL HEIGHT
 - SOUND ATTENUATION BATT INSULATION AROUND RWL ENCLOSURE
 - WHERE FIRE RATED, USE ULC W453 & 16mm TYPE X GYPSUM BOARD FULL HT.
 - TARE & FILL JOINTS ABOVE CEILING WHERE FIRE RATED
 - FIRE STOP ALL PERIMETERS AND PENETRATIONS WITH ULC LISTED ASSEMBLIES TO ULC 407
 - EXTEND PARTITION TO US STRUCTURE
 - FULL HT. ST. STUD GYP. PLUMBING WALL - CLASSROOM/OFFICE**
 - SAME AS WALL TYPE 2 W
 - 152mm STEEL STUDS AT 400mm O.C. MAX
 - CEILING HT. WALL**
 - 16mm GYPSUM BOARD
 - 92mm STEEL STUDS AT 400mm O.C. MAX
 - 76mm SOUND ATTENUATION BATT INSULATION
 - EXTEND PARTITION FULL HEIGHT
 - EXTEND PARTITION TO US OF STRUCTURE ABOVE & GYPSUM TO 150mm ABOVE FINISHED CEILING
 - TYPICAL FURRED WALL**
 - 16mm GYPSUM BOARD
 - 92mm STEEL STUDS AT 400mm O.C. MAX
 - 64mm STEEL STUDS AT 400mm O.C. MAX
 - 76mm SOUND ATTENUATION BATT INSULATION
 - EXTEND PARTITION FULL HEIGHT
 - TYPICAL CURVED WALL - 2 SIDES**
 - (3) LAYERS 6mm FLEX GYPSUM BOARD
 - 92mm 20 GAUGE STEEL STUDS AT 230mm O.C. MAX
 - 92mm SOUND ATTENUATION BATT INSULATION
 - (3) LAYERS 6mm FLEX GYPSUM BOARD
 - EXTEND 3 LAYERS TO 150mm ABOVE CEILING, 1 LAYER FULL HEIGHT
 - TYPICAL CURVED WALL AT COLUMN**
 - SAME AS WALL TYPE 5 W
 - GYPSUM ONLY ONE SIDE
 - 90mm CONCRETE BLOCK**
 - EXTEND PARTITION FULL HEIGHT
 - 140mm CONCRETE BLOCK w/ ULC ASSEMBLIES**
 - WHERE 1 HR. FIRE RATED, FIRE STOP FULL PERIMETERS & PENETRATIONS WITH ULC LISTED ASSEMBLIES
 - EXTEND PARTITION FULL HEIGHT
 - 190mm CONCRETE BLOCK w/ ULC ASSEMBLIES**
 - WHERE 1 HR. FIRE RATED, FIRE STOP FULL PERIMETERS & PENETRATIONS WITH ULC LISTED ASSEMBLIES
 - EXTEND PARTITION FULL HEIGHT
 - 240mm CONCRETE BLOCK w/ ULC ASSEMBLIES**
 - WHERE 1 HR. FIRE RATED, FIRE STOP FULL PERIMETERS & PENETRATIONS WITH ULC LISTED ASSEMBLIES
 - EXTEND PARTITION FULL HEIGHT
- FIN WALL CORRIDOR**
- 16mm ABUSE RESISTANT GYPSUM BOARD
 - 152mm STEEL STUDS AT 400mm O.C. MAX, c/w 64x64 HSS @ 1200 O.C.
 - 16mm ABUSE RESISTANT GYPSUM BOARD
 - EXTEND STUD TO 1800mm ABOVE FINISHED FLOOR c/w SOLID WOOD CAP - REFER TO MILLWORK DRAWING
- FURRED WALL**
- 16mm GYPSUM BOARD
 - 41mm STEEL STUDS AT 400mm O.C. MAX
 - SOUND ATTENUATION BATT INSULATION AROUND RWL ENCLOSURE
 - 16mm LAMINATED GYPSUM BOARD
- FURRED WALL**
- 16mm GYPSUM BOARD (ABUSE RESISTANT ON CORRIDOR SIDE TO 1220 A.F.F. WHERE APPLICABLE)
 - 64mm STEEL STUDS AT 400mm O.C. MAX
 - EXTEND PARTITION FULL HEIGHT
 - SOUND ATTENUATION BATT INSULATION AROUND RWL ENCLOSURE
- FURRED WALL**
- 16mm GYPSUM BOARD
 - 92mm STEEL STUDS AT 400mm O.C. MAX
- SHAFT WALL**
- 16mm TYPE X GYPSUM BOARD
 - 64mm C-STEEL STUDS 25 ga. @ 400mm O.C. MAX
 - 25mm LINER PANEL
- FLOOR PLAN NOTES**
- OPERABLE WALL c/w WHITE BOARD AND DOOR, SEE DOOR SCHEDULE
 - SUSPENDED GYM CURTAIN ABOVE
 - HALF WALL W/ BUILT-IN SHELVING AND BENCH
 - METAL SECURITY GRILLE, SEE DOOR SCHEDULE
 - 16mm GYPSUM BOARD
 - H.M. DOOR FRAME w/ MAGLOCK HOLDER, SEE ELECTRICAL
 - PROVIDE WALL MOUNTED SIGN w/ DEEP FRYING IS PERMITTED ON THIS EQUIPMENT
 - EXPOSED DUCT WORK ABOVE, SEE MECHANICAL
 - THEATRE CURTAIN
 - HEALTH ROOM BED - N.I.C.
 - CANOPY ABOVE
 - BULKHEAD ABOVE
 - 55" MONITOR - N.I.C. PROVIDE POWER & DATA, BELOW CEILING HEIGHT, SEE ELECTRICAL
 - PRINTER - N.I.C.
 - P.A. SYSTEM, SEE ELECTRICAL
 - SLOP SINK, SEE MECHANICAL
 - ACCORDION DOOR
 - DOUBLE HEIGHT LOCKER, SEE SPEC.
 - PLATFORM LIFT
 - 3800 WIDE PROJECTION SCREEN ABOVE
 - GALVANIZED STEEL COLUMN
 - WASHROOM GATE, SEE DETAIL 16/A710
 - STEEL STAIR
 - DRINKING FOUNTAIN IN KINDERGARTEN MOUNTED AT 600mm A.F.F.
 - LAVATORY IN KINDERGARTEN MOUNTED AT 600mm A.F.F.
 - ROOF ACCESS LADDER c/w CADE
 - WALL MOUNTED ACOUSTIC PANEL - 1200mm X 2400mm & PLACED 600mm APART, TYP.
 - LINE UP & SPACE EQUALLY w/ PHONE, CARD READER & AUTO DOOR OPERATOR @ 1000mm HT
 - ENCLOSURE FOR TEMPORARY GENERATOR OUTLET - SEE ELECTRICAL SPRAY FOAM & CAULK @ PENETRATION
 - GYM P.A. c/w PRE-MANUFACTURED CABINET - SEE ELECTRICAL
 - MECHANICAL EQUIPMENT, SEE MECH.
 - 2000mm (W x) 1200mm (D) x 100mm (H) HOUSEKEEPING SLAB
 - UNDERSTAGE DOLLY - 4 @ 3600mm LONG
 - OPERABLE WALL
 - FIRE SHUTTER ABOVE



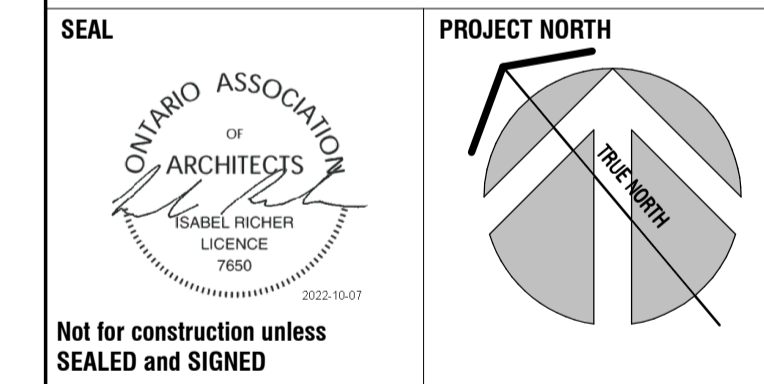
FLOOR PLAN LEGEND

- ROOM NAME
[PT028]
- ROOM NUMBER
[XX]
- DOOR NUMBER - SEE DOOR SCHEDULE
- WALL TYPES - SEE WALL SCHEDULE
- PARTITION TYPES - SEE WALL SCHEDULE
- DRAWING NOTE
- CORNER GUARD
- B.N. BULLNOSE - CONCRETE BLOCK
- F.D. FLOOR DRAIN
- F.O. FLOOR OUTLET - SEE ELECTRICAL
- C.R. CARD READER
- A.P. A.I. PHONE
- F.F. FORCE FLOW HEATER - SEE ELEC.
- E.P. ELECTRICAL PANEL - SEE ELEC.
- F.E. FIRE EXTINGUISHER - RECESSED/SURFACE MOUNT - SEE MECH.
- H.B. HOSE BIB CONNECTION - SEE MECH.
- L. PUSH TO LOCK BUTTON, 1000mm A.F.F.
- A. AUTODOOR OPERATOR - MOUNTED 600mm MIN. FROM LATCH SIDE OF DOOR, 1000mm A.F.F.
- E. EMERGENCY BUTTON C/W BILINGUAL SIGN: "IN THE EVENT OF AN EMERGENCY PUSH EMERGENCY BUTTON AND AUDIBLE AND VISUAL SIGNAL WILL ACTIVATE FOR ASSISTANCE" (LETTERS TO BE 25mm HT / W/ 5mm STROKE)
- W.B. X.X 1.2m HT. X LENGTH WHITEBOARD
- T.B. X.X 1.2m HT. X LENGTH TACKBOARD
- T.B. 2.4/M 2.4m WIDE X 2m HT. TACKBOARD/MIRROR COMBO
- P.J. PANEL JOINT
- C. CLOCK, BY OWNER
- RWL RAIN WATER LEADER
- G.M. GAS METER - SEE MECHANICAL
- H.O. DOOR HOLD OPEN DEVICE
- F.D.C. FIRE DEPARTMENT CONNECTION
- KC KEY CABINET, RECESSED INSTALLATION, SEE SPEC.

NO	ISSUED FOR	DATE
3	ISSUED FOR SITE PLAN CONTROL	OCT/07/2022
2	ISSUED FOR 85% DRAWINGS & SPECS FOR COST ESTIMATE	SEP/23/2022
1	ISSUED FOR 80% REVIEW/CLASS A COST ESTIMATE	AUG/25/2022
REV	REVISION DESCRIPTION	DATE

THIS DRAWING IS THE EXCLUSIVE PROPERTY OF P & R ARCHITECTS INC. COPYRIGHT RESERVED

CONTRACTOR TO VERIFY ALL DIMENSIONS AND NOTIFY THE ARCHITECT OF ANY DIMENSIONAL ERRORS AND/OR POSSIBLE TRADE INTERFERENCE/CONFLICT FOR CLARIFICATION PRIOR TO COMMENCEMENT OF THE WORK. DO NOT SCALE DRAWINGS.



P R PYE & RICHARDS -
T Y TEMPRANO & YOUNG
ARCHITECTS INC.

824 Meath St. Suite 200 613. 724. 7700
Ottawa, ON K1Z 6E8 info@prty.ca

PROJECT
OCSB FINDLAY CREEK CATHOLIC
ELEMENTARY SCHOOL

4140 KELLY FARM DRIVE OTTAWA, ONTARIO

DRAWING
GROUND FLOOR PLAN-PART B

PROJECT NO.	22012	DRAWING NO.	A103
SCALE -	AS NOTED		
DRAWN -	DL		
CHECKED -	IR		
PLOT DATE -	OCT/07/2022	PLOTTED BY -	

SHEET SIZE: A1

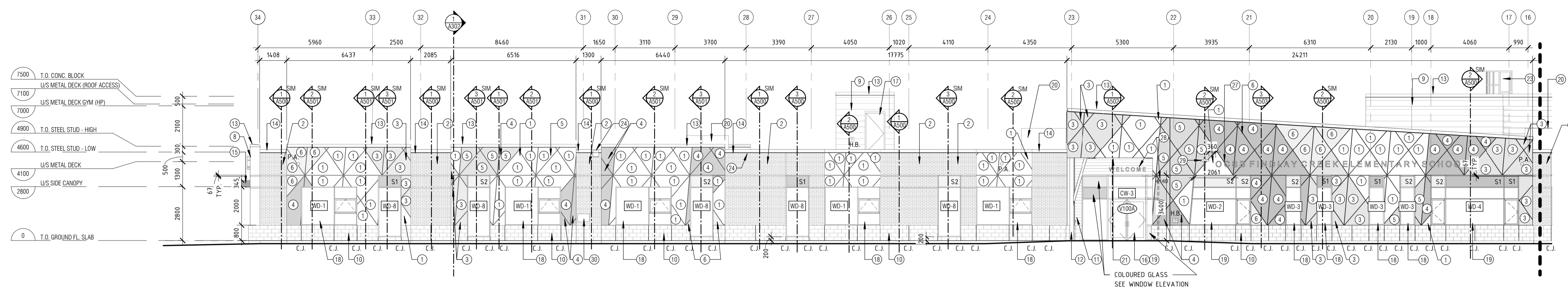


OTTAWA CATHOLIC SCHOOL BOARD

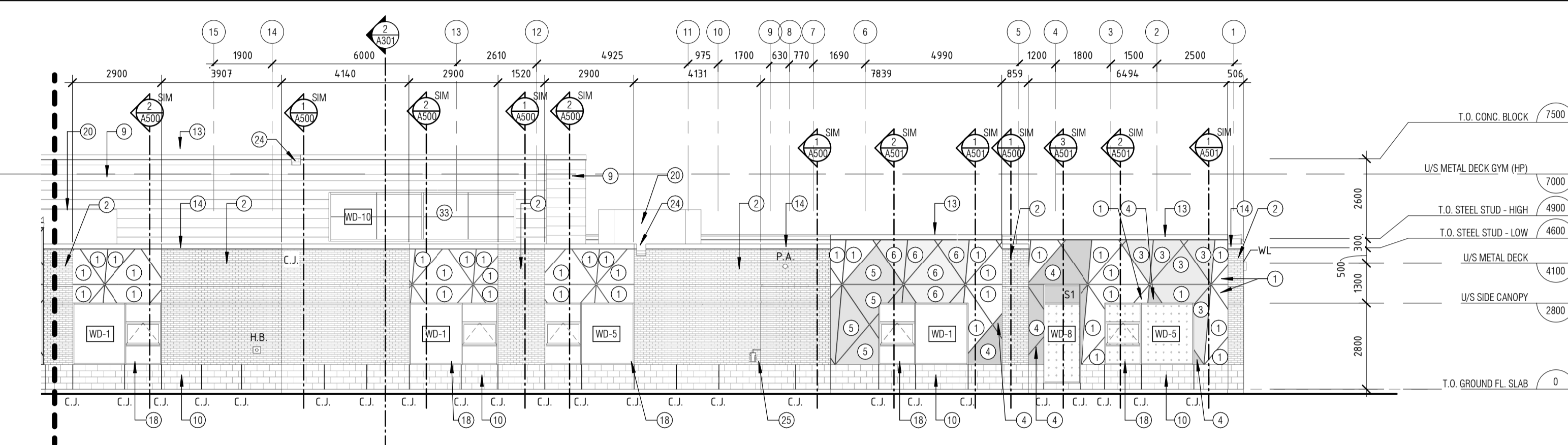
570 WEST HUNT CLUB, NEPEAN, ON. (613)-224-4455

ELEVATION NOTES

- 1 HIGH PRESSURE LAMINATE - FINISH 1 (OFF-WHITE)
- 2 GREY BRICK - FINISH 2
- 3 HIGH PRESSURE LAMINATE - FINISH 3 (ORANGE)
- 4 HIGH PRESSURE LAMINATE - FINISH 4 (GREY)
- 5 HIGH PRESSURE LAMINATE - FINISH 5 (RED)
- 6 HIGH PRESSURE LAMINATE - FINISH 6 (YELLOW)
- 7 RESERVE
- 8 SIGNAGE (CASH ALLOWANCE)
- 9 PRE-FINISHED HORIZONTAL METAL CLADDING - FINISH 9
- 10 CONCRETE BLOCK - FINISH 10
- 11 ALUMINUM HORIZONTAL CLADDING - FINISH 11 (WOOD TEXTURE)
- 12 GALVANIZED STEEL COLUMN - FINISH 12
- 13 PRE-FINISHED METAL FLASHING - FINISH 13 (TO MATCH WHITE LAMINATE PANEL)
- 14 PRE-FINISHED METAL FLASHING - FINISH 14 (TO MATCH GREY BRICK)
- 15 HIGH PRESSURE LAMINATE - FINISH 15 (WHITE)
- 16 ALUMINUM ENTRANCE FRAMING
- 17 PRESSED STEEL FRAME (PAINTED) & HOLLOW METAL DOOR
- 18 ALUMINUM WINDOW FRAMING
- 19 ALUMINUM CURTAIN WALL FRAMING
- 20 ROOF TOP UNIT - SEE MECH.
- 21 ALUMINUM SOFFIT (WOOD TEXTURE)
- 22 RESERVE
- 23 ROOF ACCESS LADDER C/W CAGE
- 24 SCUPPER (PRE-FINISHED METAL)
- 25 GAS METER - SEE MECHANICAL
- 26 AIR INTAKE WALL BOX - SEE MECHANICAL
- 27 300mm HT. CLEAR ANODIZED LETTERING - SEE CASH ALLOWANCE
- 28 200mm HT. CLEAR ANODIZED LETTERING - SEE CASH ALLOWANCE
- 29 BACK LIT CROSS - SEE ELECTRICAL
- 30 ENCLOSURE FOR TEMPORARY GENERATOR OUTLET - SEE ELECTRICAL
- 31 SPRAY FOAM & CAULK @ PENETRATION
- 32 LINE UP & SPACE EQUALL. A.PHONE, CARD READER & AUTO DOOR OPERATOR @ 1000mm HT.
- 33 INTAKE LOUVER - SEE MECH. COLOUR TO MATCH CEDAR WOOD FINISH.
- 34 ALUMINUM FRAMING WITH TRANSLUCENT GLAZING PANEL

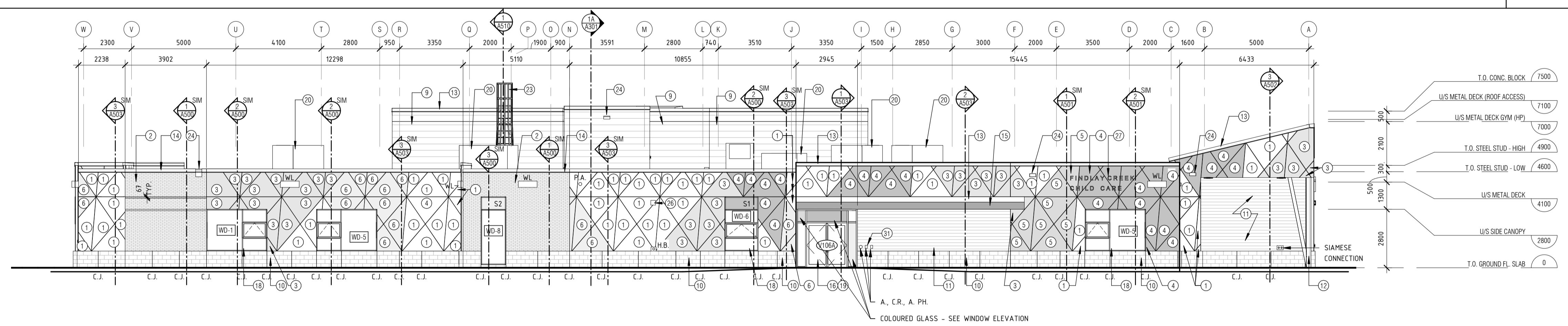


1A NORTH ELEVATION-PART A
A201 1:125

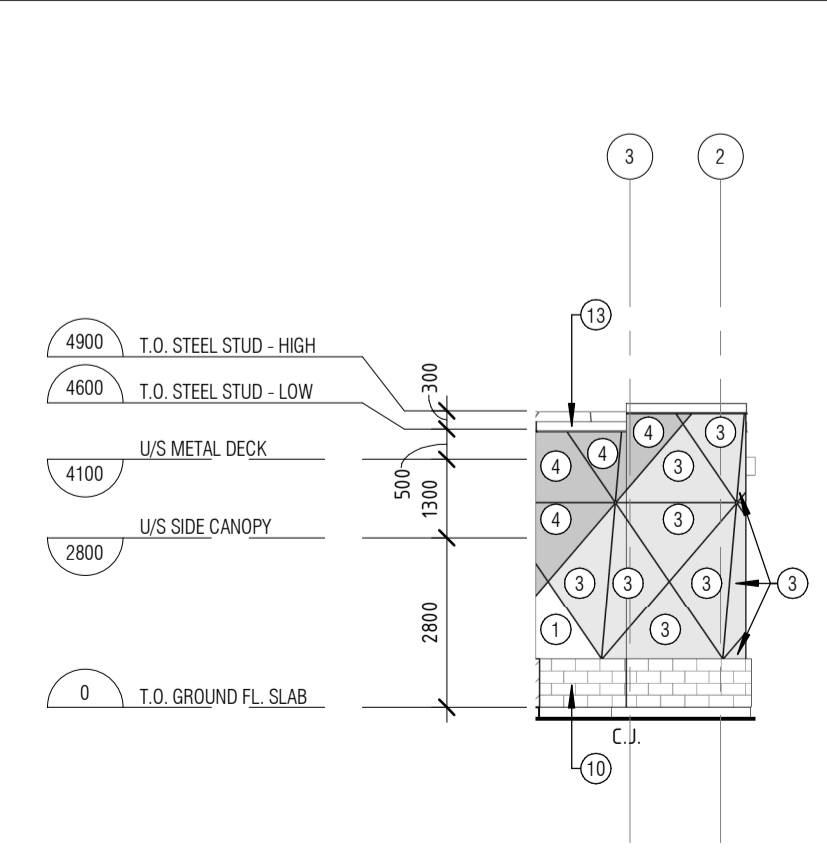


1B NORTH ELEVATION-PART B
A201 1:125

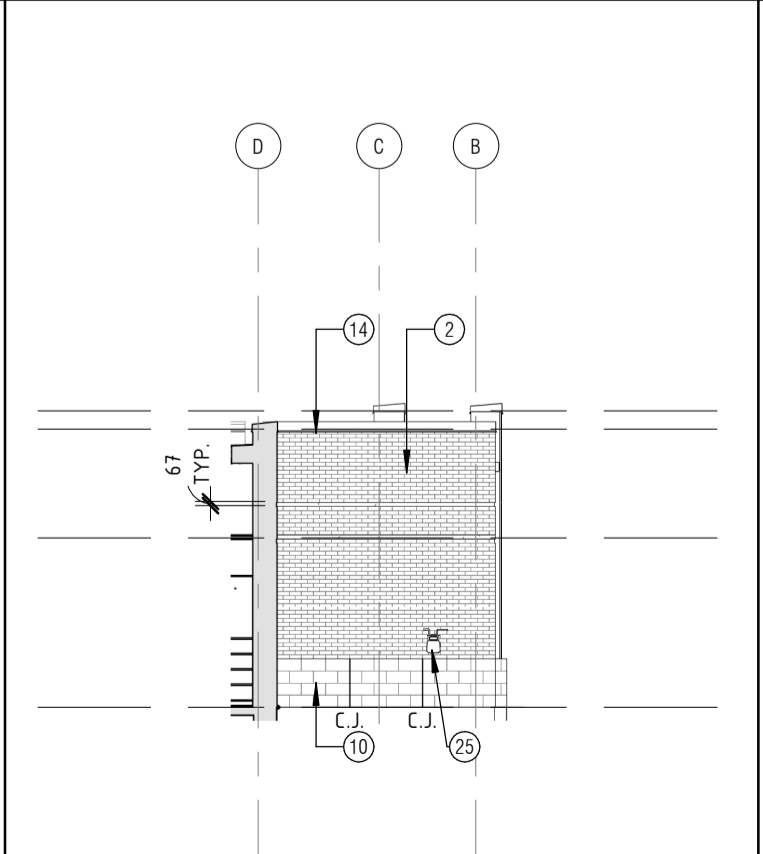
- ELEVATION LEGEND**
- WL WALL MOUNT LIGHT FIXTURE @ 3800mm
 - 25mm LAMINATE PANEL REVEAL (TYP.)
 - 67mm CONTINUOUS RECESSED BRICK BAND
 - S1 SPANDREL PANEL - COLOUR 1
 - S2 SPANDREL PANEL - COLOUR 2
 - C.J. CONTROL JOINT
-MAX. 6.1m @ BRICK
-MAX. 1.6m @ ARCH. BLOCK
 - P.A. P.A. HORN - SEE ELECT.
MOUNT @ 4000mm
 - H.B. HOSE BIB CONNECTION - SEE MECHANICAL
 - A. AUTO OPERATOR
 - C.R. CARD READER
 - A.P.H. AI PHONE
 - BIRD SAFE GLASS



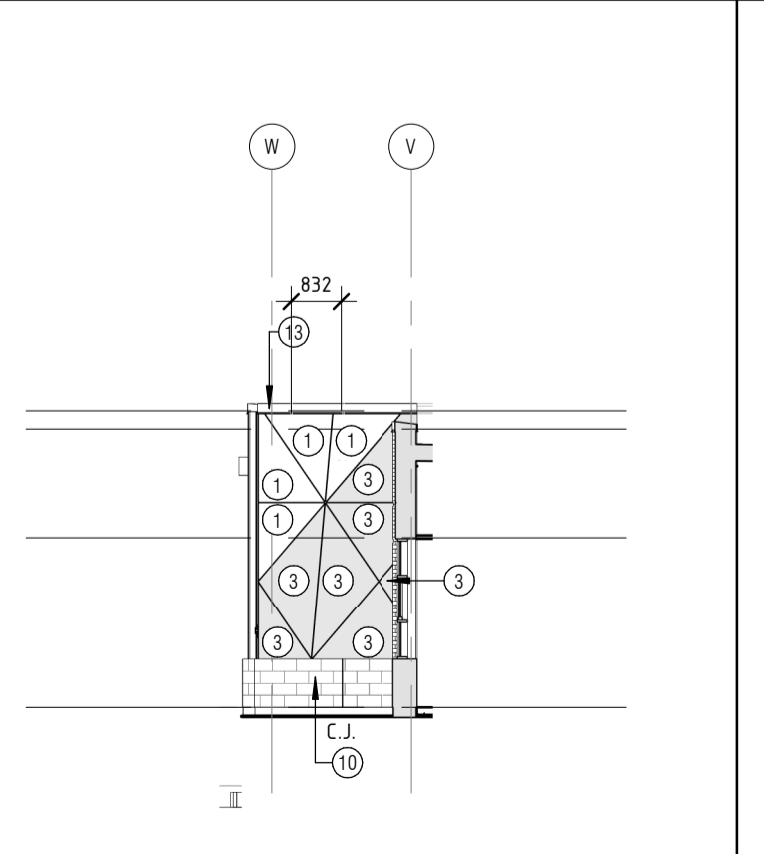
2 EAST ELEVATION
A201 1:125



3 PARTIAL NORTH ELEVATION 1
A201 1:125



4 PARTIAL EAST ELEVATION 1
A201 1:125



1 PARTIAL EAST ELEVATION 2
A201 1:125

3	ISSUED FOR SITE PLAN CONTROL	OCT/07/2022
2	ISSUED FOR 85% DRAWINGS & SPECS FOR COST ESTIMATE	SEP/23/2022
1	ISSUED FOR 80% REVIEW/CLASS A COST ESTIMATE	AUG/25/2022
REV	REVISION DESCRIPTION	DATE

THIS DRAWING IS THE EXCLUSIVE PROPERTY OF PYE & RICHARDS - TEMPRANO & YOUNG ARCHITECTS INC. COPYRIGHT RESERVED

CONTRACTOR TO VERIFY ALL DIMENSIONS AND NOTIFY THE ARCHITECT OF ANY DIMENSIONAL ERRORS AND/OR POSSIBLE TRADE INTERFERENCE/CONFLICT FOR CLARIFICATION PRIOR TO COMMENCEMENT OF THE WORK. DO NOT SCALE DRAWINGS.

SEAL

PROJECT NORTH

P R PYE & RICHARDS -
T Y TEMPRANO & YOUNG
ARCHITECTS INC.

824 Meath St. Suite 200 613. 724. 7700
Ottawa, ON K1Z 6E8 info@prty.ca

PROJECT
OCSB FINDLAY CREEK CATHOLIC
ELEMENTARY SCHOOL

4140 KELLY FARM DRIVE OTTAWA, ONTARIO
DRAWING
BUILDING ELEVATIONS

PROJECT NO.	22012	DRAWING NO.	A201
SCALE -	AS NOTED		
DRAWN -	YC, DL		
CHECKED -	IR		
PLOT DATE -	OCT/07/2022	PLOTTED BY -	

SHEET SIZE: A1



OTTAWA CATHOLIC SCHOOL BOARD

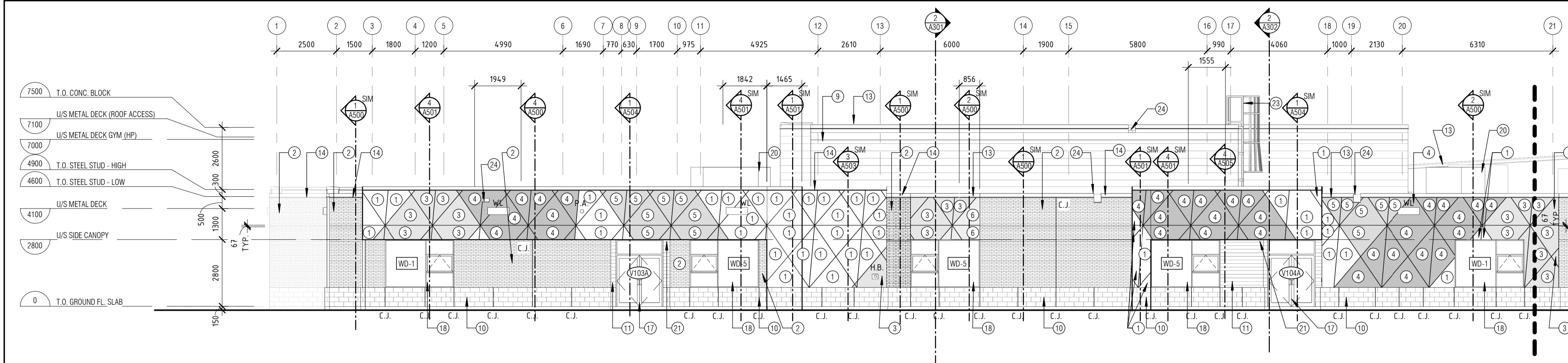
570 WEST HUNT CLUB, NEPEAN, ON. (613)-224-4455

ELEVATION NOTES

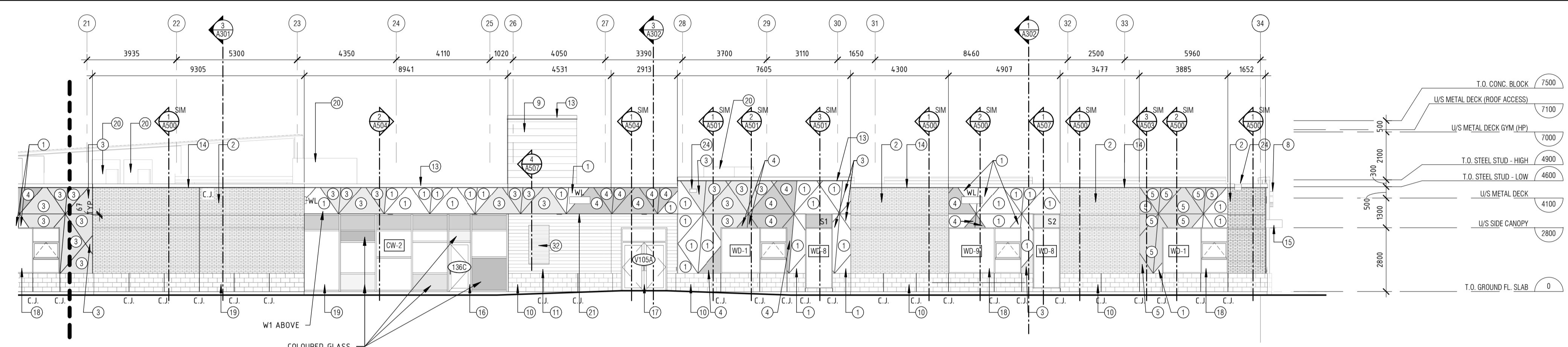
- 1 HIGH PRESSURE LAMINATE - FINISH 1 (OFF-WHITE)
- 2 GREY BRICK - FINISH 2
- 3 HIGH PRESSURE LAMINATE - FINISH 3 (ORANGE)
- 4 HIGH PRESSURE LAMINATE - FINISH 4 (GREY)
- 5 HIGH PRESSURE LAMINATE - FINISH 5 (RED)
- 6 HIGH PRESSURE LAMINATE - FINISH 6 (YELLOW)
- 7 RESERVE
- 8 SIGNAGE (CASH ALLOWANCE)
- 9 PRE-FINISHED HORIZONTAL METAL CLADDING - FINISH 9
- 10 CONCRETE BLOCK - FINISH 10
- 11 ALUMINUM HORIZONTAL CLADDING - FINISH 11 (WOOD TEXTURE)
- 12 GALVANIZED STEEL COLUMN - FINISH 12
- 13 PRE-FINISHED METAL FLASHING - FINISH 13 (TO MATCH WHITE LAMINATE PANEL)
- 14 PRE-FINISHED METAL FLASHING - FINISH 14 (TO MATCH GREY BRICK)
- 15 HIGH PRESSURE LAMINATE - FINISH 15 (WHITE)
- 16 ALUMINUM ENTRANCE FRAMING
- 17 PRESSED STEEL FRAME (PAINTED) & HOLLOW METAL DOOR
- 18 ALUMINUM WINDOW FRAMING
- 19 ALUMINUM CURTAIN WALL FRAMING
- 20 ROOF TOP UNIT - SEE MECH.
- 21 ALUMINUM SOFFIT (WOOD TEXTURE)
- 22 RESERVE
- 23 ROOF ACCESS LADDER CW CAGE
- 24 SCUPPER (PRE-FINISHED METAL)
- 25 GAS METER - SEE MECHANICAL
- 26 AIR INTAKE WALL BOX - SEE MECHANICAL
- 27 300mm HT. CLEAR ANODIZED LETTERING - SEE CASH ALLOWANCE
- 28 200mm HT. CLEAR ANODIZED LETTERING - SEE CASH ALLOWANCE
- 29 BACK LIT CROSS - SEE ELECTRICAL
- 30 ENCLOSURE FOR TEMPORARY GENERATOR OUTLET - SEE ELECTRICAL SPRAY FOAM & CAULK @ PENETRATION
- 31 LINE UP & SPACE EQUAL @ APHONE, CARD READER & AUTO DOOR OPERATOR @ 100mm HT.
- 32 INTAKE LOUVER - SEE MECH. COLOUR TO MATCH CEDAR WOOD FINISH.
- 33 ALUMINUM FRAMING WITH TRANSLUCENT GLAZING PANEL.

ELEVATION LEGEND

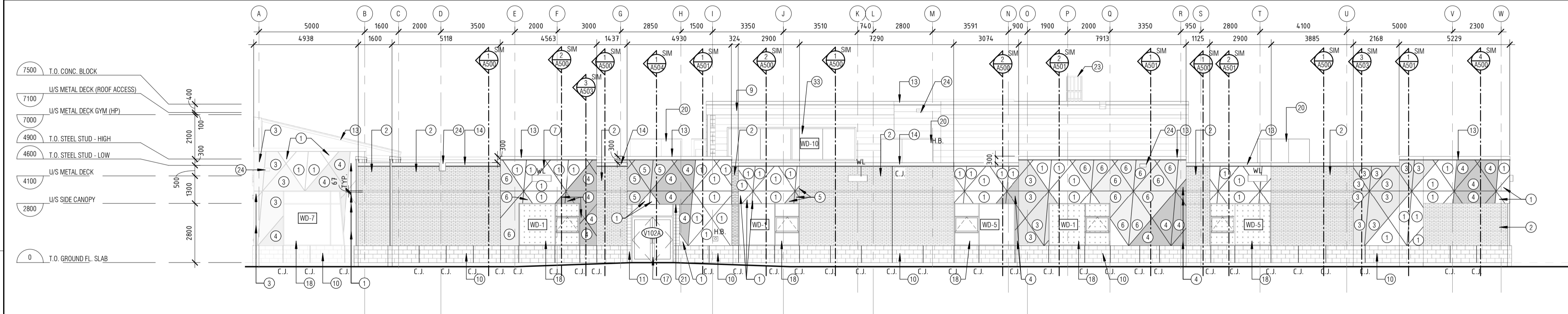
- WL WALL MOUNT LIGHT FIXTURE @ 3800mm
- 25mm LAMINATE PANEL REVEAL (TYP.)
- 67mm CONTINUOUS RECESSED BRICK BAND
- S1 SPANDREL PANEL - COLOUR 1
- S2 SPANDREL PANEL - COLOUR 2
- C.J. CONTROL JOINT
-MAX. 6.1m @ BRICK
-MAX. 1.6m @ ARCH. BLOCK
- P.A. P.A. HORN - SEE ELECT.
MOUNT @ 4000mm
- H.B. HOSE BIB CONNECTION - SEE MECHANICAL
- A. AUTO OPERATOR
- C.R. CARD READER
- A.P.H. AI PHONE
- BIRD SAFE GLASS



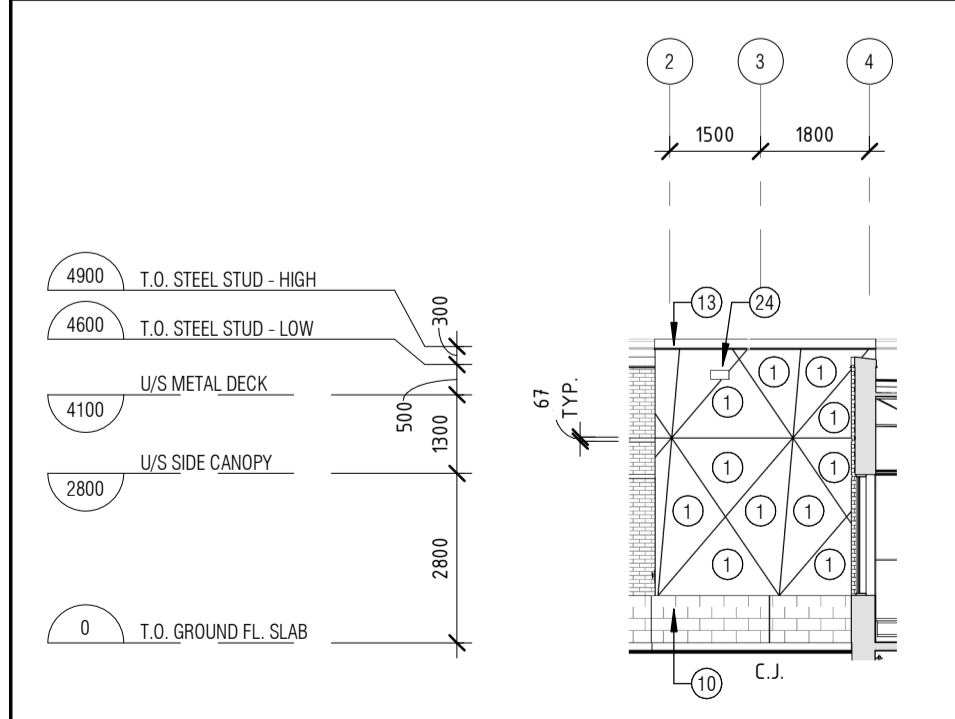
1A SOUTH ELEVATION-PART A
1:125



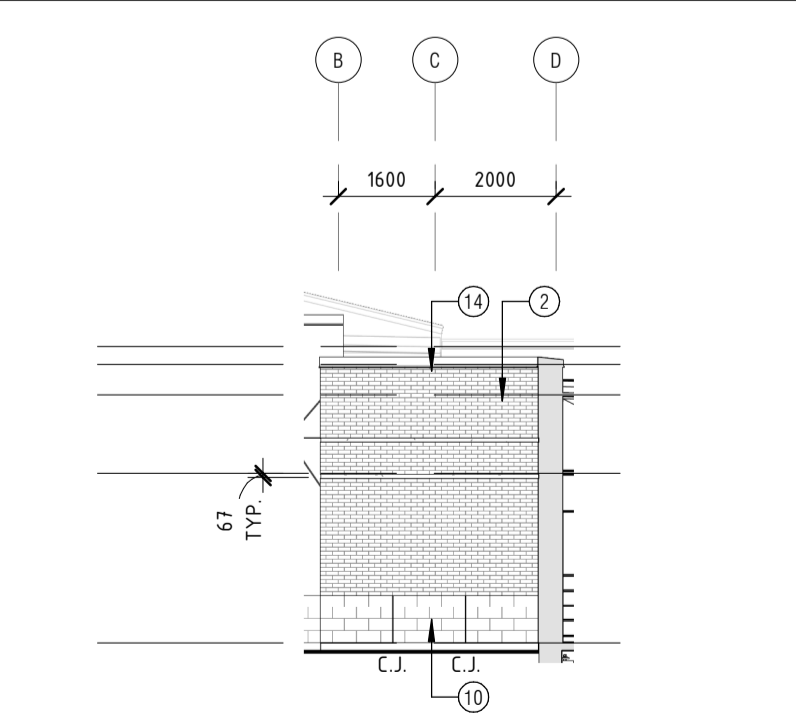
1B SOUTH ELEVATION-PART B
1:125



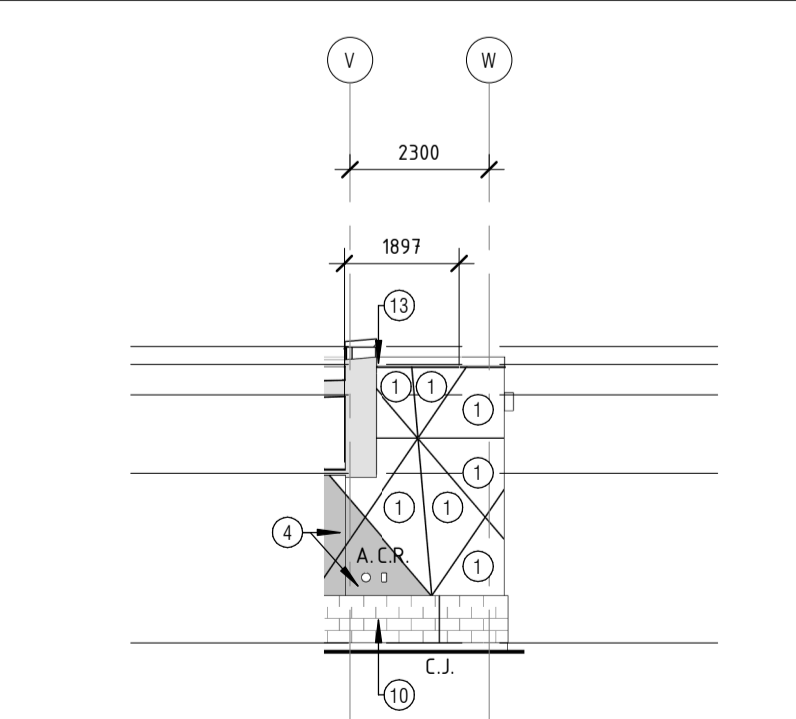
2 WEST ELEVATION
1:125



3 PARTIAL SOUTH ELEVATION 1
1:125



1 PARTIAL WEST ELEVATION 1
1:125



4 PARTIAL WEST ELEVATION 2
1:125

3	ISSUED FOR SITE PLAN CONTROL	OCT/07/2022
2	ISSUED FOR 85% DRAWINGS & SPECS FOR COST ESTIMATE	SEP/23/2022
1	ISSUED FOR 80% REVIEW/COST ESTIMATE	AUG/25/2022

REV	REVISION DESCRIPTION	DATE

THIS DRAWING IS THE EXCLUSIVE PROPERTY OF PYE & RICHARDS - TEMPRANO & YOUNG ARCHITECTS INC. COPYRIGHT RESERVED

CONTRACTOR TO VERIFY ALL DIMENSIONS AND NOTIFY THE ARCHITECT OF ANY DIMENSIONAL ERRORS AND/OR POSSIBLE TRADE INTERFERENCE/CONFLICT FOR CLARIFICATION PRIOR TO COMMENCEMENT OF THE WORK. DO NOT SCALE DRAWINGS.

Not for construction unless SEALED and SIGNED

P R PYE & RICHARDS -
T Y TEMPRANO & YOUNG
ARCHITECTS INC.

824 Meath St. Suite 200 613. 724. 7700
Ottawa, ON K1Z 6E8 info@prty.ca

PROJECT
OCSB FINDLAY CREEK CATHOLIC
ELEMENTARY SCHOOL

4140 KELLY FARM DRIVE OTTAWA, ONTARIO

DRAWING
BUILDING ELEVATIONS

PROJECT NO.	22012	DRAWING NO.	A202
SCALE -	AS NOTED		
DRAWN -	YC, DL		
CHECKED -	IR		
PLOT DATE -	OCT/07/2022		

SHEET SIZE: A1