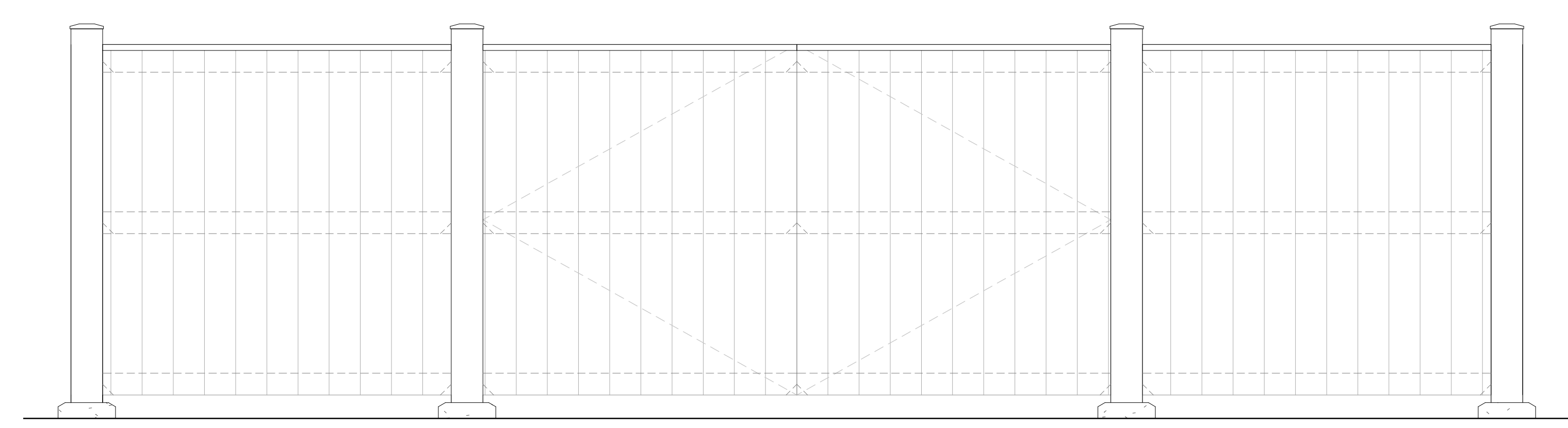
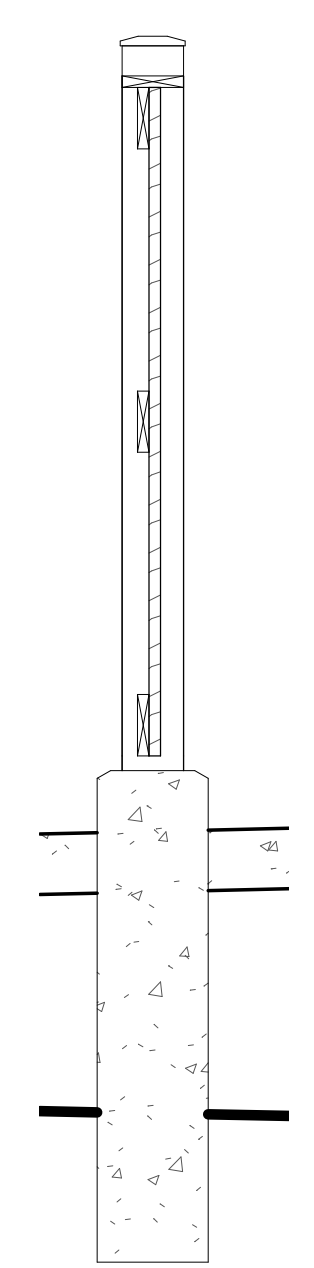


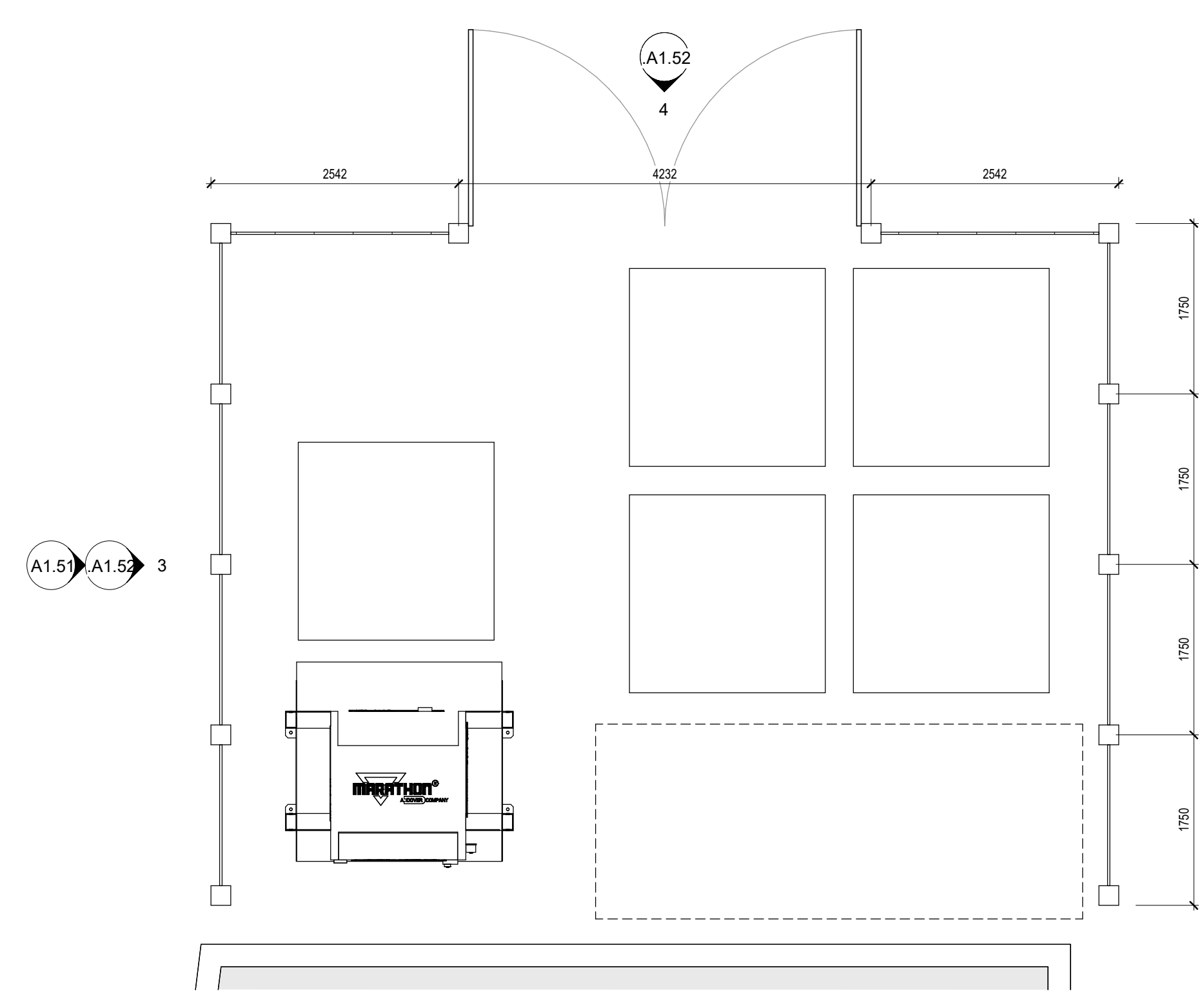
**3** SITE DETAIL - GARBAGE ENCLOSURE NORTH & SOUTH ELEVATION  
A1.52 1:25



**4** SITE DETAIL - GARBAGE ENCLOSURE EAST ELEVATION  
A1.52 1:25



**2** SITE DETAIL - GARBAGE ENCLOSURE SECTION DETAIL  
A1.52 1:25



**1** SITE DETAIL - GARBAGE ENCLOSURE ENLARGED PLAN  
A1.52 1:50

8 2022/08/19 RE-ISSUED FOR SITE PLAN CONTROL APPLICATION & ZONING BY-LAW AMENDMENT MSA  
# date: revision: by:  
revisions

All drawing and specifications are the property of the architect. The contractor shall verify all dimensions and information on site and report any discrepancy to architect before proceeding.

Arch Corp - Orleans

1161 OLD MONTREAL RD,  
ORLEANS ON, K4A 3N6

SITE DETAILS

scale: As indicated  
drawn by: Author  
reviewed by: Checker  
job number: 21024  
plot date: 21-08-27  
drawing number:

**.A1.52**