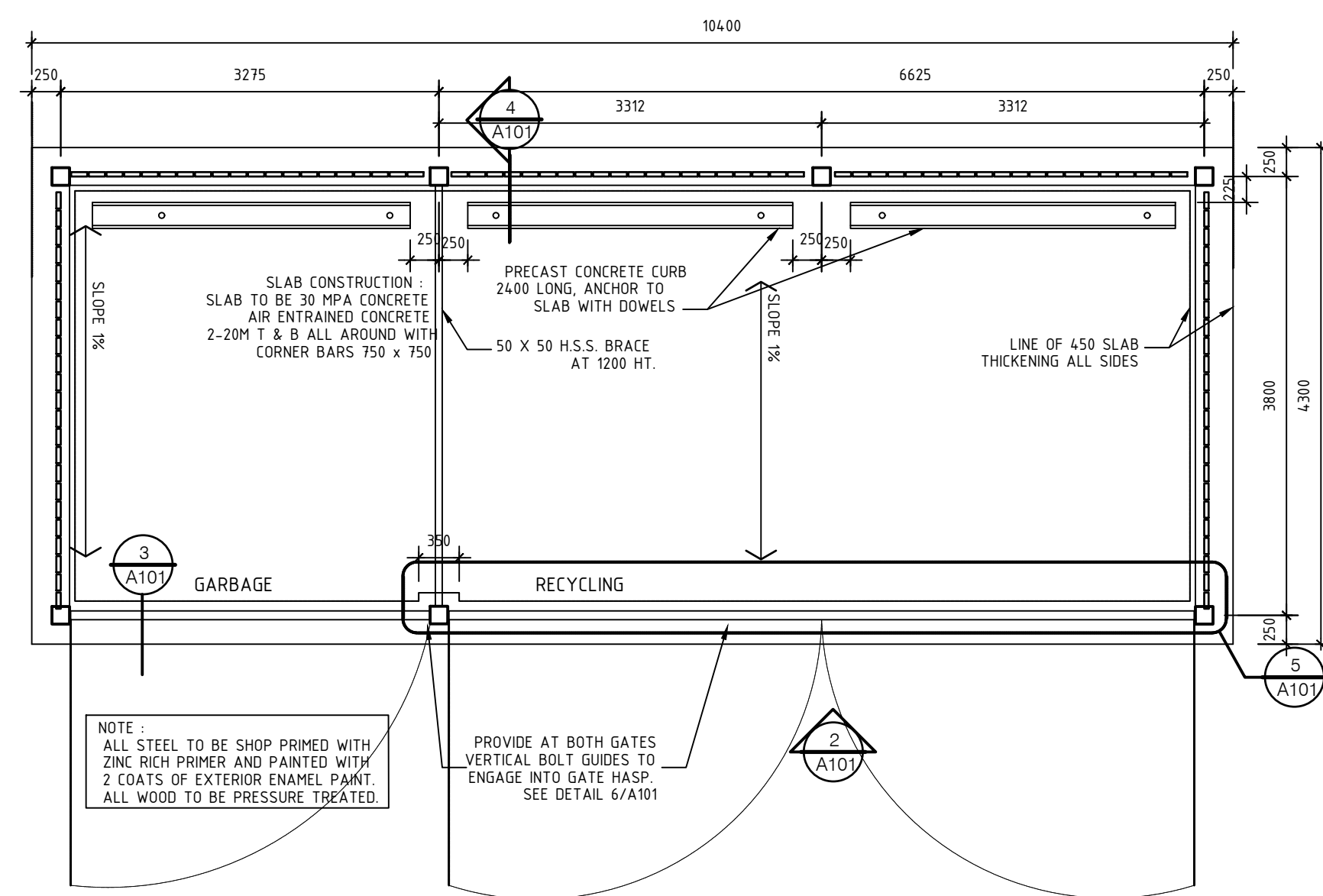


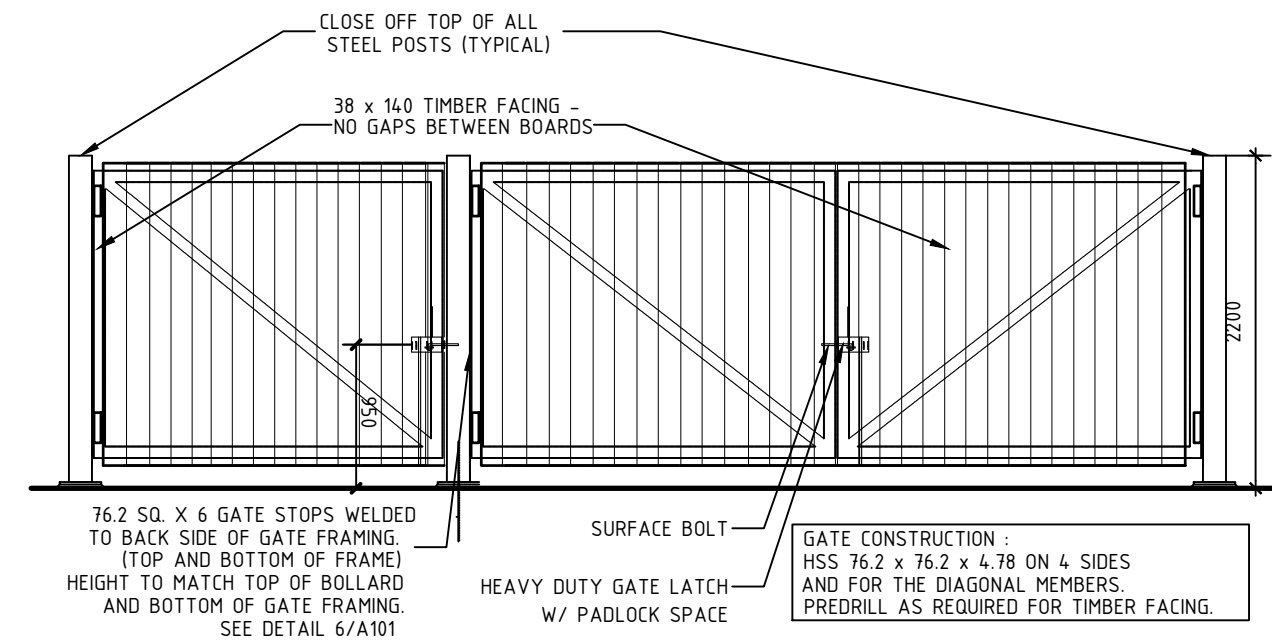


OTTAWA CATHOLIC SCHOOL BOARD

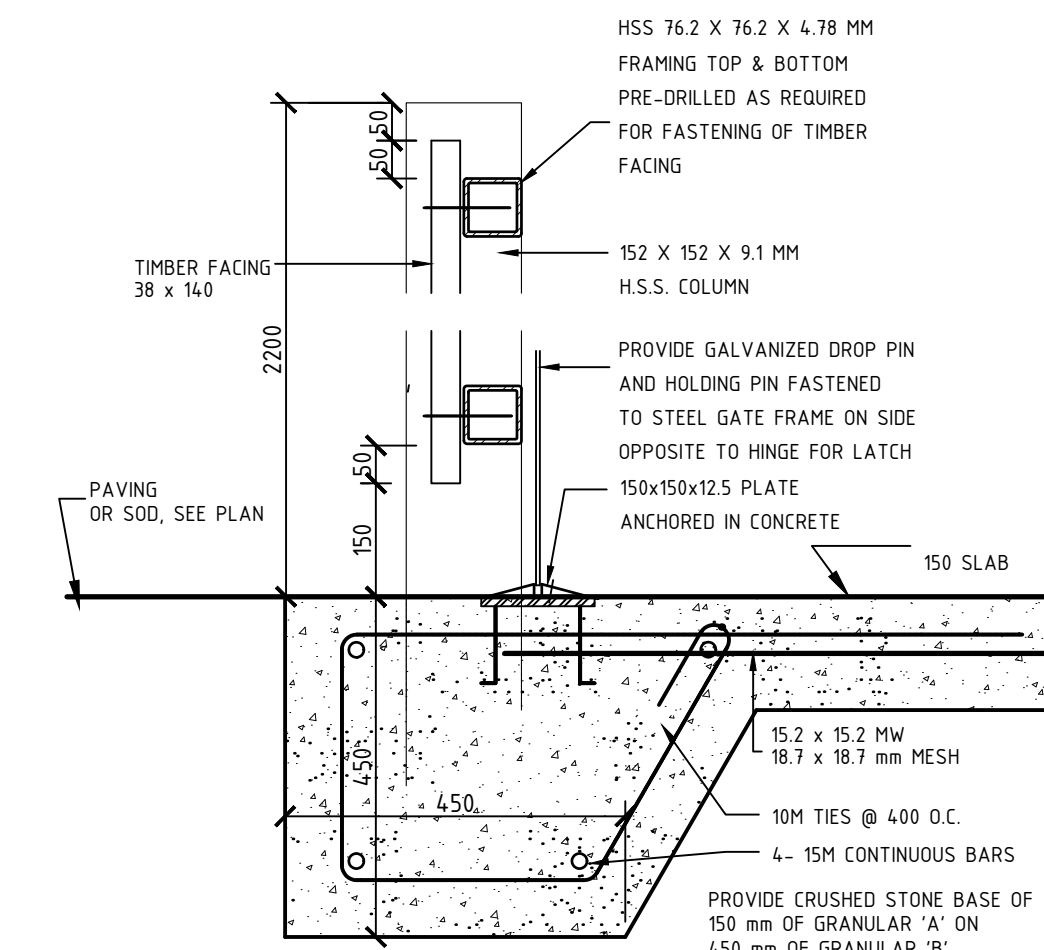
570 WEST HUNT CLUB ROAD, NEPEAN, ON, K2G 3K4 (613)224-4455



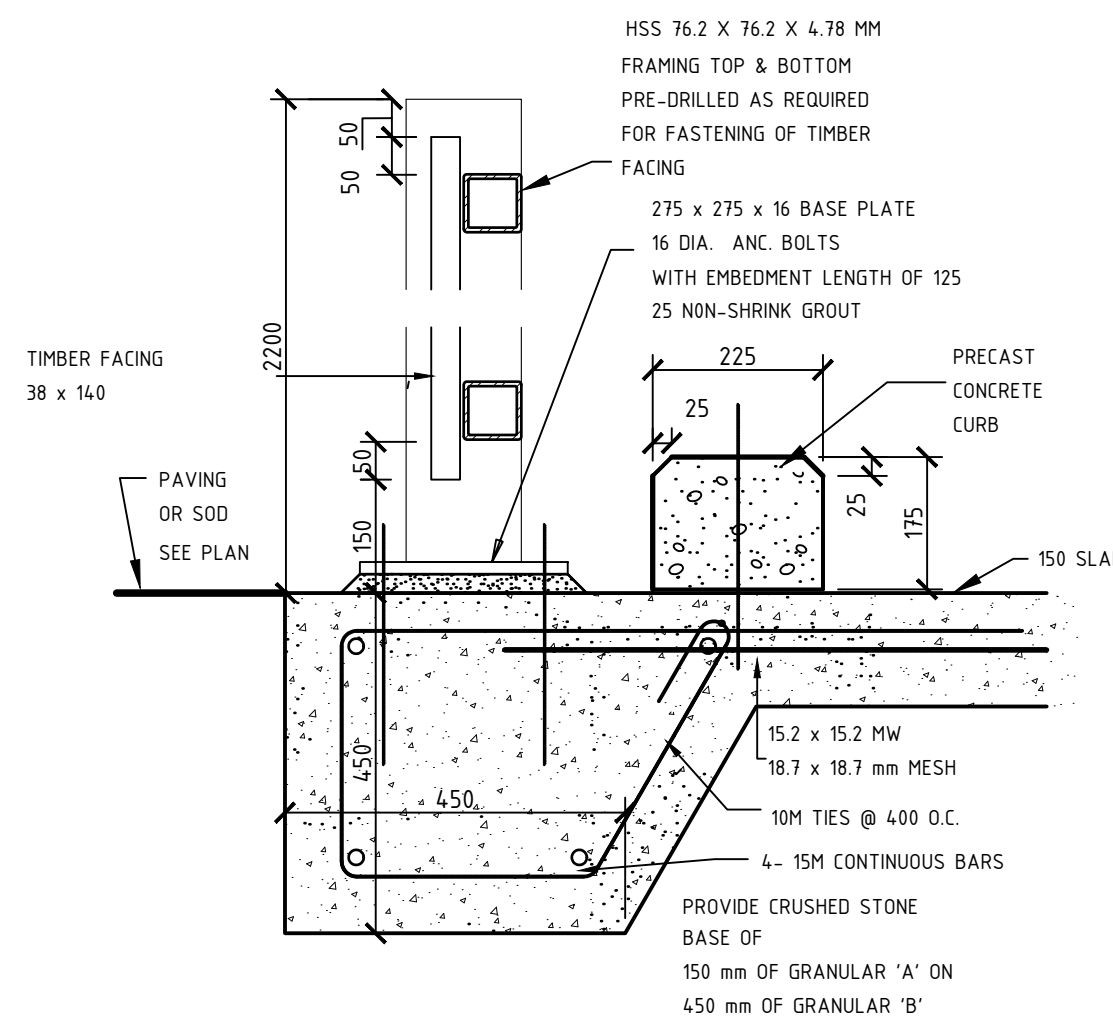
1 GARBAGE ENCLOSURE PLAN SCALE 1:50



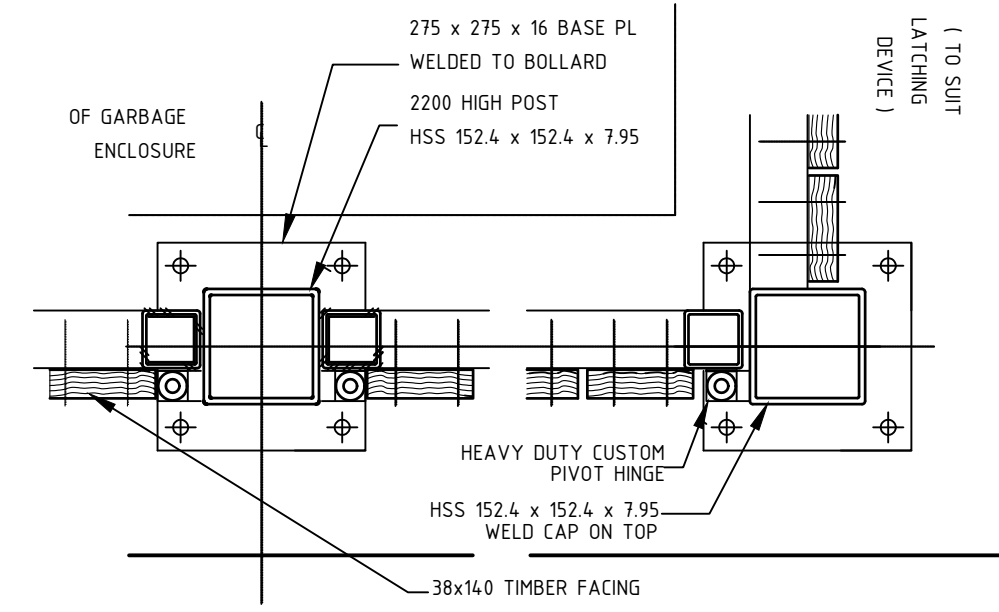
2 GARBAGE ENCLOSURE ELEVATION SCALE 1:50



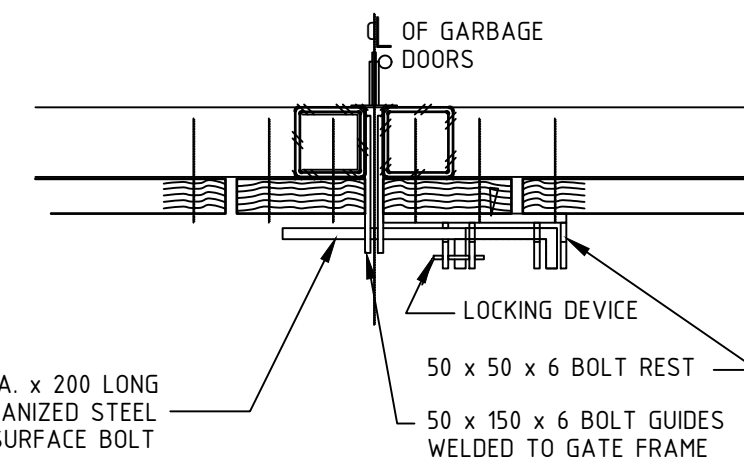
3 GARBAGE ENCLOSURE SECTION DETAIL SCALE 1:10



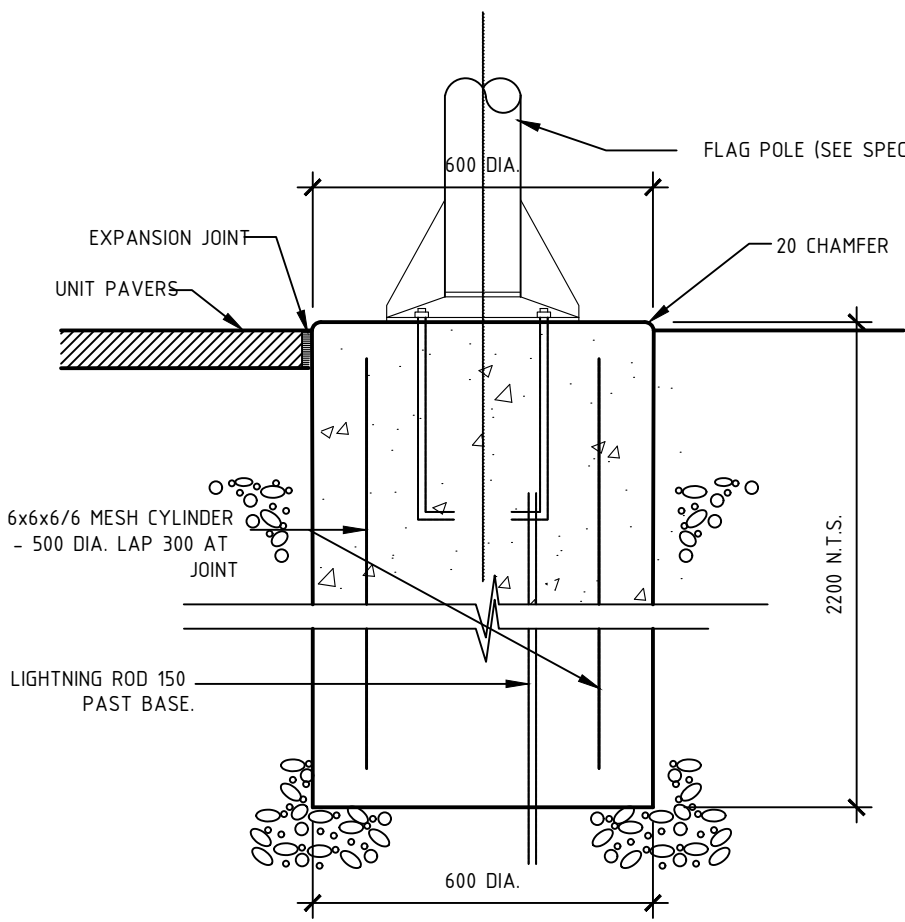
4 GARBAGE ENCLOSURE SECTION DETAIL SCALE 1:10



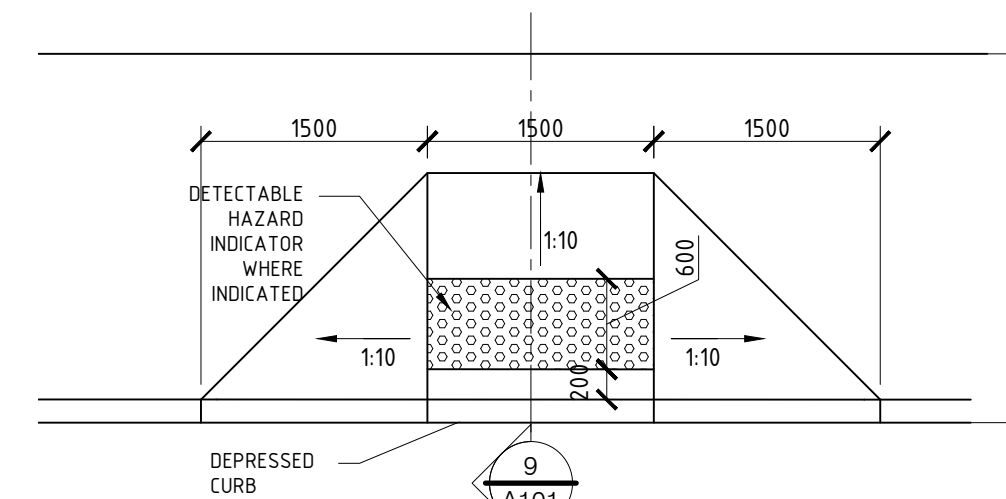
5 GARBAGE ENCLOSURE PLAN DETAIL SCALE 1:10



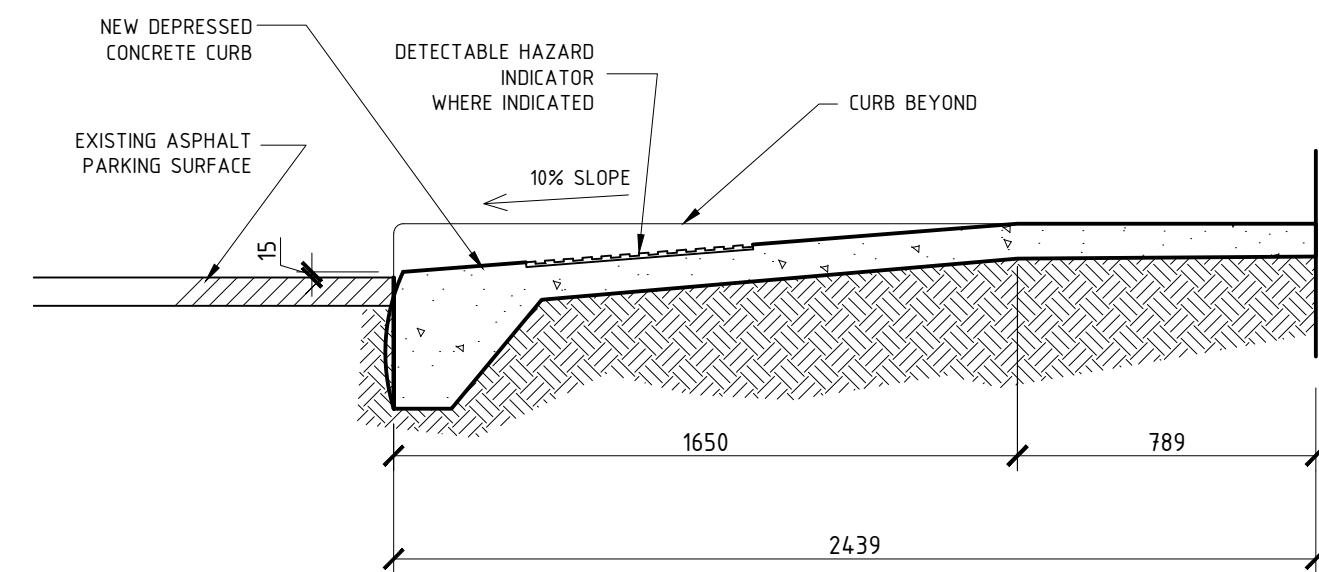
6 GARBAGE ENCLOSURE LATCH SECTION SCALE 1:10



7 FLAGPOLE BASE SECTION SCALE 1:20



8 DEPRESSED CURB PLAN DETAIL SCALE 1:50



9 DEPRESSED CURB SECTION DETAIL SCALE 1:10

REV	REVISION DESCRIPTION	DATE
3	ISSUED FOR SITE PLAN CONTROL COMMENTS	10/MAR/2022
2	ISSUED FOR 80%/CLASS A COST ESTIMATE	30/NOV/2021
1	ISSUED FOR SITE PLAN APPLICATION	23/NOV/2021

THIS DRAWING IS THE EXCLUSIVE PROPERTY OF PYE & RICHARDS - TEMPRANO & YOUNG ARCHITECTS INC. COPYRIGHT RESERVED

CONTRACTOR TO VERIFY ALL DIMENSIONS AND NOTIFY THE ARCHITECT OF ANY DIMENSIONAL ERRORS AND/OR POSSIBLE TRADE INTERFERENCE/CONFLICT FOR CLARIFICATION PRIOR TO COMMENCEMENT OF THE WORK. DO NOT SCALE DRAWINGS.

SEAL PROJECT NORTH

Not for construction unless SEALED and SIGNED

PR TY PYE & RICHARDS - TEMPRANO & YOUNG ARCHITECTS INC.

824 Meath St. Suite 200 613. 724. 7700 Ottawa, ON K1Z 6E8 info@prty.ca

PROJECT OCSB BARRHAVEN CATHOLIC ELEMENTARY SCHOOL

135 MAIN HALYARD LANE OTTAWA, ONTARIO

DRAWING SITE PLAN DETAILS

PROJECT NO.	21007	DRAWING NO.	A101
SCALE	AS NOTED		
DRAWN			
CHECKED	I.R.		
DATE	10/03/2022	PLOTTED BY:	

APPROVED By Lily Xu at 8:53 pm, Aug 30, 2022

LILY XU, MCIP, RPP MANAGER, DEVELOPMENT REVIEW SOUTH PLANNING, INFRASTRUCTURE & ECONOMIC DEVELOPMENT DEPARTMENT, CITY OF OTTAWA