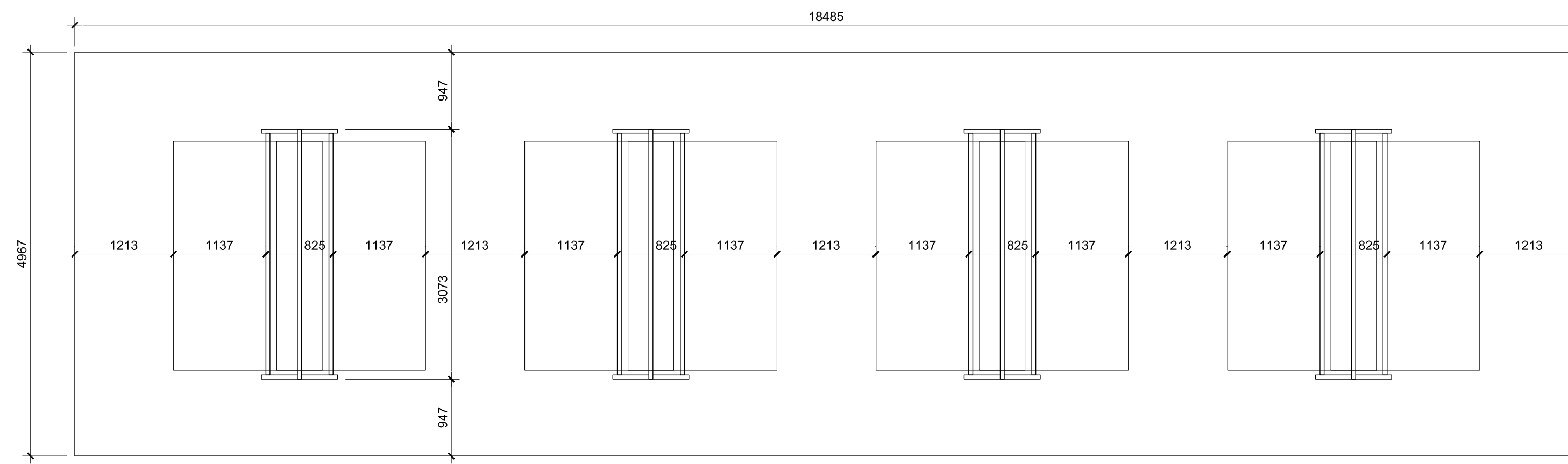
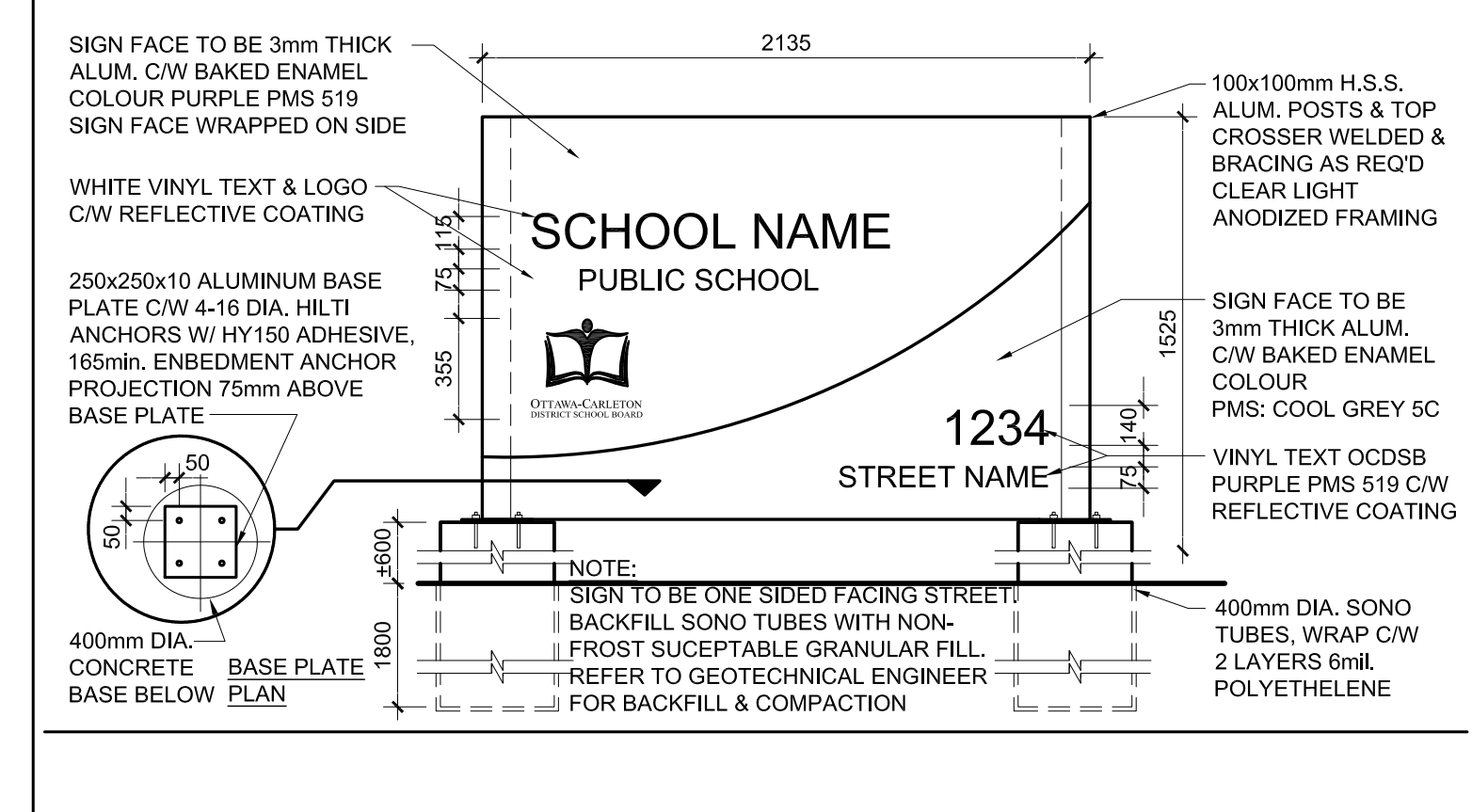




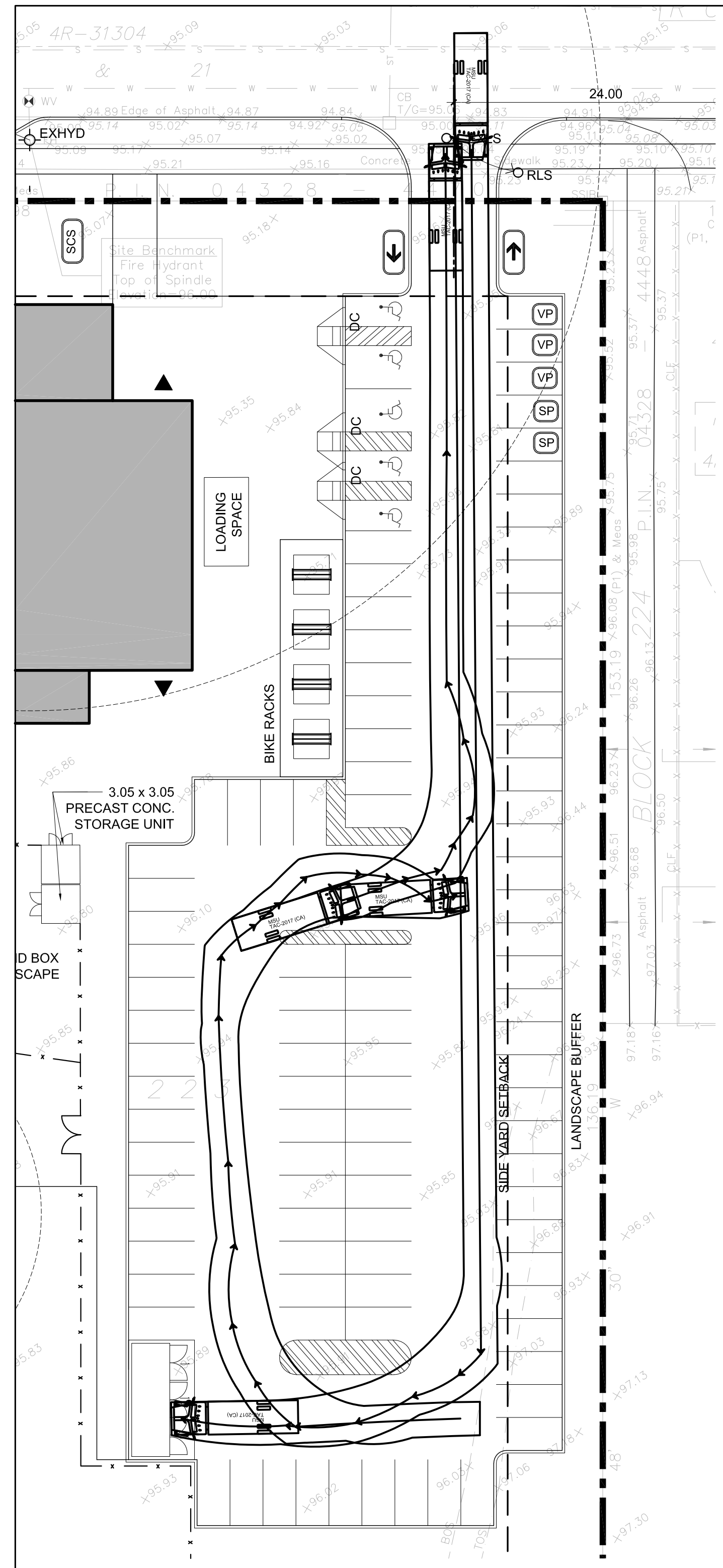
OTTAWA-CARLETON DISTRICT SCHOOL BOARD



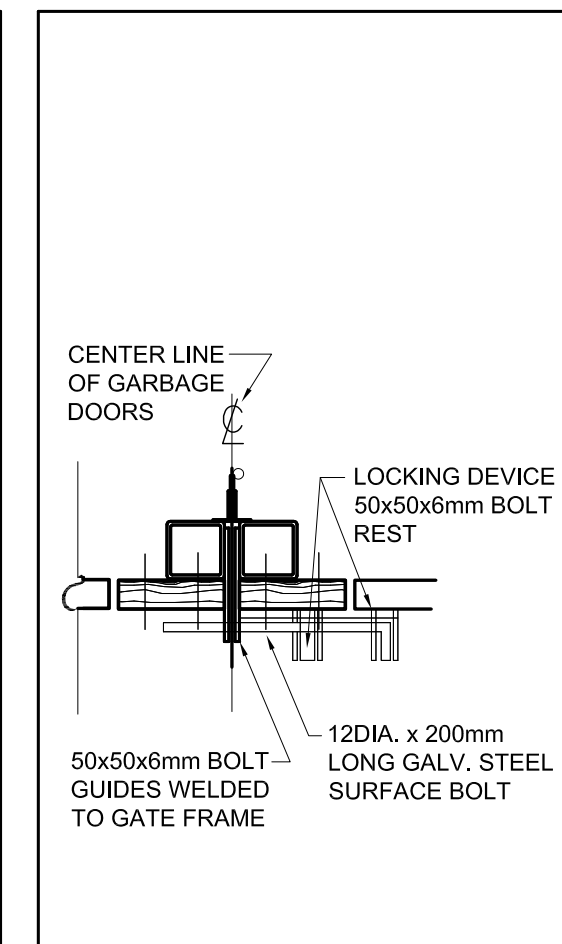
10 BIKE RACKS DETAIL
SCALE 1:25



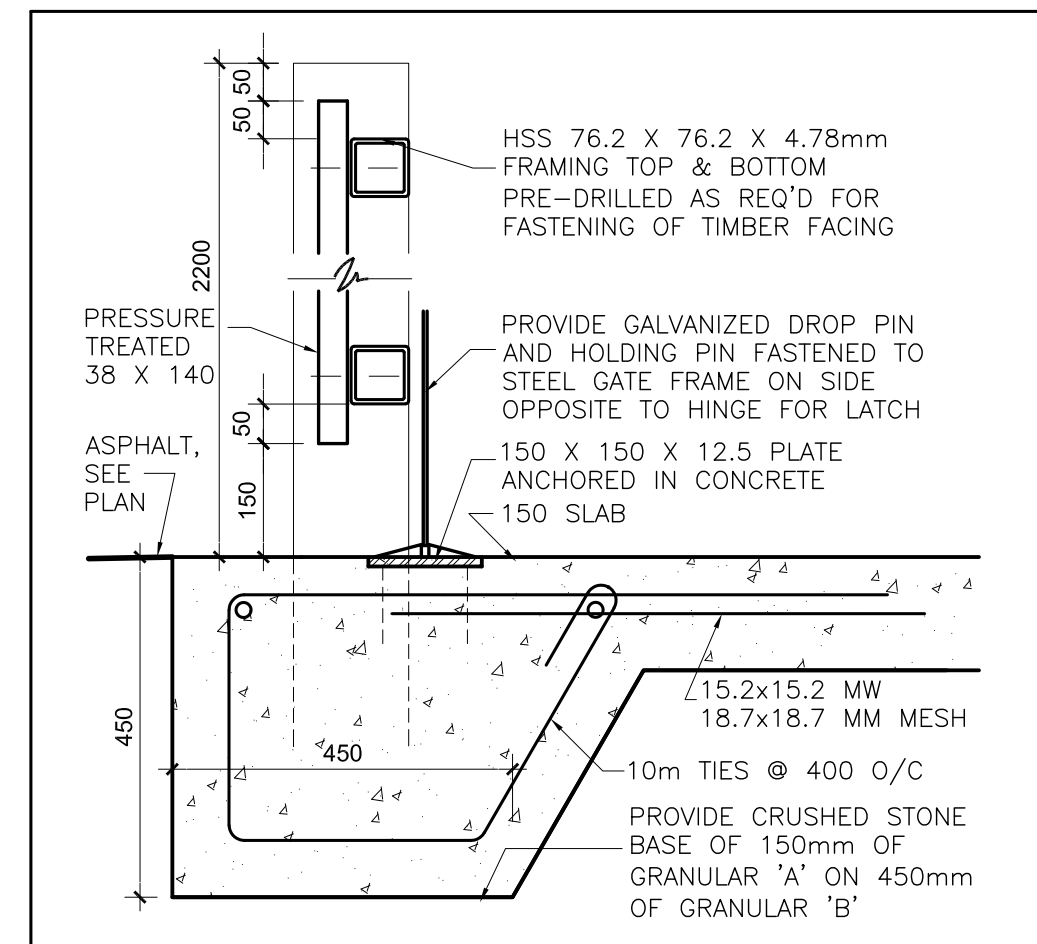
8 EXTERIOR SIGN DETAIL
SCALE 1:25



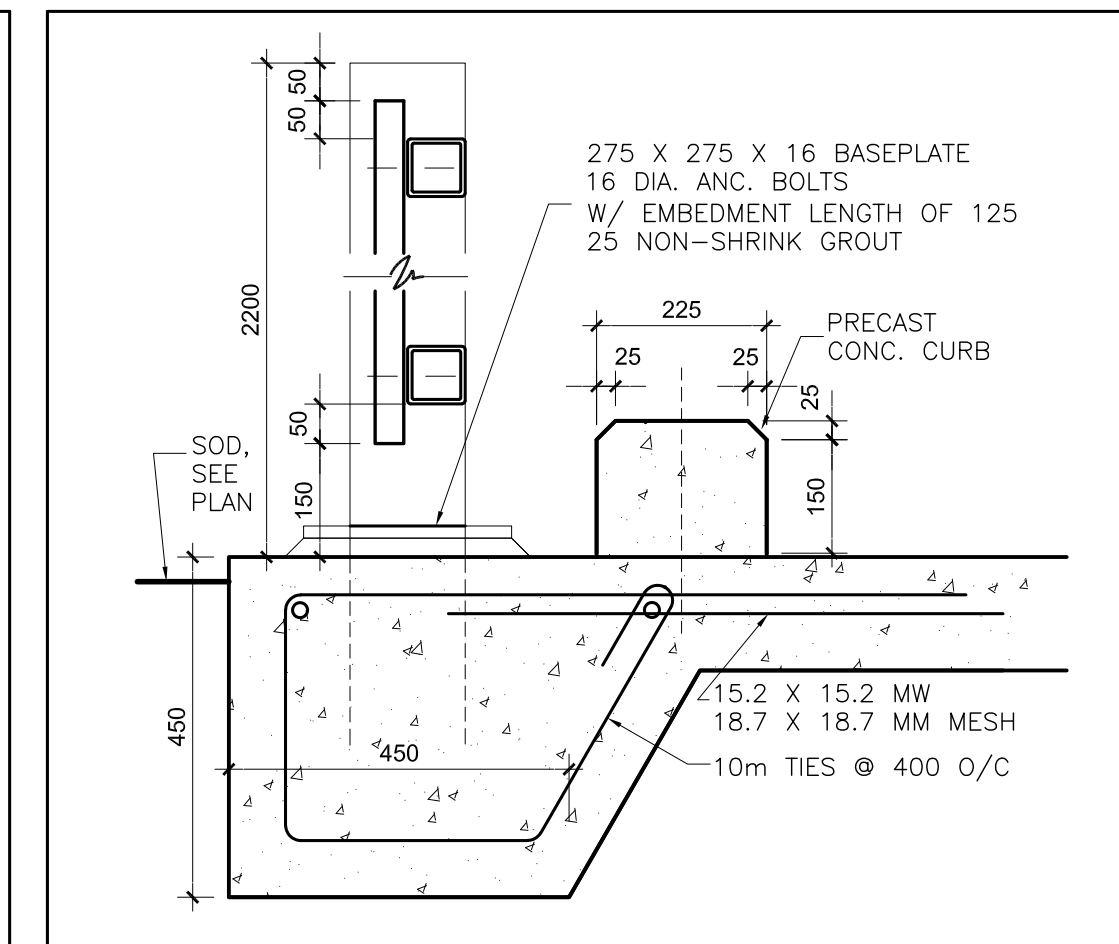
9 GARBADGE TRUCK TURNING RADII
SCALE 1:300



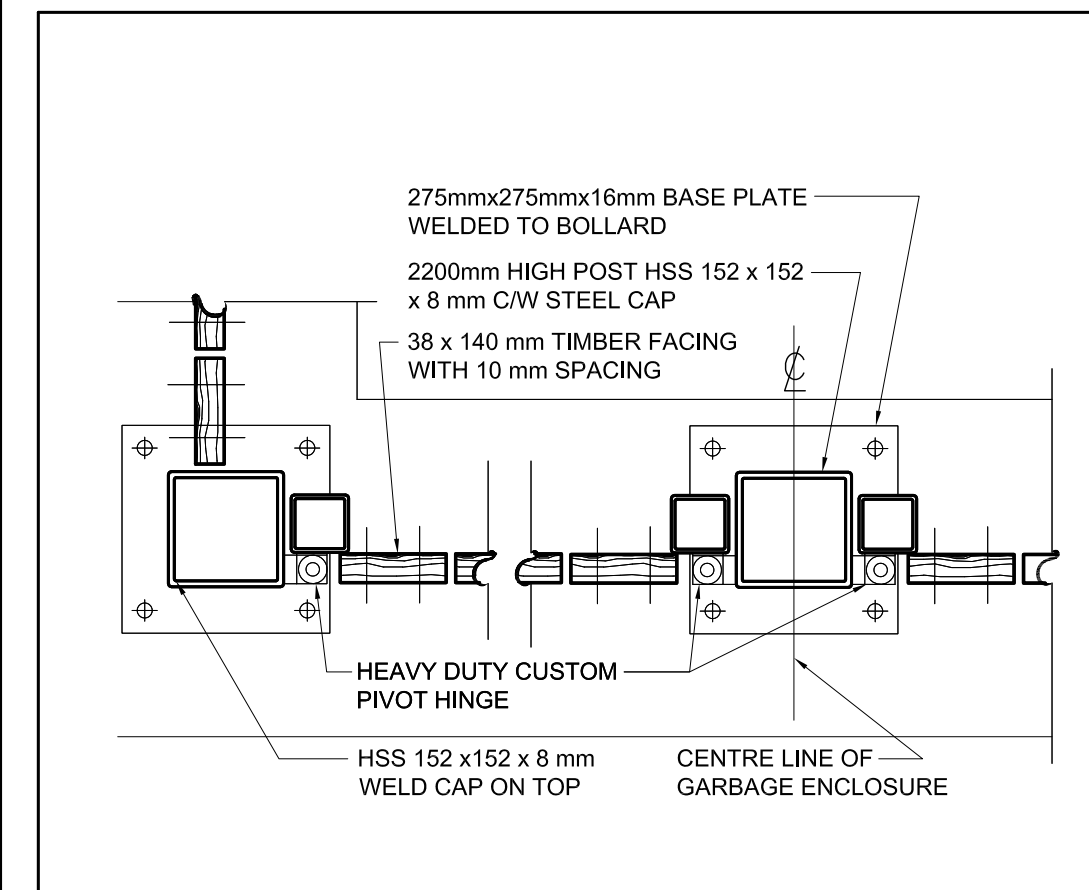
7 PLAN DETAIL
SCALE 1:10



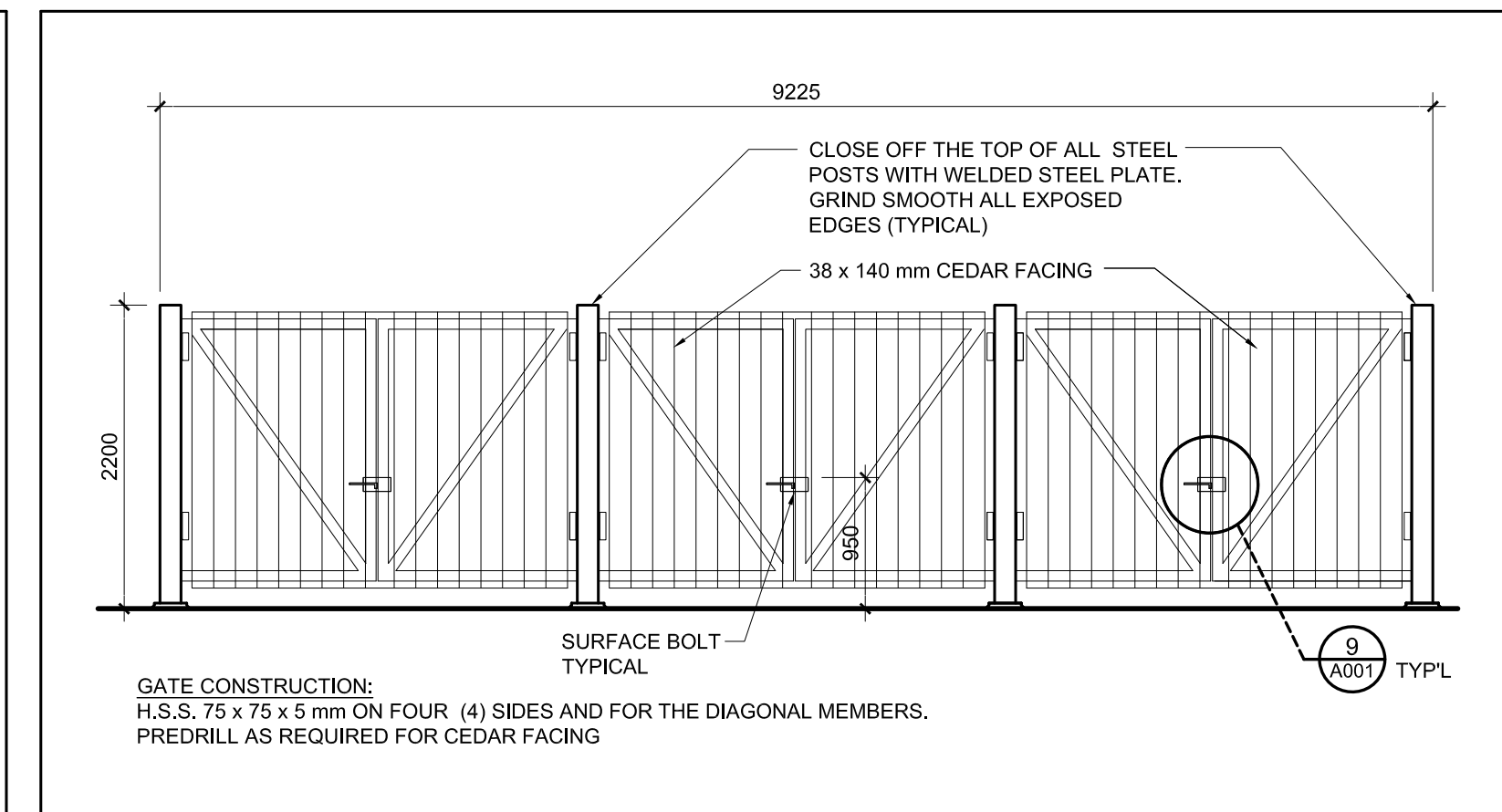
6 GARBAGE ENCLOSURE SECTION DETAIL
SCALE 1:10



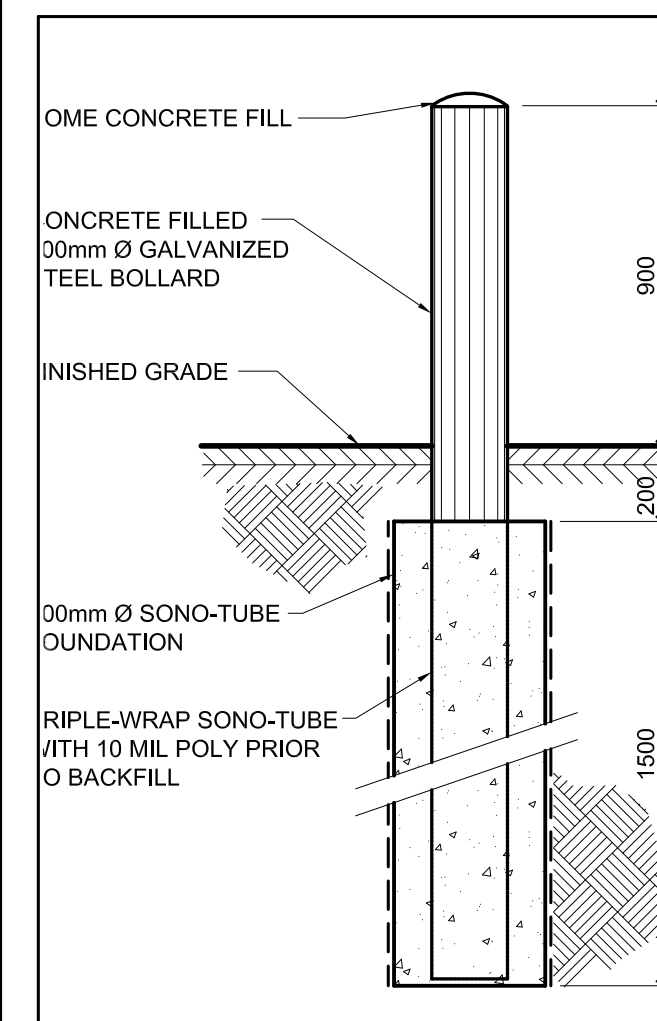
5 GARBAGE ENCLOSURE SECTION DETAIL
SCALE 1:10



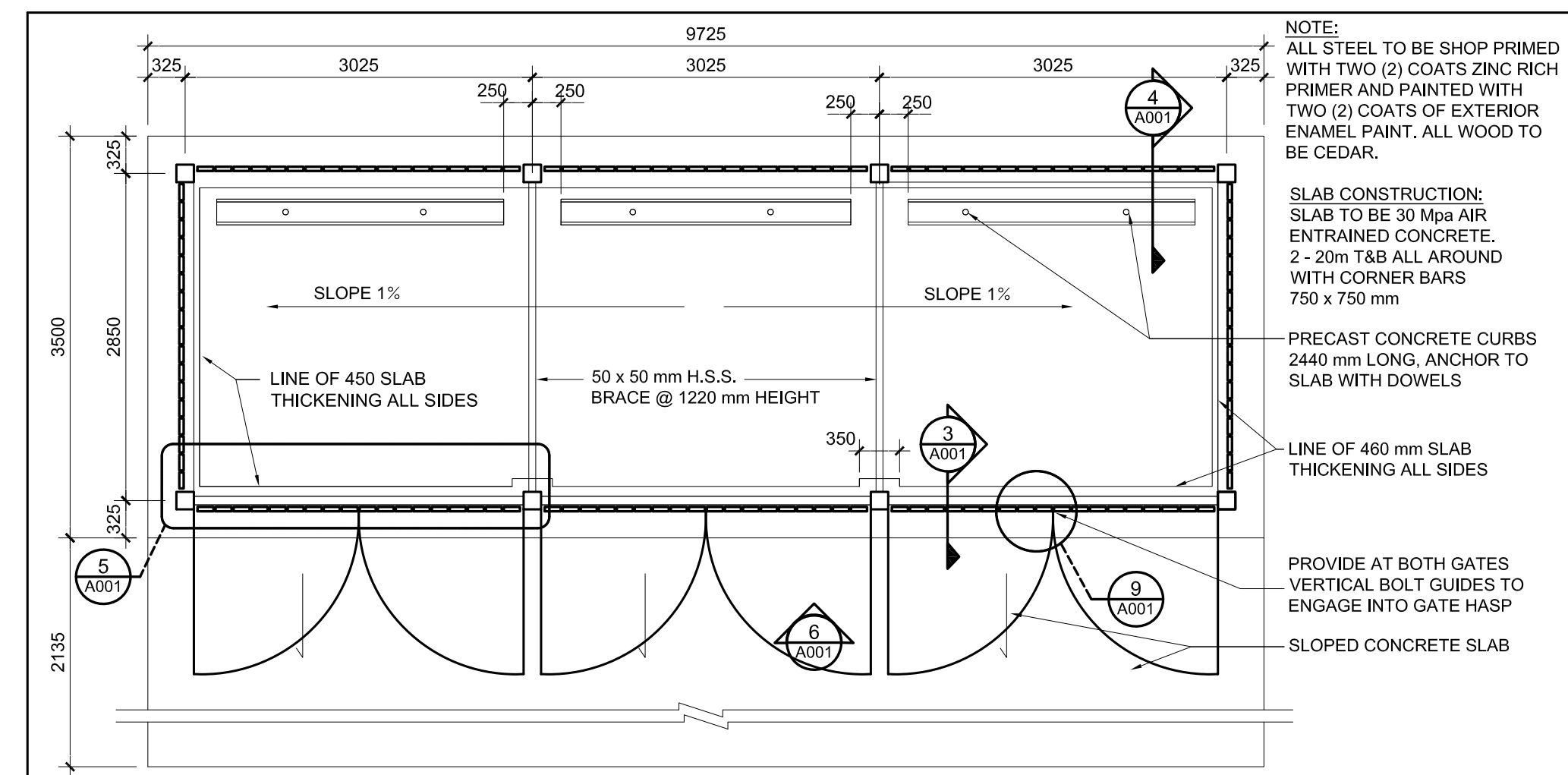
4 GARBAGE ENCLOSURE PLAN DETAIL
SCALE 1:10



3 GARBAGE ENCLOSURE ELEVATION
SCALE 1:50



2 BOLLARD DETAIL
SCALE 1:20



1 GARBAGE ENCLOSURE PLAN
SCALE 1:50

APPROVED REFUSED
DATE _____
Xxxx Xxx, P. Eng., Manager Development Review,
Suburban Services

no.	revision	date
1	ISSUED FOR SITE PLAN CONTROL	27JUN22



N45 ARCHITECTURE INC.
71 Bank Street, 7th floor - Ottawa, Ontario, K1P 5N2
tel. 613.224.0095 fax 613.224.9811

project
FINDLAY CREEK #2 PUBLIC SCHOOL
820 MIKANA ROAD
OTTAWA, ON

project north seal
ONTARIO ASSOCIATION OF ARCHITECTS
VLADIMIR POPOVIC
LICENCE 5918

drawing title
SITE PLAN DETAILS

scale AS NOTED	drawn by NF
date JUNE 2022	checked by VP
project number 22-719	drawing number A-002
CONTRACTOR TO VERIFY ALL DIMENSIONS AND NOTIFY THE ARCHITECT OF ANY DISCREPANCIES BEFORE WORK COMMENCES. DO NOT SCALE DRAWINGS.	
revision	-