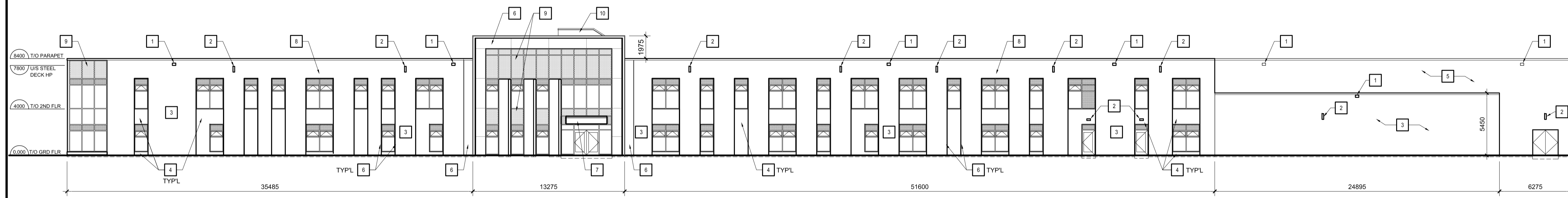


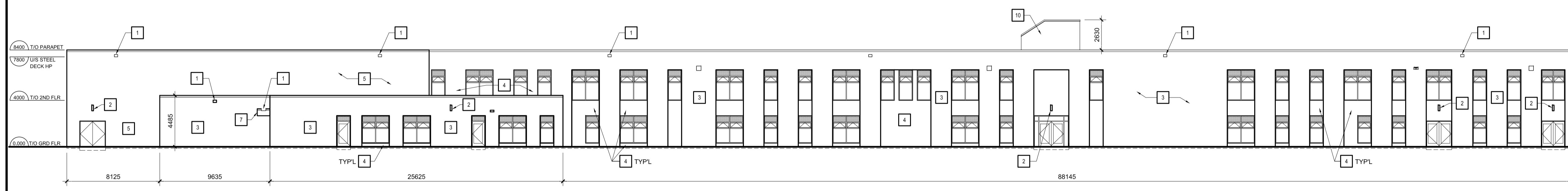
OTTAWA - CARLETON
DISTRICT SCHOOL BOARD

DRAWING NOTES

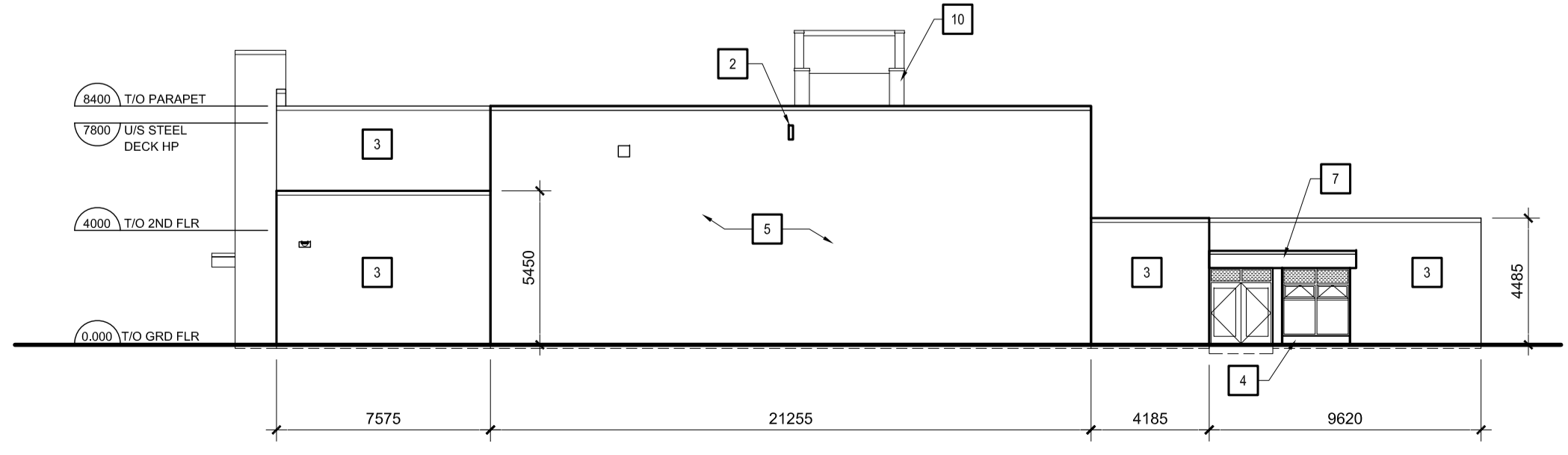
- 1 OVERFLOW SCUPPER
- 2 LIGHT FIXTURE
- 3 RED BRICK
- 4 TAN BRICK
- 5 DARK BROWN BRICK
- 6 PHENOLIC PANELS
- 7 CANOPY WITH ALUMINUM CLADDING
- 8 NOT USED
- 9 GLAZED SPANDREL PANELS
- 10 METAL SIDING



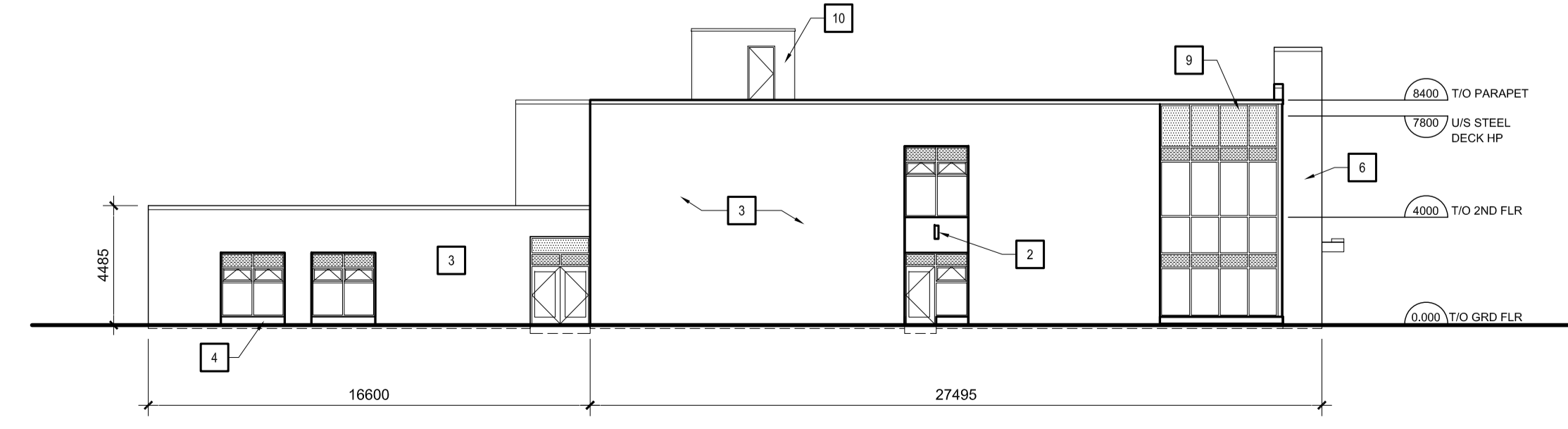
1 NORTH ELEVATION
SCALE 1:200



2 SOUTH ELEVATION
SCALE 1:200



3 WEST ELEVATION
SCALE 1:200



4 EAST ELEVATION
SCALE 1:200

no.	revision	date
01	ISSUED FOR SITE PLAN	27 JUNE 22

N45 ARCHITECTURE INC.

71 Bank Street, 7th Floor - Ottawa, Ontario, K1P 5N2
tel. 613.224.0095 fax 613.224.9811

FINDLAY CREEK 2 ELEMENTARY SCHOOL
OTTAWA-CARLETON DISTRICT
SCHOOL BOARD

820 MIIKANA ROAD
OTTAWA, ONTARIO
K2X 0G5



drawing title
ELEVATIONS

scale AS NOTED	drawn by NF
date 27JUN22	checked by VP
project number 22-719	drawing number A200

CONTRACTOR TO VERIFY ALL DIMENSIONS AND NOTIFY THE ARCHITECT OF ANY DISCREPANCIES BEFORE WORK COMMENCES.

DO NOT SCALE DRAWINGS

revision

D07-XX-XX-XXXX