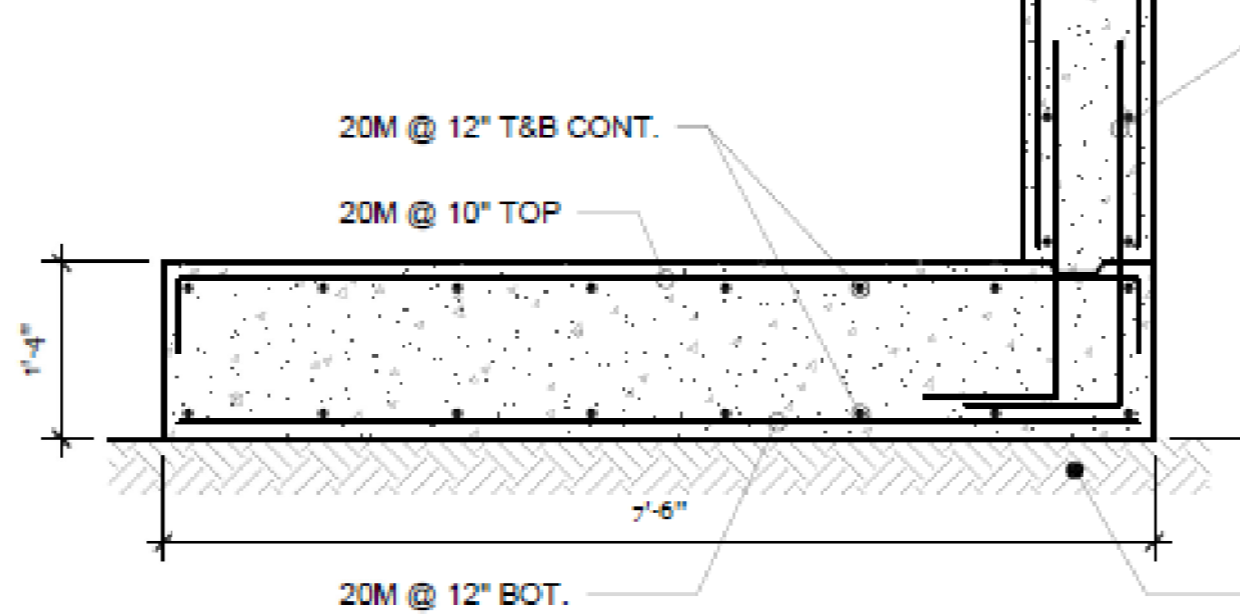


- NOTES:**
- $f'_c = 35 \text{ MPa}$, EXPOSURE CLASS C-1
 - REFER TO SITE PLAN FOR ELEVATIONS
 - REFER TO CIVIL DWGS. FOR LOCATIONS/EXTENTS



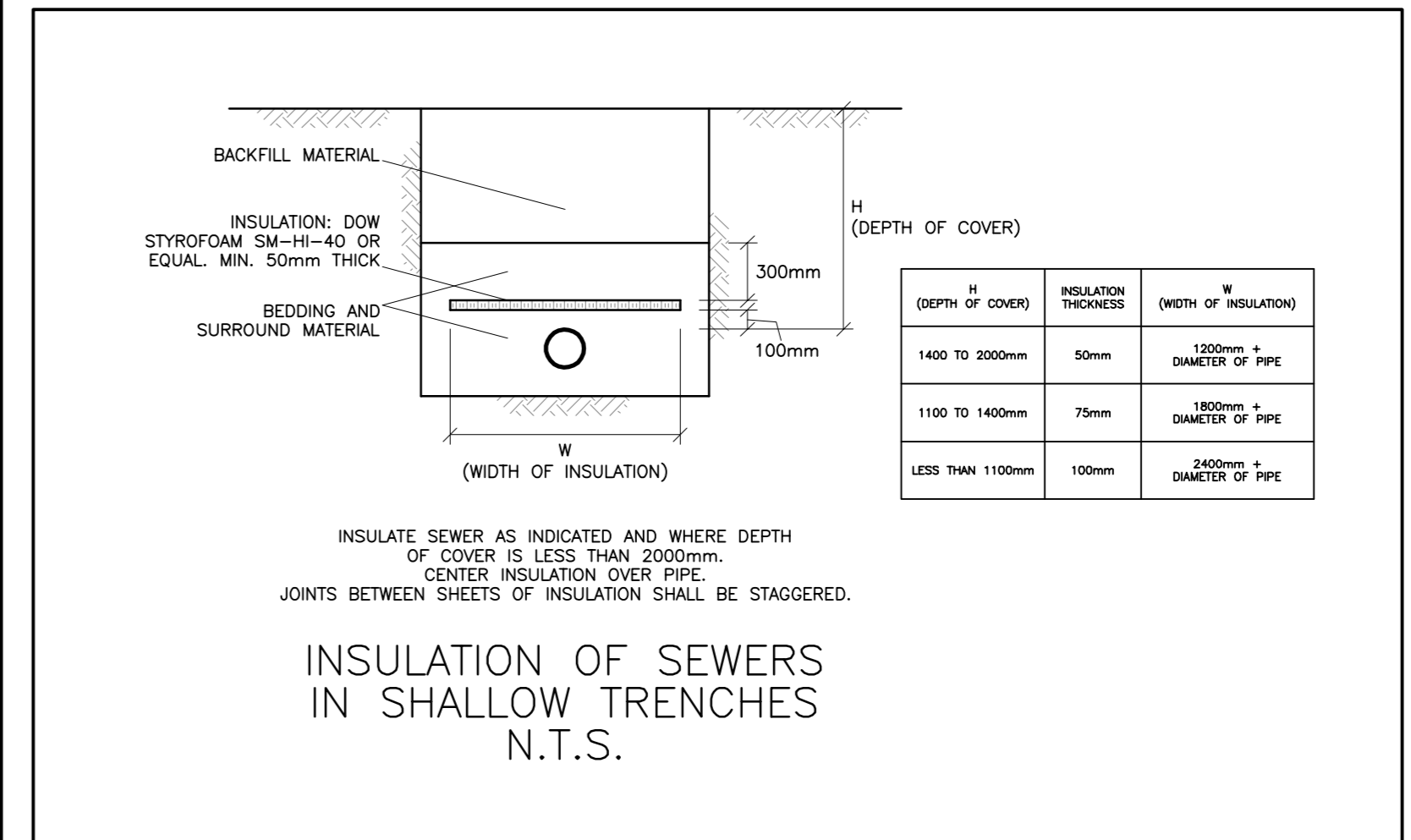
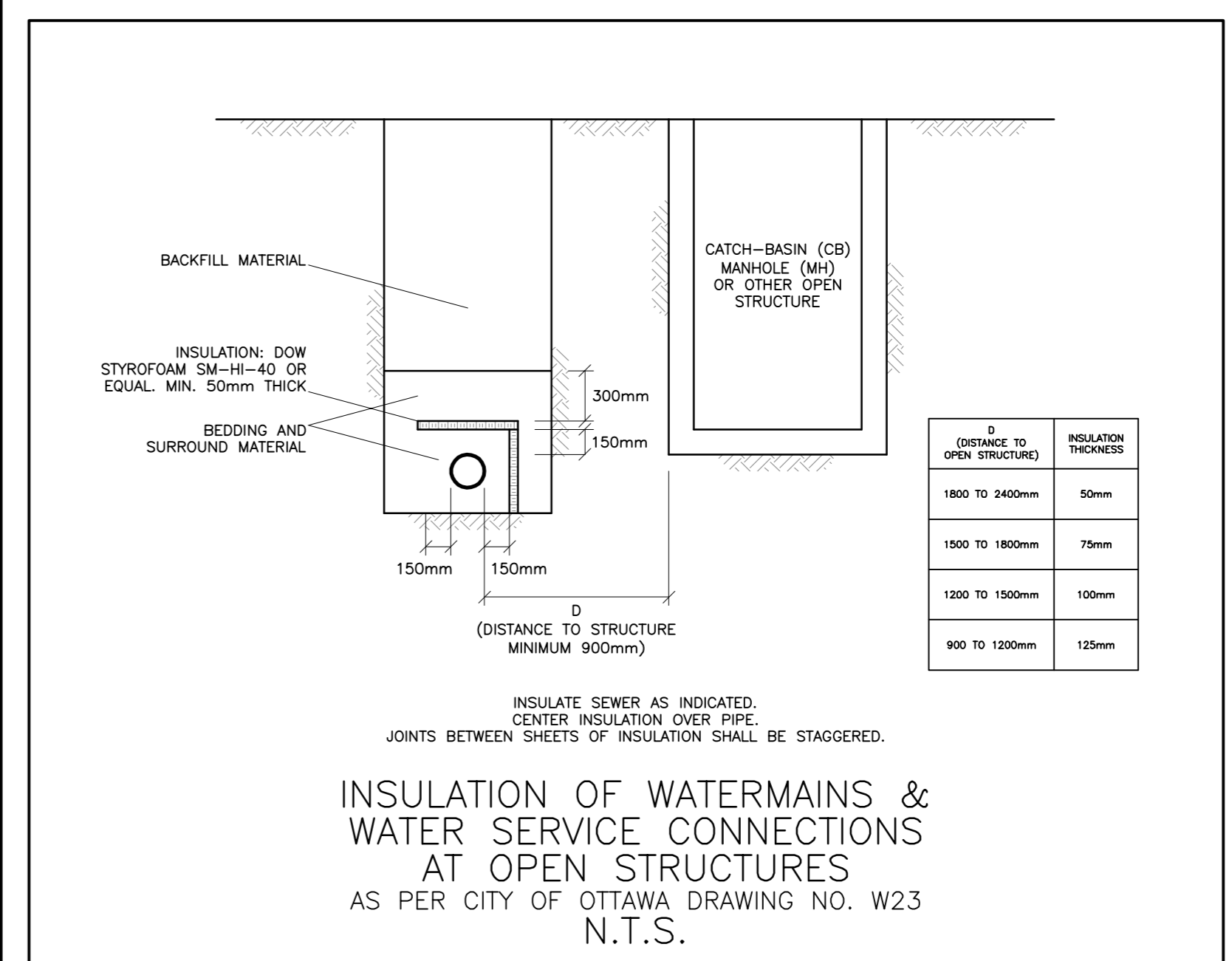
SECTION: TYP. RETAINING WALL
SCALE: 1/2" = 1'-0"



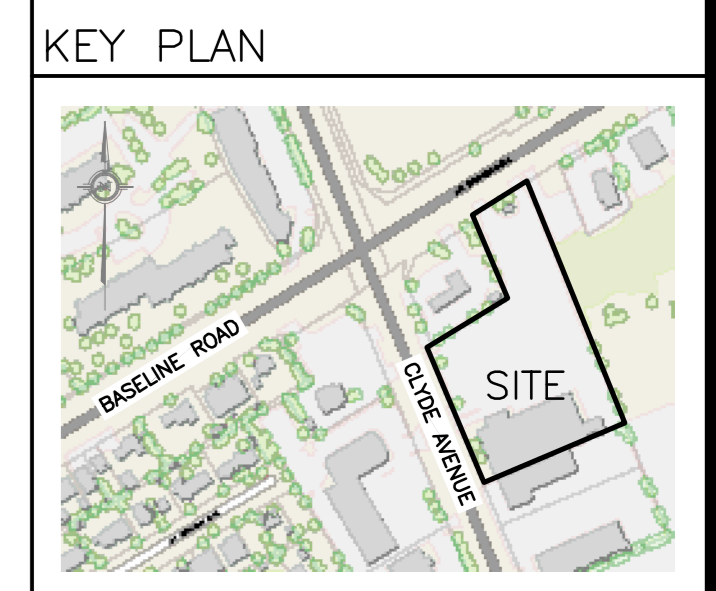
PROJECT NAME AND ADDRESS:
DYMON CLYDE
1375 CLYDE AVE., OTTAWA, ONTARIO

DESIGNED BY: R. MUNDEN
DRAWN BY: A. WITTECH
DATE: 2022-06-30
D+M PROJECT #: 21-006

SK1



REFER TO NOTES & DETAILS ON DRAWINGS C-5 & C-6

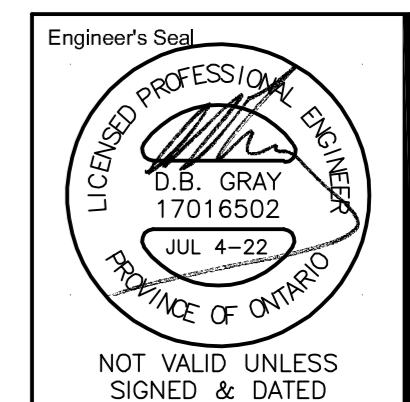


No.	DATE	REVISION
8	JUL 4-22	RE-ISSUED FOR APPROVAL
7	APR 28-22	RE-ISSUED FOR APPROVAL
6	JAN 5-22	ISSUED FOR TENDER
5	DEC 14-21	RE-ISSUED FOR APPROVAL
4	DEC 9-21	ISSUED FOR PERMIT
3	NOV 23-21	ISSUED FOR COORDINATION
2	JAN 8-20	ISSUED FOR APPROVAL
1	DEC 12-19	ISSUED FOR COORDINATION

D. B. GRAY ENGINEERING INC.
Stormwater Management - Grading & Drainage - Storm & Sanitary Sewers - Watermain
700 Long Point Circle
Ottawa, Ontario
613-425-8044
d.gray@dbgrayengineering.com

Project: **PROPOSED 6-STORY STORAGE FACILITY & 1-STORY BUILDING**
1375 CLYDE AVENUE
OTTAWA, ONTARIO

Drawing Title: **DETAILS 2**



Engineer's Seal
Drawn: D.B.G.
Hor. Scale
Vert. Scale
Date: SEP 17-19
Job No. 19058

Drawing No. **C-7**
of **8**

NOT VALID UNLESS SIGNED & DATED