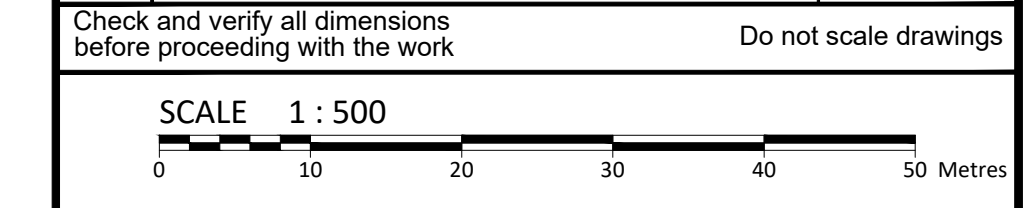
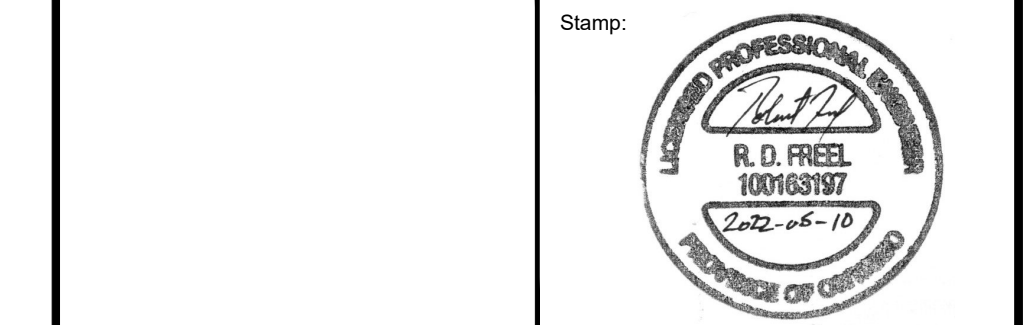


FOR REVIEW ONLY
NOT FOR CONSTRUCTION

1	ISSUED FOR REVIEW	FEB. 01, 2022
---	-------------------	---------------



McINTOSH PERRY
115 Walgreen Road, RR3, Carp, ON K0A 1L0
Tel: 613-836-2184 Fax: 613-836-3742
www.mcintoshperry.com

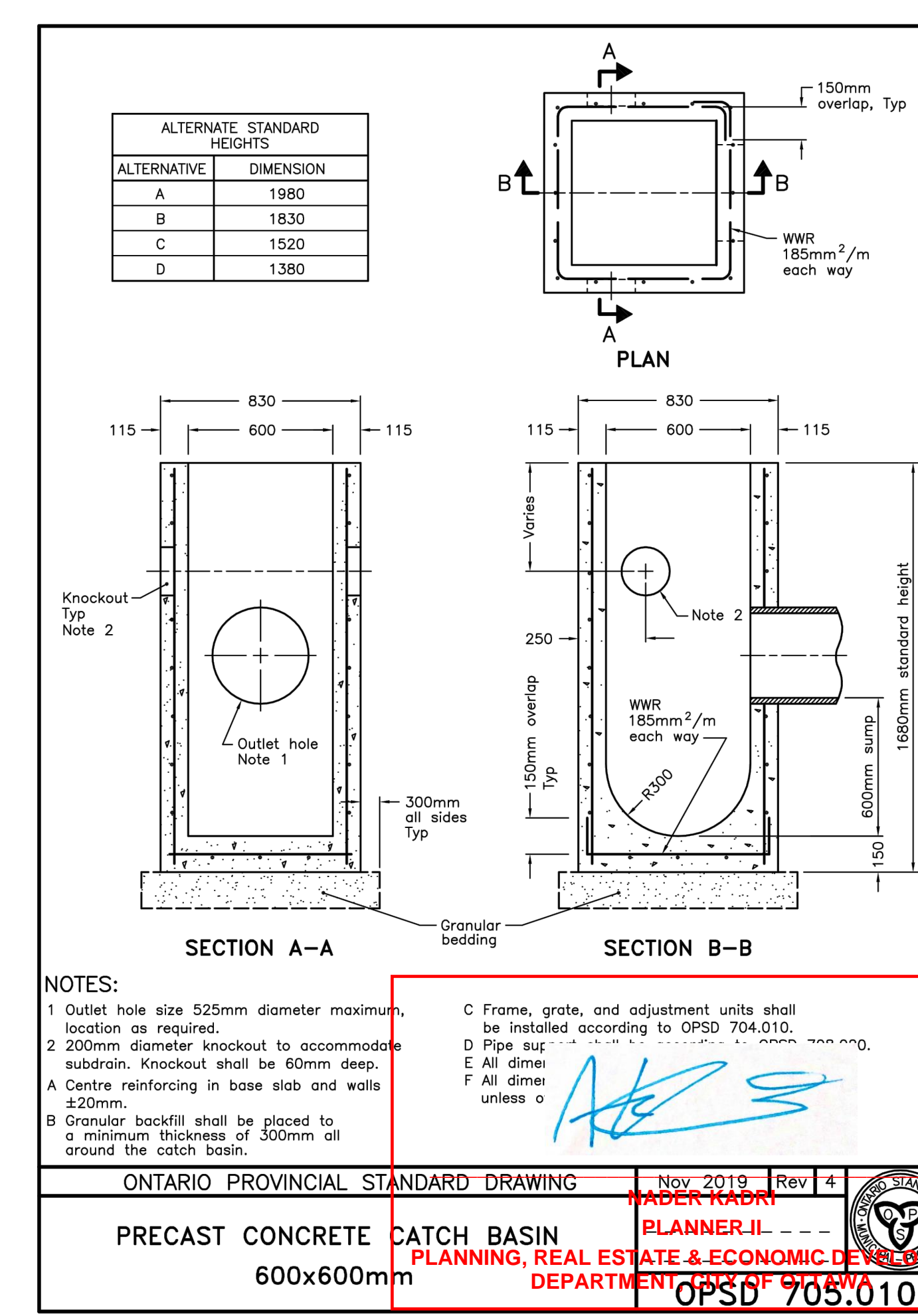
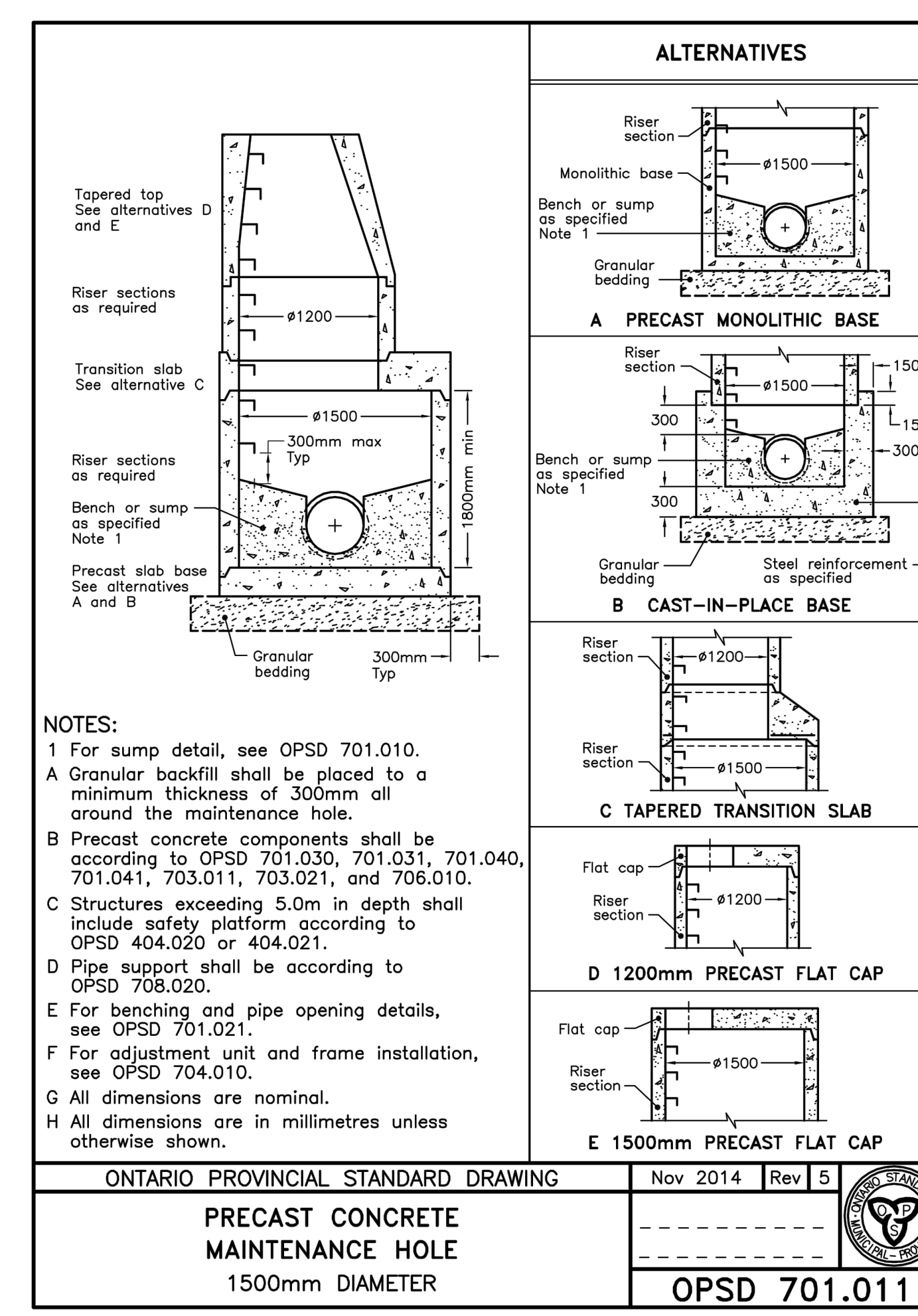
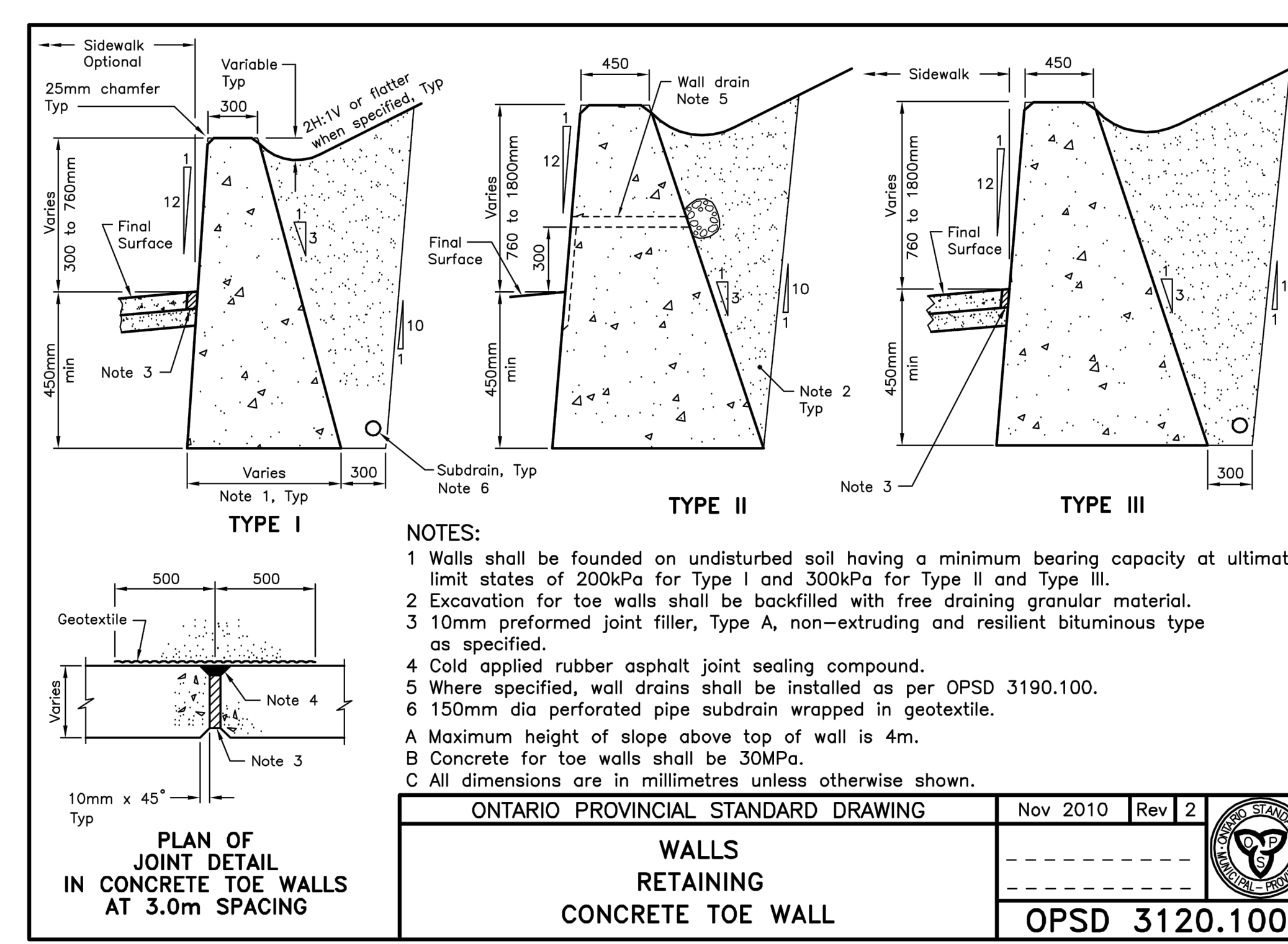


Client: **FIGUR ARCHITECTS COLLECTIVE**
190 SOMERSET STREET WEST
OTTAWA, ON K2P 0J4
(613) 695-6122

Project: **1633/1635 LYCEE PLACE**
OTTAWA, ON K1G 0E5
613-733-8522

Drawing Title: **Detail Sheet 2**

Scale: 1:500	Project Number: CCO-22-1100
Drawn By: N.V.	Checked By: R.F.
Designed By: N.V.	Drawing Number: Detail Sheet 2



PREPARED BY: [Name], PROJECT: [Project Name], DATE: [Date], DRAWING NO.: [Drawing No.]
 CHECKED BY: [Name], DATE: [Date], DRAWING NO.: [Drawing No.]
 DESIGNED BY: [Name], DATE: [Date], DRAWING NO.: [Drawing No.]

D07-12-22-0022