

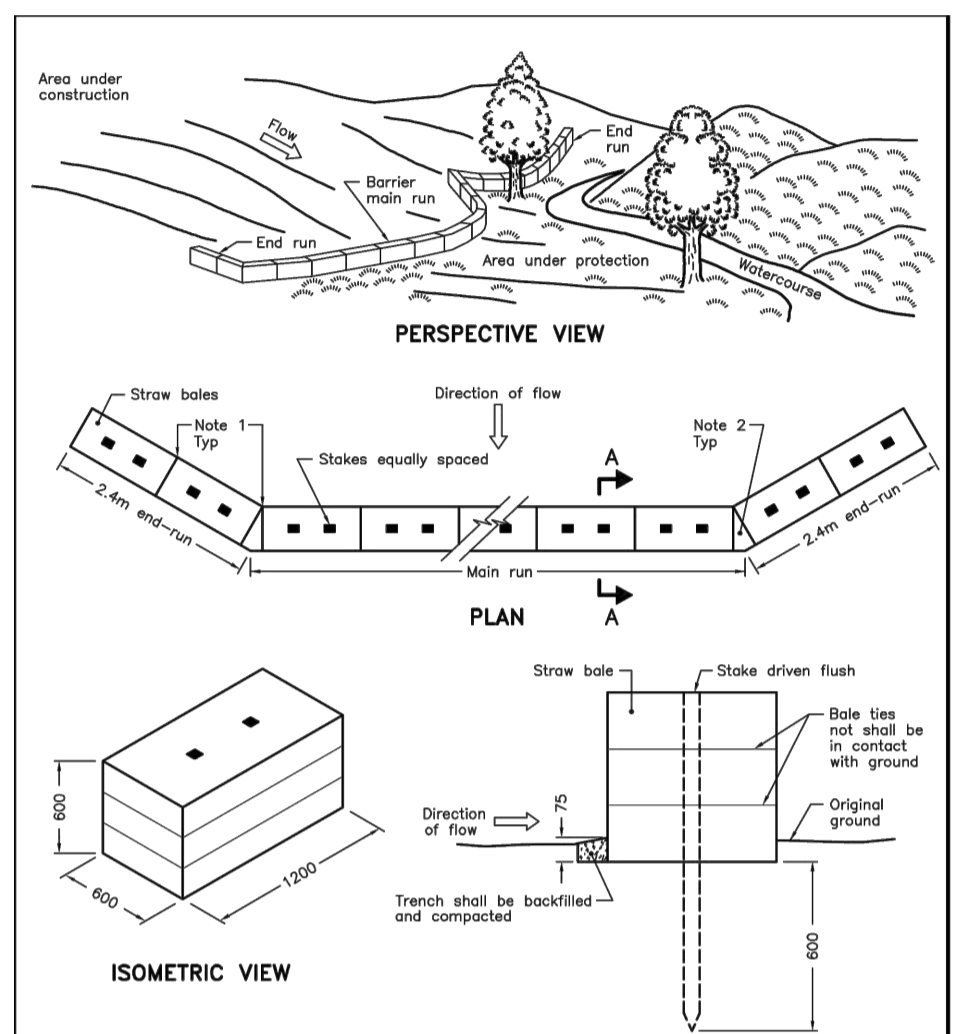
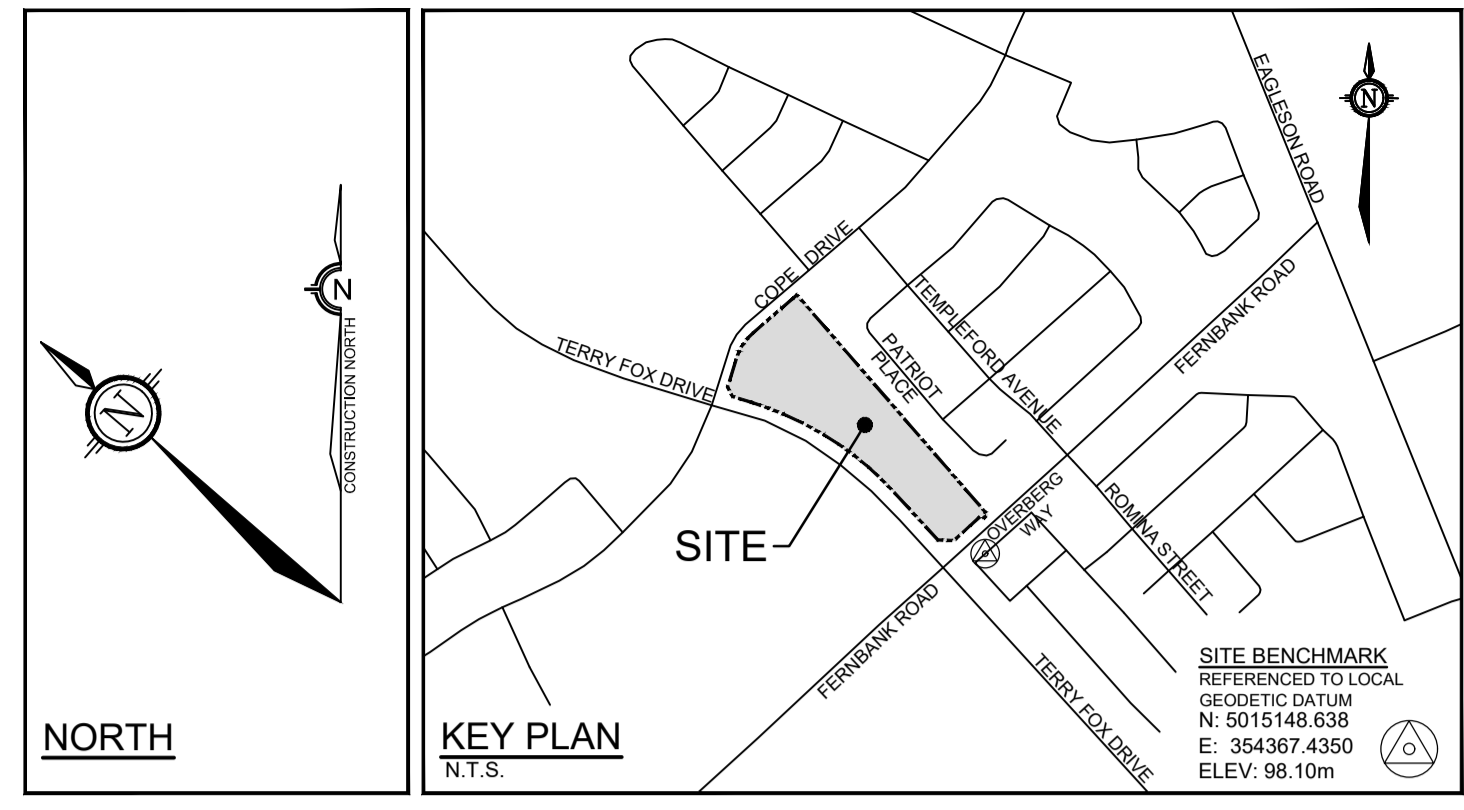
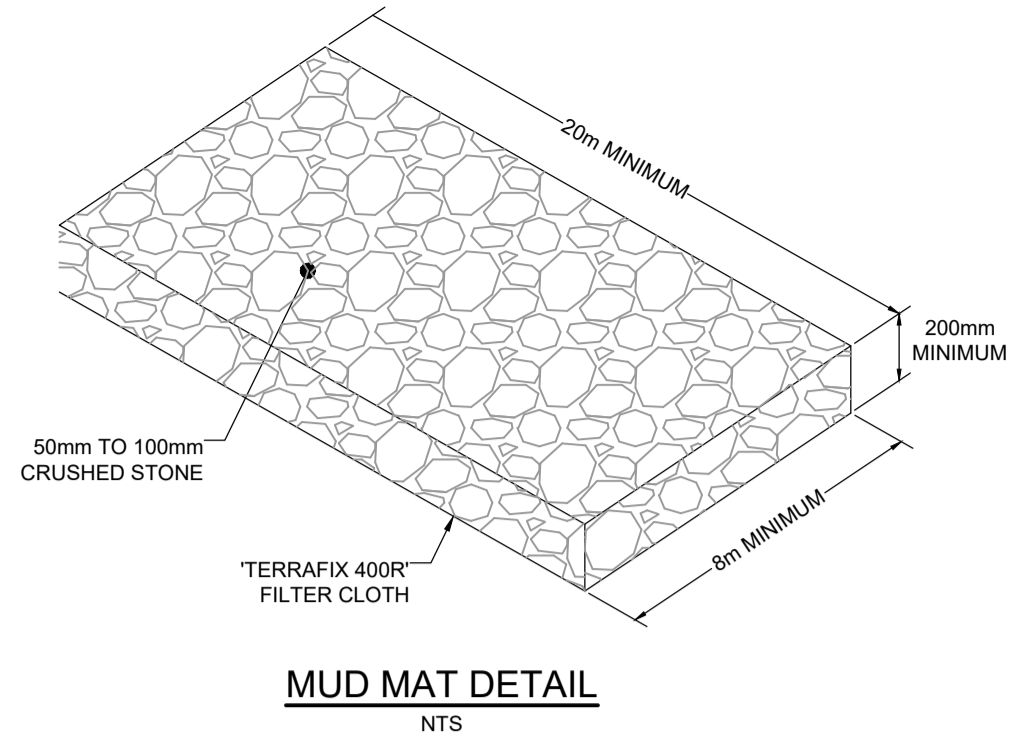
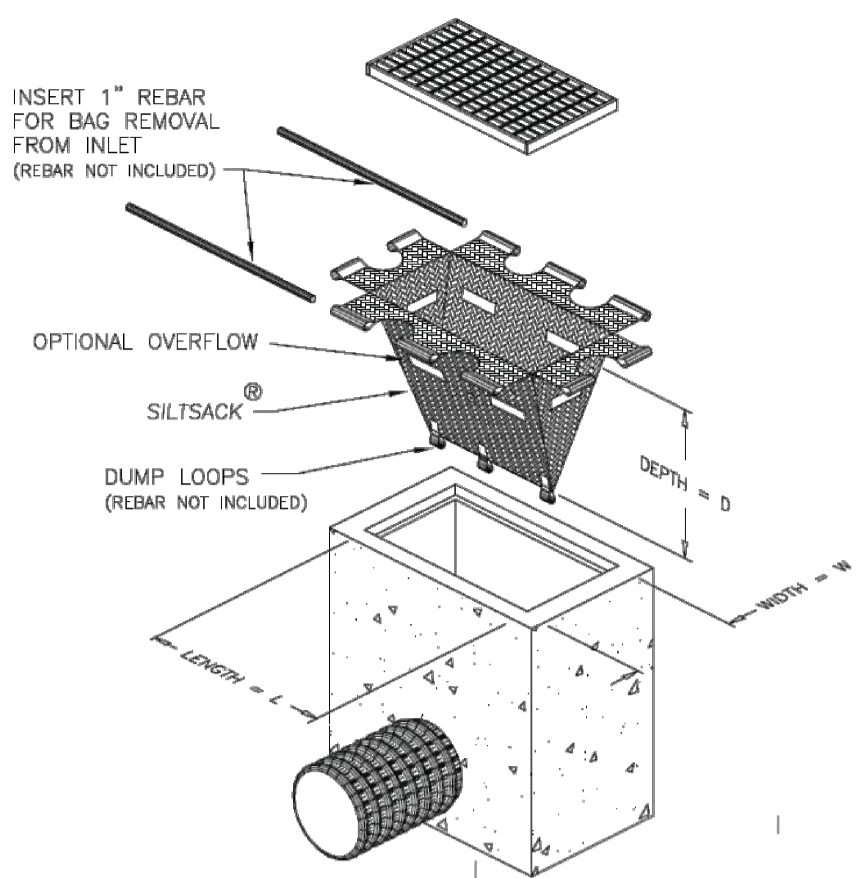
**APPROVED**  
By Allison Hamlin at 12:43 pm, Jun 02, 2022

*All Hamlin*

**ALLISON HAMLIN  
MANAGER (A), DEVELOPMENT REVIEW WEST  
PLANNING, REAL ESTATE & ECONOMIC DEVELOPMENT  
DEPARTMENT, CITY OF OTTAWA**

**LEGEND**

- SITE BOUNDARY
- MAXIMUM 3:1 SIDESLOPE
- PROPOSED CENTRELINE SWALE
- PROPOSED HYDRANT LOCATION
- PROPOSED SANITARY MANHOLE
- PROPOSED STORM MANHOLE
- PROPOSED CATCHBASIN MANHOLE INSERT
- PROPOSED CATCHBASIN INSERT
- PROPOSED SILT FENCE (SEE OPSD 219.110)
- PROPOSED MUD MAT
- PROPOSED STRAW BALE (SEE OPSD 219.180)

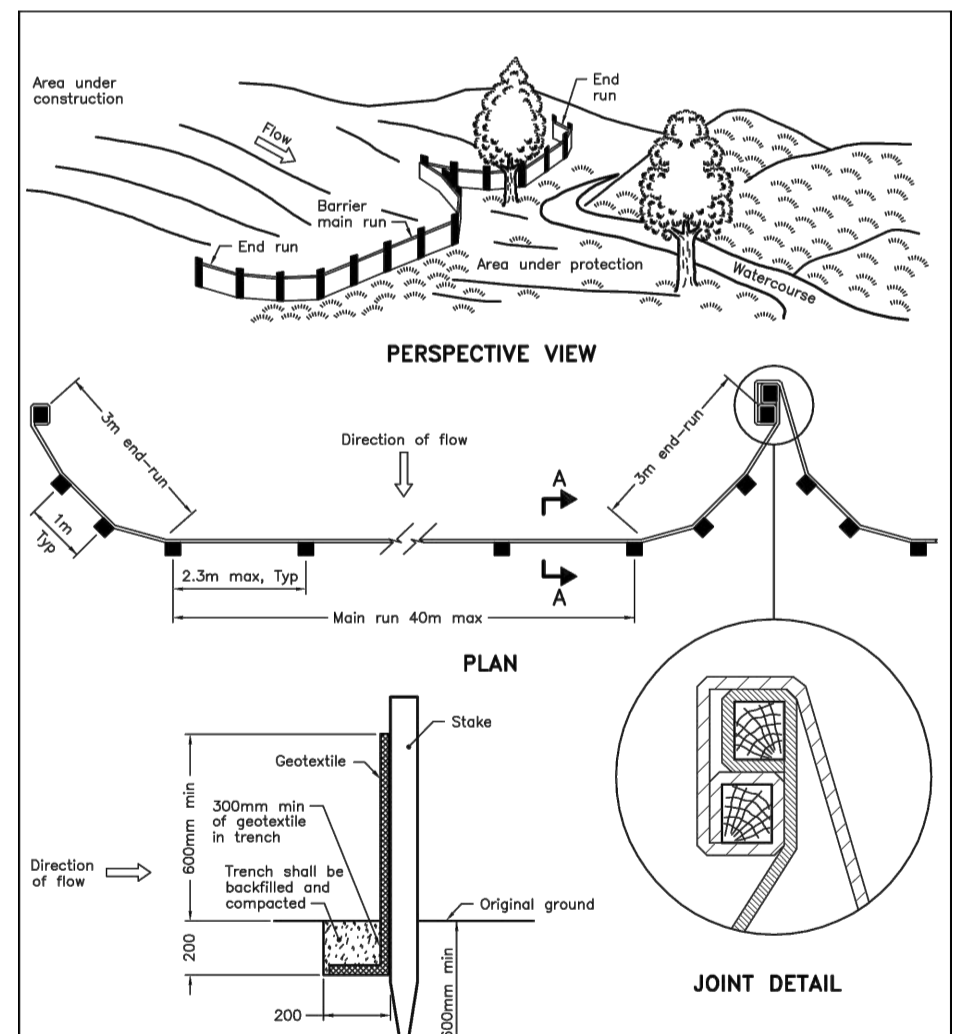


**NOTES:**

- 1 Straw bales shall be butted tightly against adjoining bales to prevent sediment flow through barrier.
- 2 Caulk and compact gaps with loose straw.
- 3 All dimensions are in millimetres unless otherwise shown.

ONTARIO PROVINCIAL STANDARD DRAWING Nov 2015 Rev 2

**LIGHT-DUTY STRAW BALE BARRIER**  
OPSD 219.100



**NOTE:**

A All dimensions are in millimetres unless otherwise shown.

ONTARIO PROVINCIAL STANDARD DRAWING Nov 2015 Rev 2

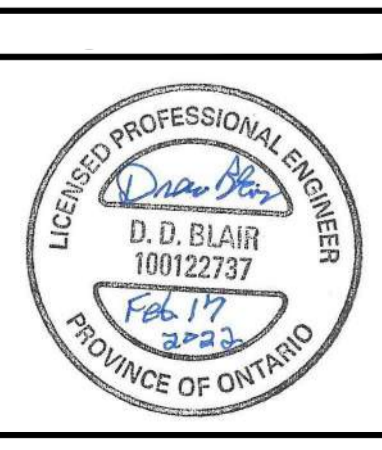
**LIGHT-DUTY SILT FENCE BARRIER**  
OPSD 219.110

REFER TO 121011-NLD FOR ADDITIONAL NOTES

**NOTE:**  
THE POSITION OF ALL POLE LINES, CONDUITS, WATERMANS, SEWERS AND OTHER UNDERGROUND AND OVERGROUND UTILITIES AND STRUCTURES IS NOT NECESSARILY SHOWN ON THE CONTRACT DRAWINGS, AND WHERE SHOWN, THE ACCURACY OF THE POSITION OF SUCH UTILITIES AND STRUCTURES IS NOT GUARANTEED. BEFORE STARTING WORK, DETERMINE THE EXACT LOCATION OF ALL SUCH UTILITIES AND STRUCTURES AND ASSUME ALL LIABILITY FOR DAMAGE TO THEM.

No.	REVISION	DATE	BY
3.	REVISED PER CITY COMMENTS	FEB 17/22	DDB
2.	REVISED PER CITY COMMENTS	NOV 5/21	DDB
1.	ISSUED FOR CITY OF OTTAWA REVIEW	JUN 2/21	DDB

SCALE	DESIGN	CHECKED	DRAWN	APPROVED
1:750	DDB	MSP	AE	DDB
1:750				MSP



**NOVATECH**  
Engineers, Planners & Landscape Architects  
Suite 200, 240 Michael Cowpland Drive  
Ottawa, Ontario, Canada K2M 1P6  
Telephone (613) 254-9643  
Facsimile (613) 254-5867  
Website www.novatech-eng.com

CITY OF OTTAWA  
5331 FERNBANK ROAD  
FERNBANK ZENS

DRAWING NAME  
**EROSION AND SEDIMENT CONTROL PLAN**

PROJECT No. 121011-00  
REV. REV # 3  
DRAWING No. 121011-ESC  
#18539

M:\2021\121011\121011-ESC.dwg, ESC, Feb 10, 2022, 2:23pm, gpr/gpr