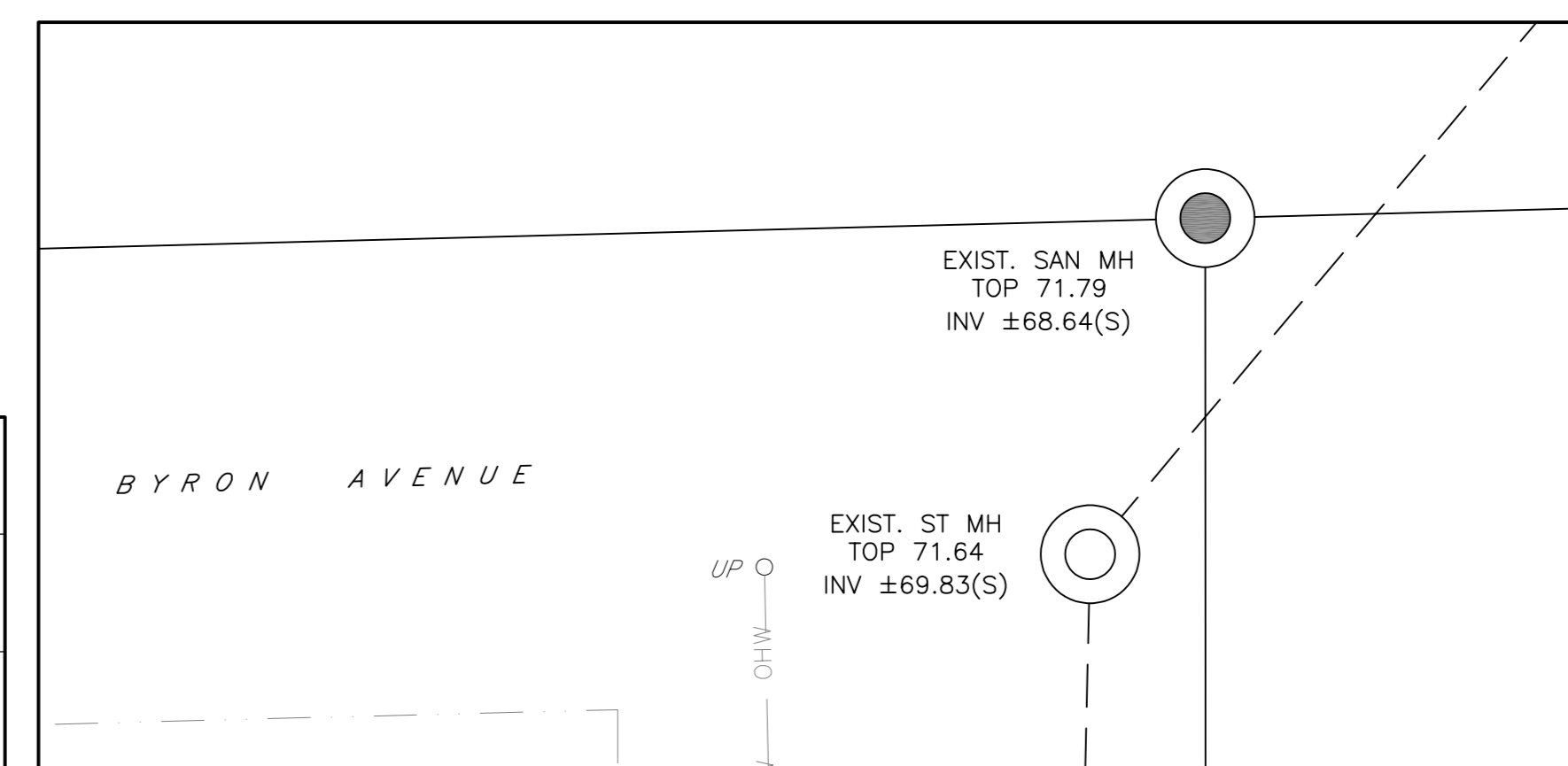


WATER SERVICE PROFILE TABLE

MATERIAL:
38mm COPPER ASTM B88 TYPE "K" SOFT

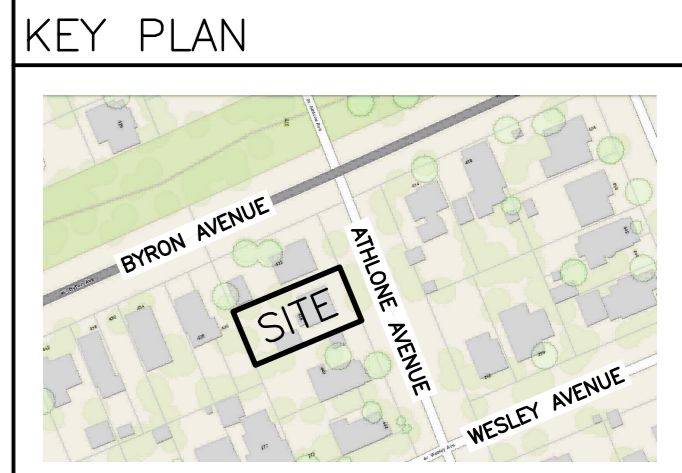
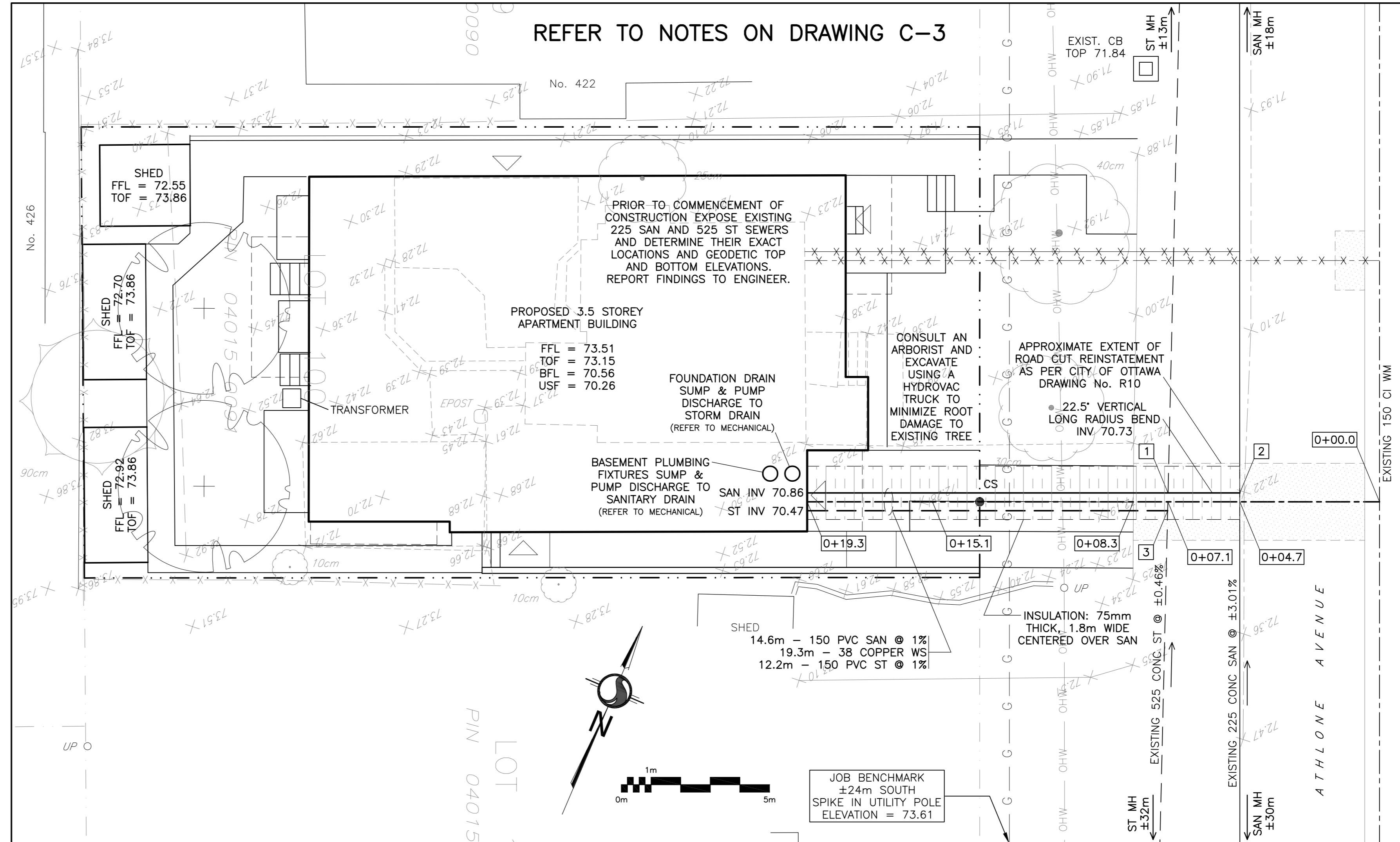
STATION	DESCRIPTION	GRADE ELEVATION	TOP OF PIPE	DEPTH OF COVER	NOTES
0+00.0	TVS CONNECTION TO 150mm MUNICIPAL WATERMAIN TO CITY OF OTTAWA STANDARDS	±72.17	±70.37	±1.80	START OF INSULATION: 50mm THICK, 1.2m WIDE
0+04.7	-	±72.22	70.12	±2.10	38 WS U/S 70.08 225 SAN TOP 69.93
0+07.1	-	±72.19	69.73	±2.46	525 ST U/S 69.88 38 WS TOP 69.73
0+07.2	-	±72.19	69.73	±2.46	END OF INSULATION: 50mm THICK, 1.2m WIDE
0+08.3	-	±72.17	69.77	2.40	EDGE OF ROAD
0+13.5	38mm CURB STOP & SERVICE POST TO CITY OF OTTAWA STANDARDS	72.27	69.87	2.40	ON PROPERTY LINE
0+15.1	-	72.30	69.90	2.40	START OF INSULATION AT OPEN STRUCTURE: 50mm THICK
0+19.3	-	72.37	69.97	2.40	ENTRY INTO BUILDING END OF INSULATION AT OPEN STRUCTURE: 50mm THICK

REF	DETAILS	CLEARANCE	REF	DETAILS	CLEARANCE
1	150 SAN INV 70.74 525 ST TOP ±70.59	±150mm	2	150 SAN INV 69.80 225 SAN SPL ±69.80	-
3	150 ST OBV 70.50 525 ST OBV ±70.50	-			

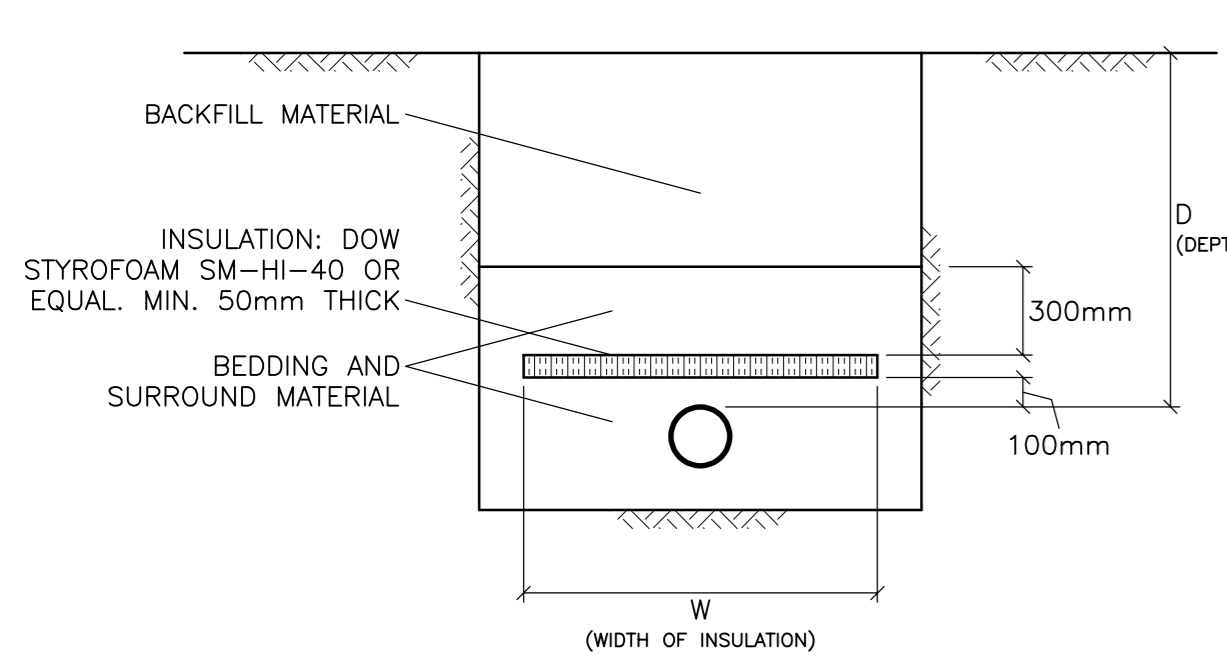


LEGEND

- FFL FINISHED FLOOR ELEVATION
- TOF TOP OF FOUNDATION
- BFL BASEMENT FLOOR ELEVATION
- USF UNDERSIDE OF FOOTING
- PROPERTY LINE
- CB CATCH-BASIN
- MH STORM MANHOLE
- MH SANITARY MANHOLE
- CS CURB STOP & STANDPOST
- SAN SANITARY SEWER
- ST STORM SEWER
- WS/WM WATER SERVICE/WATERMAIN
- OBV OBVERT OF PIPE
- SPL SPRINGLINE OF PIPE
- INV INVERT OF PIPE
- +99.99 EXISTING GRADE ELEVATION
- 150mm BARRIER CURB



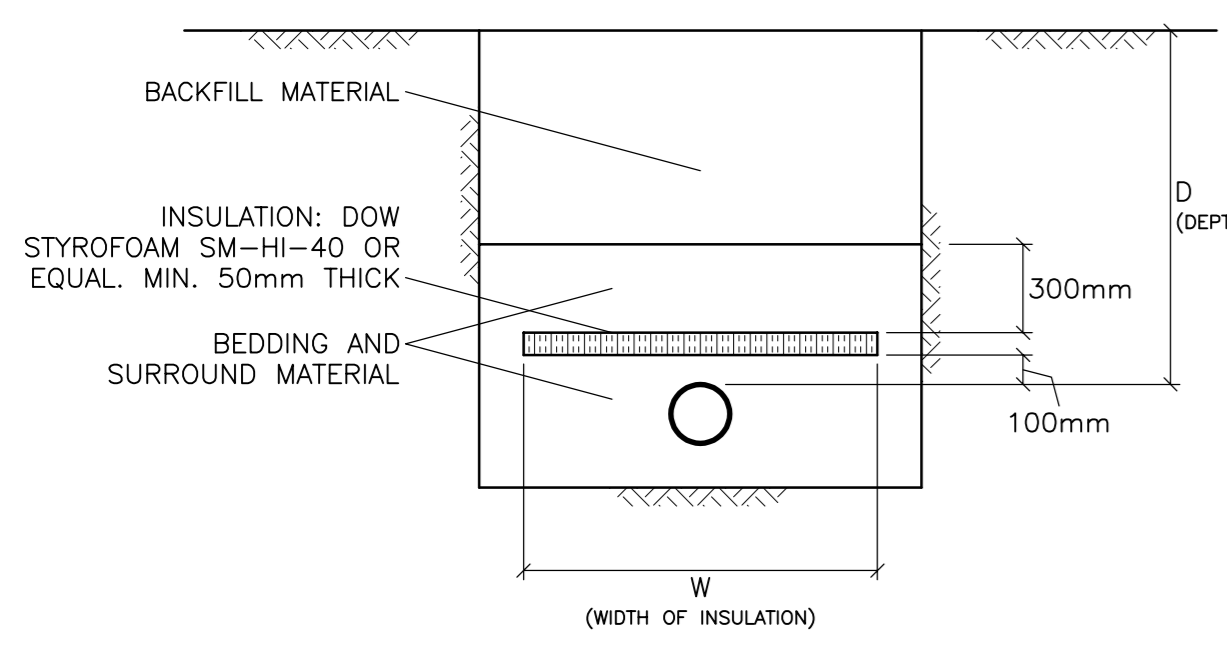
No.	DATE	REVISION
2	MAY 16-22	ISSUED FOR APPROVAL
1	MAY 5-22	ISSUED FOR COORDINATION



D (DEPTH OF COVER)	INSULATION THICKNESS	W (WIDTH OF INSULATION)
1400 TO 2000mm	50mm	1200mm ± DIAMETER OF PIPE
1100 TO 1400mm	75mm	1800mm ± DIAMETER OF PIPE
LESS THAN 1100mm	100mm	2400mm ± DIAMETER OF PIPE

INSULATE SEWERS AND SERVICE CONNECTIONS AS INDICATED AND WHERE DEPTH OF COVER IS LESS THAN 2000mm. CENTER INSULATION OVER PIPE. STAGGER JOINTS BETWEEN SHEETS OF INSULATION.

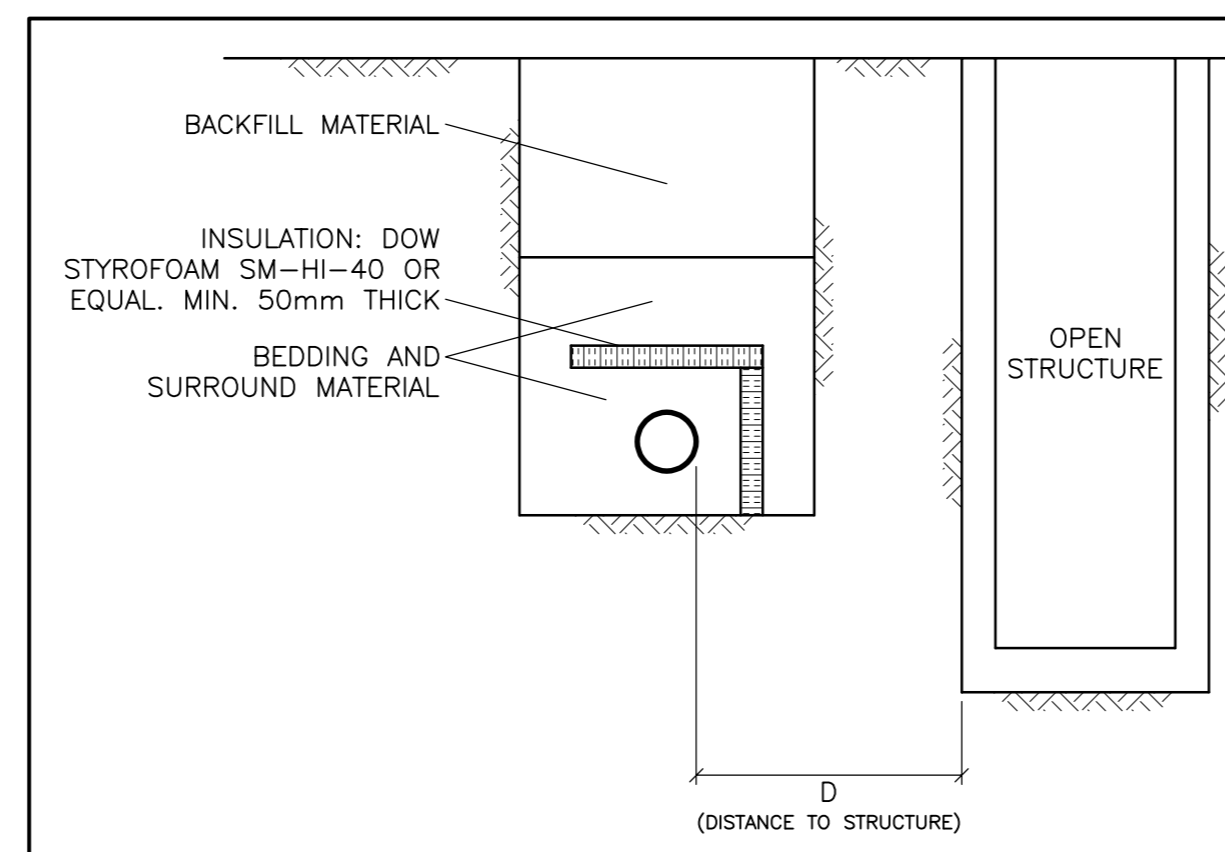
INSULATION OF SEWERS & SERVICE CONNECTIONS IN SHALLOW TRENCHES N.T.S



D (DEPTH OF COVER)	INSULATION THICKNESS	W (WIDTH OF INSULATION)
1800 TO 2000mm	50mm	1200mm
1500 TO 1800mm	75mm	1800mm
LESS THAN 1500mm	100mm	2400mm

INSULATE WATERMANS AND SERVICE CONNECTIONS AS INDICATED AND WHERE DEPTH OF COVER IS LESS THAN 2400mm. CENTER INSULATION OVER PIPE. STAGGER JOINTS BETWEEN SHEETS OF INSULATION.

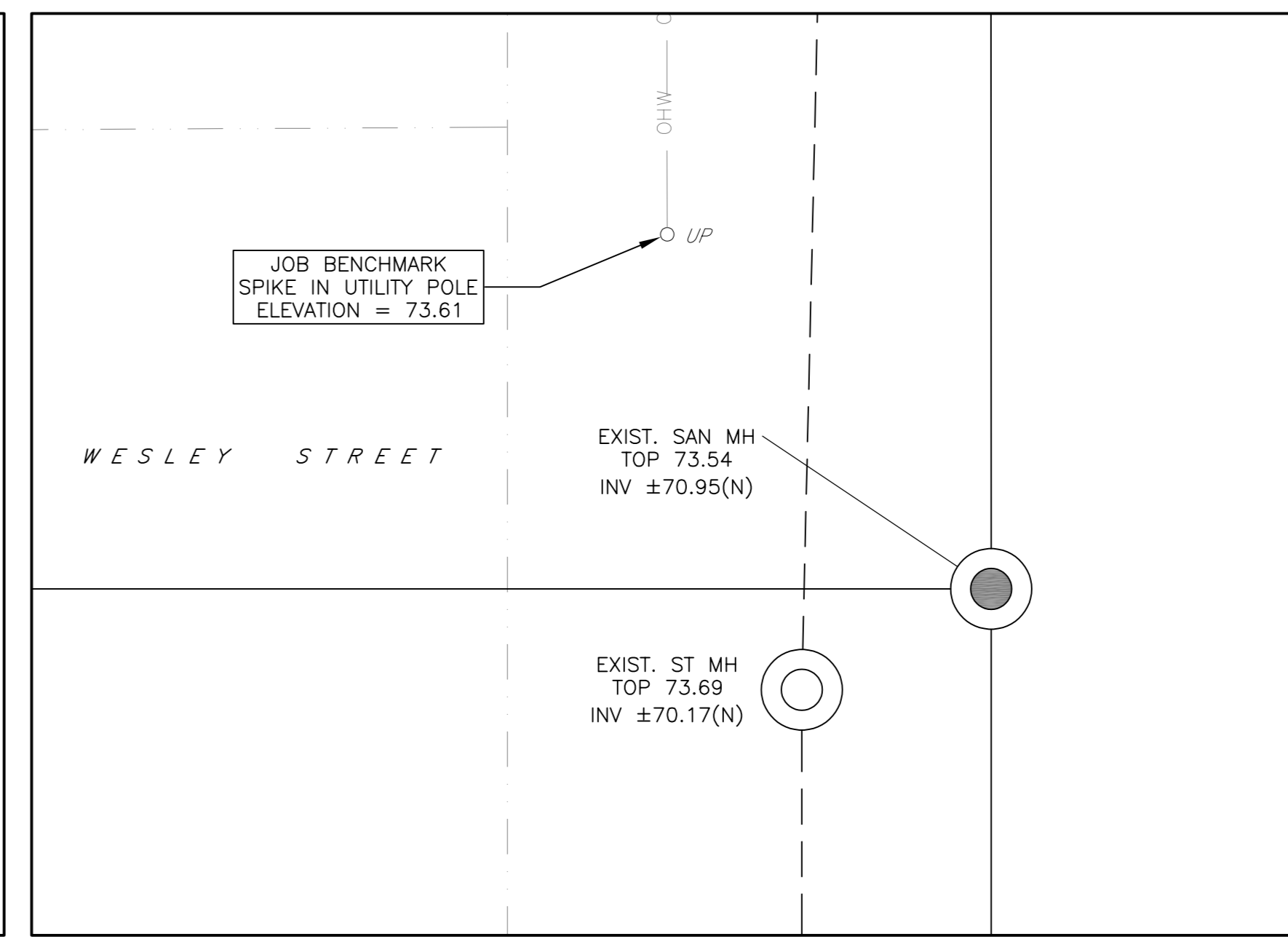
INSULATION OF WATERMANS & SERVICE CONNECTIONS IN SHALLOW TRENCHES N.T.S



D (DISTANCE TO STRUCTURE)	INSULATION THICKNESS
1800 TO 2400mm	50mm
1500 TO 1800mm	75mm
1200 TO 1500mm	100mm
900 TO 1200mm	125mm

INSULATE WATERMANS AND SERVICE CONNECTIONS AS INDICATED AND WHERE DISTANCE TO STRUCTURE IS LESS THAN 2400mm. CENTER INSULATION OVER PIPE. STAGGER JOINTS BETWEEN SHEETS OF INSULATION.

INSULATION OF WATERMANS & SERVICE CONNECTIONS AT OPEN STRUCTURES N.T.S



D. B. GRAY ENGINEERING INC.
Stormwater Management - Grading & Drainage - Storm & Sanitary Sewers - Watermain
 700 Long Point Circle 613-425-8044
 Ottawa, Ontario d.gray@dbgrayengineering.com

Project
PROPOSED 3.5-STOREY APARTMENT BUILDING
 436 ATHLONE AVENUE
 OTTAWA, ONTARIO

SITE SERVICING PLAN

Engineer's Seal

 Drawn D.B.G.
 H. Scale 1:100
 V. Scale
 Date MAY 5-22
 Job No. 22027
 Drawing No.
C-1
 of 3
 NOT VALID UNLESS SIGNED & DATED