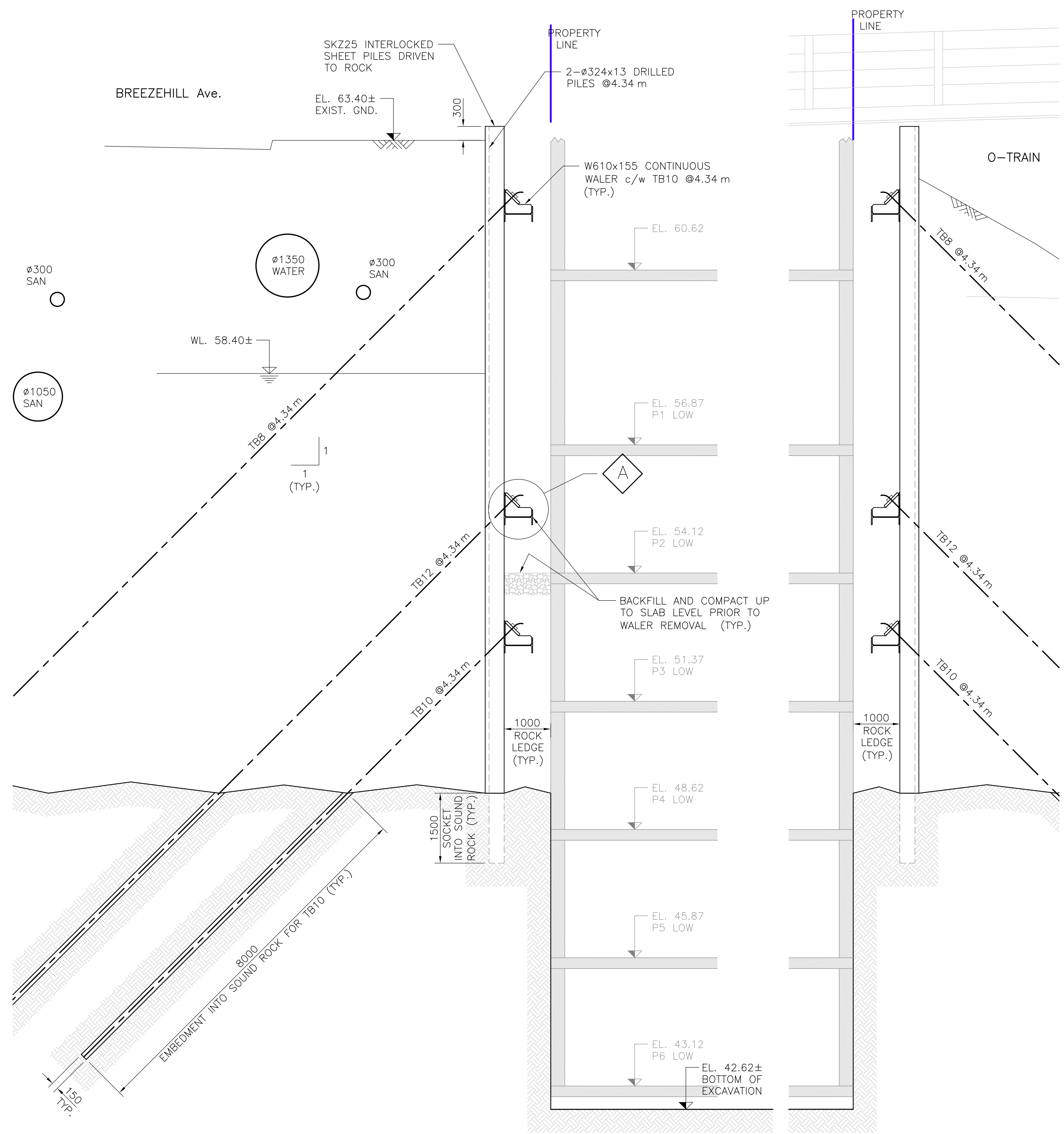
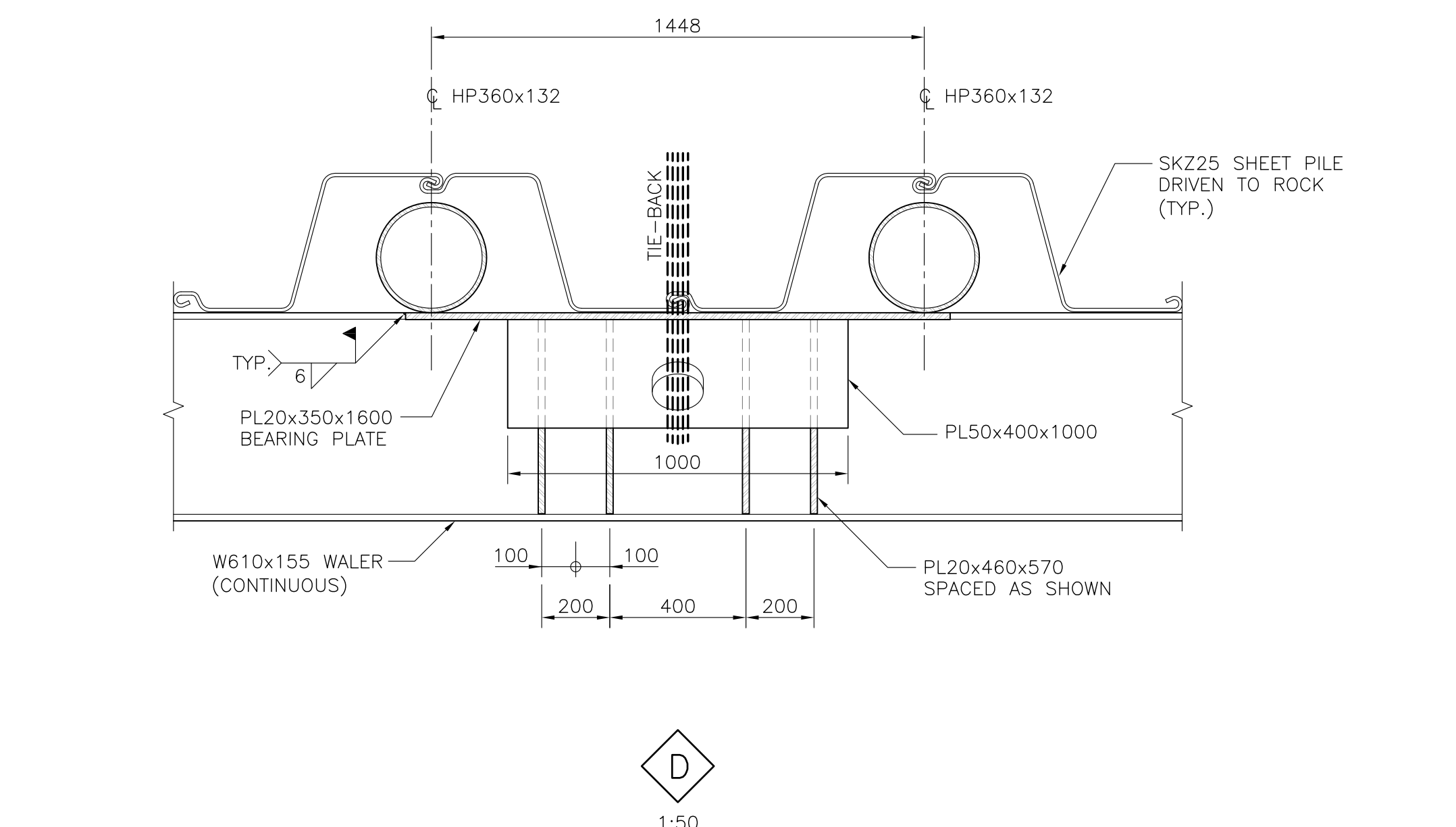
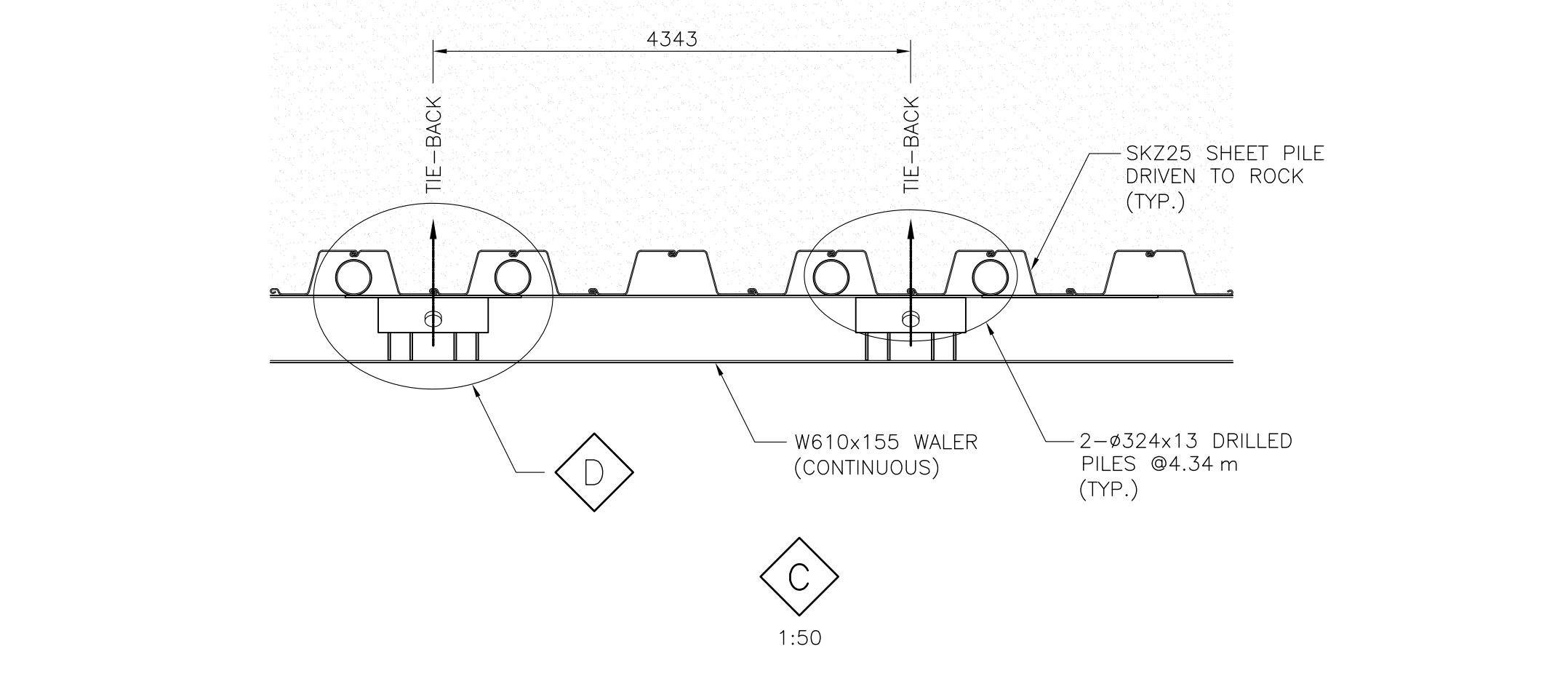
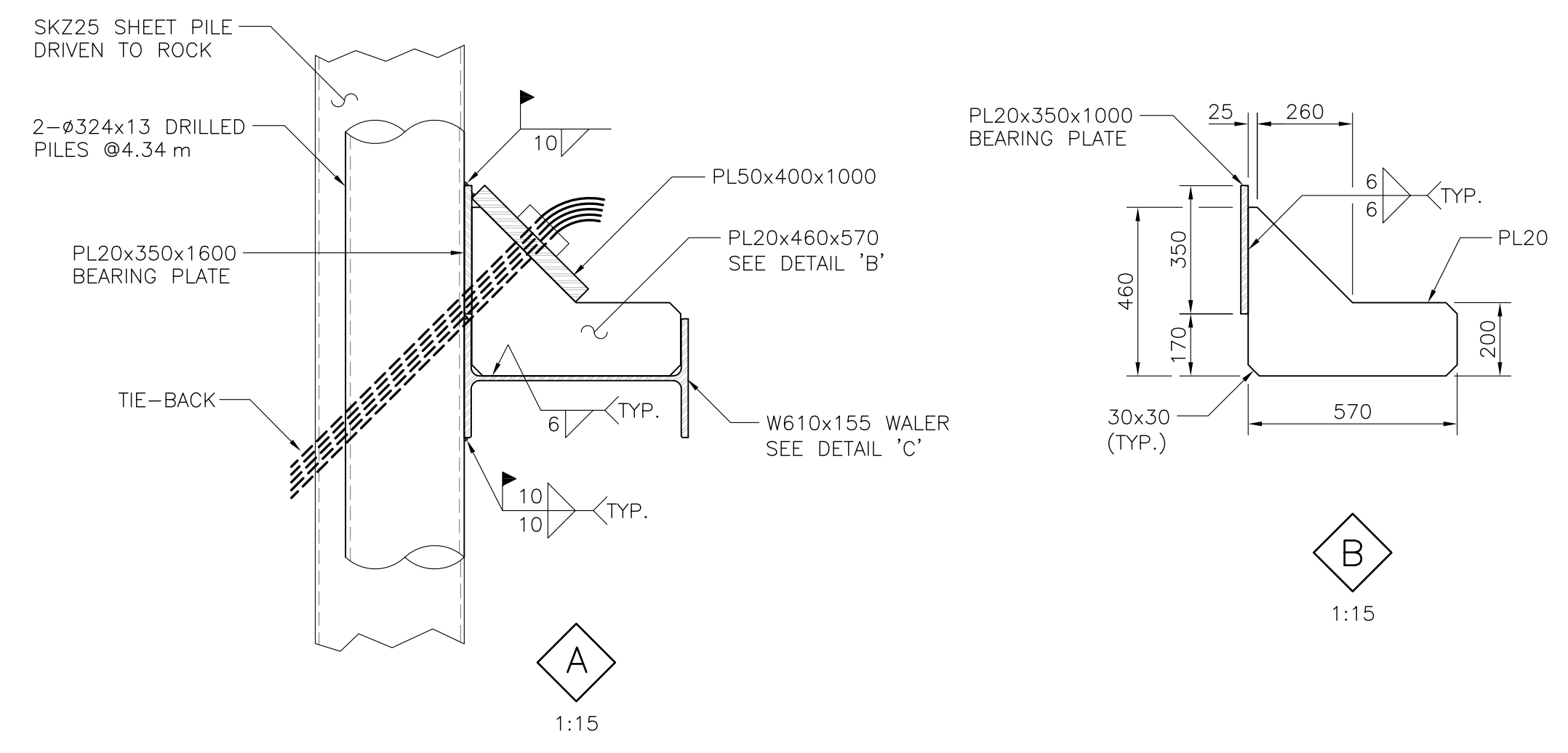


THE LOCATION OF UTILITIES IS APPROXIMATE ONLY, AND THE EXACT LOCATION SHOULD BE DETERMINED BY CONSULTING THE MUNICIPAL AUTHORITIES AND UTILITY COMPANIES CONCERNED. THE CONTRACTOR SHALL PROVE THE LOCATION OF UTILITIES AND SHALL BE RESPONSIBLE FOR ADEQUATE PROTECTION FROM DAMAGE DURING CONSTRUCTION.



NOTE:
EXACT ELEVATION OF BOTTOM OF EXCAVATION TO BE CONFIRMED BY ARCHITECT AND STRUCTURAL DESIGN ENGINEER



No.	Date	Revision	By:
4	MAR. 31/22	REVISED AS PER D+M REVIEW	W.R.
3	JUL. 19/21	UPDATED GEOTECH REPORT DATA	R.P.
2	MAY 27/21	REVISED FOR NEW UNDERGROUND	R.P.
1	MAR. 10/21	REVISED FOR SHEET PILES E&W	R.P.
0	FEB. 22/21	PRELIMINARY	R.P.

REMISZ
Consulting Engineers Ltd.

57 Auriga Dr. Suite 102
Ottawa, ON, K2E 8B2
tel.: (613) 225-1162
fax: (613) 225-4529

Client
CLARIDGE HOMES

Project
**1040 SOMERSET St. W
OTTAWA, ONTARIO**

Drawing
**EXCAVATION PROTECTION SYSTEM
SECTIONS THROUGH
EAST & WEST WALLS**

Designed	R.P. / M.K.	Date	JAN. 2021
Drawn	R.P. / M.K.	Scale	AS SHOWN
Checked	B.U. / W.R.	Sheet	7 OF 10
Project No.	2021-010-3	Dwg. No.	C-07

ANSI D

www.remisz.com

