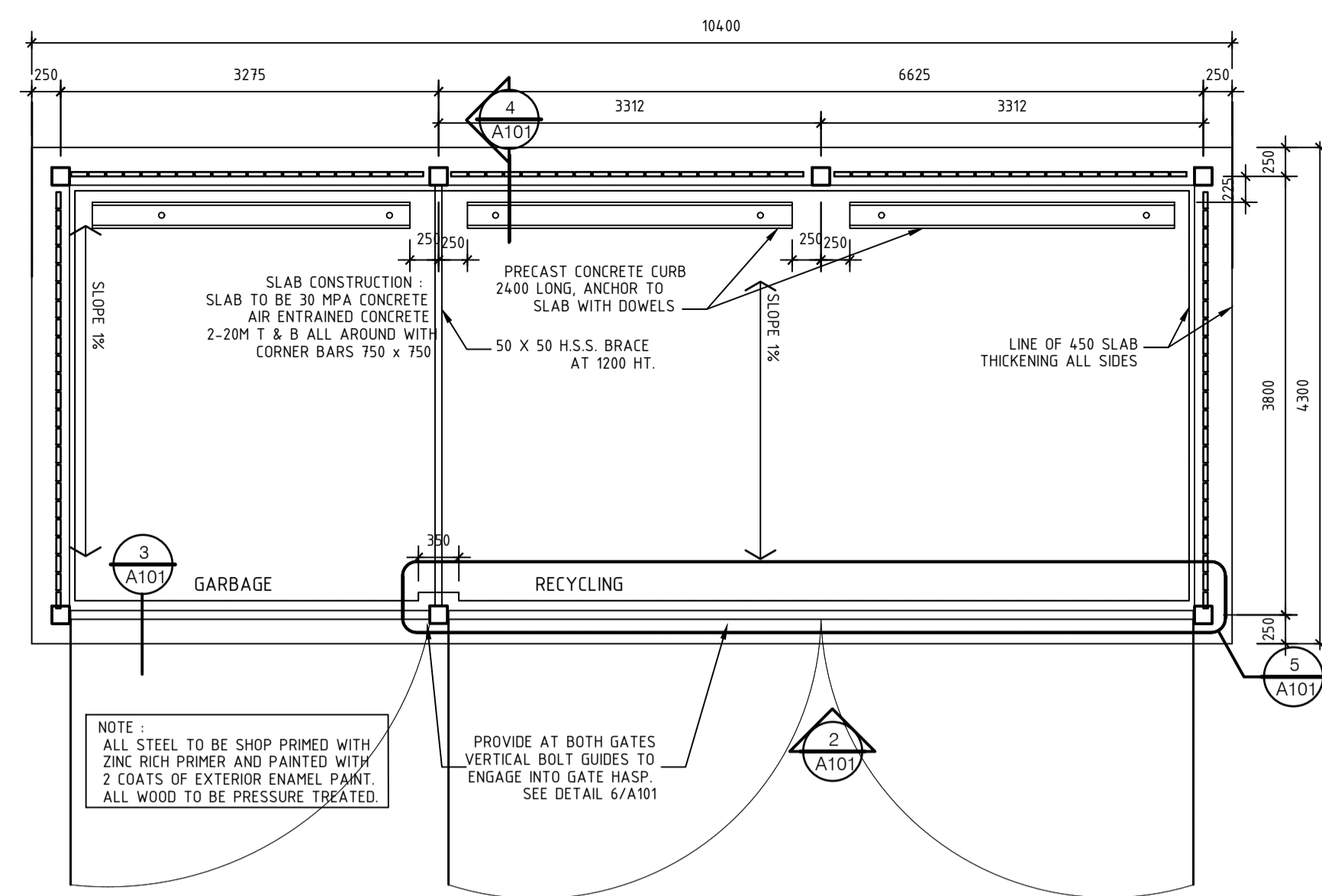


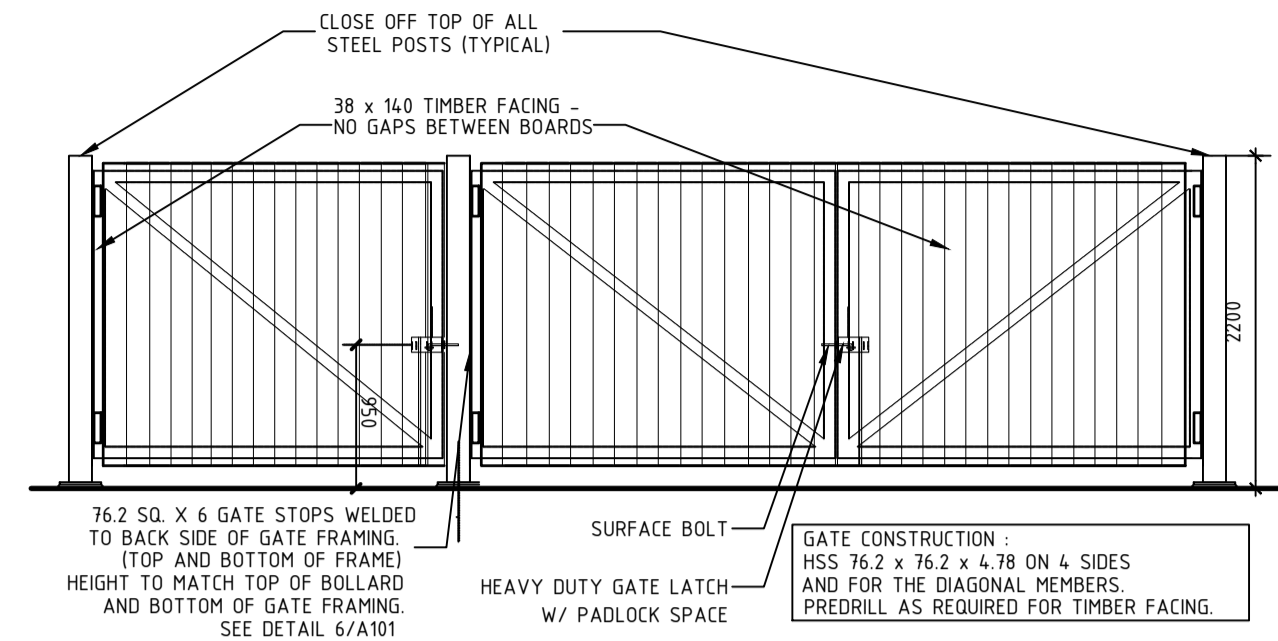


OTTAWA CATHOLIC SCHOOL BOARD

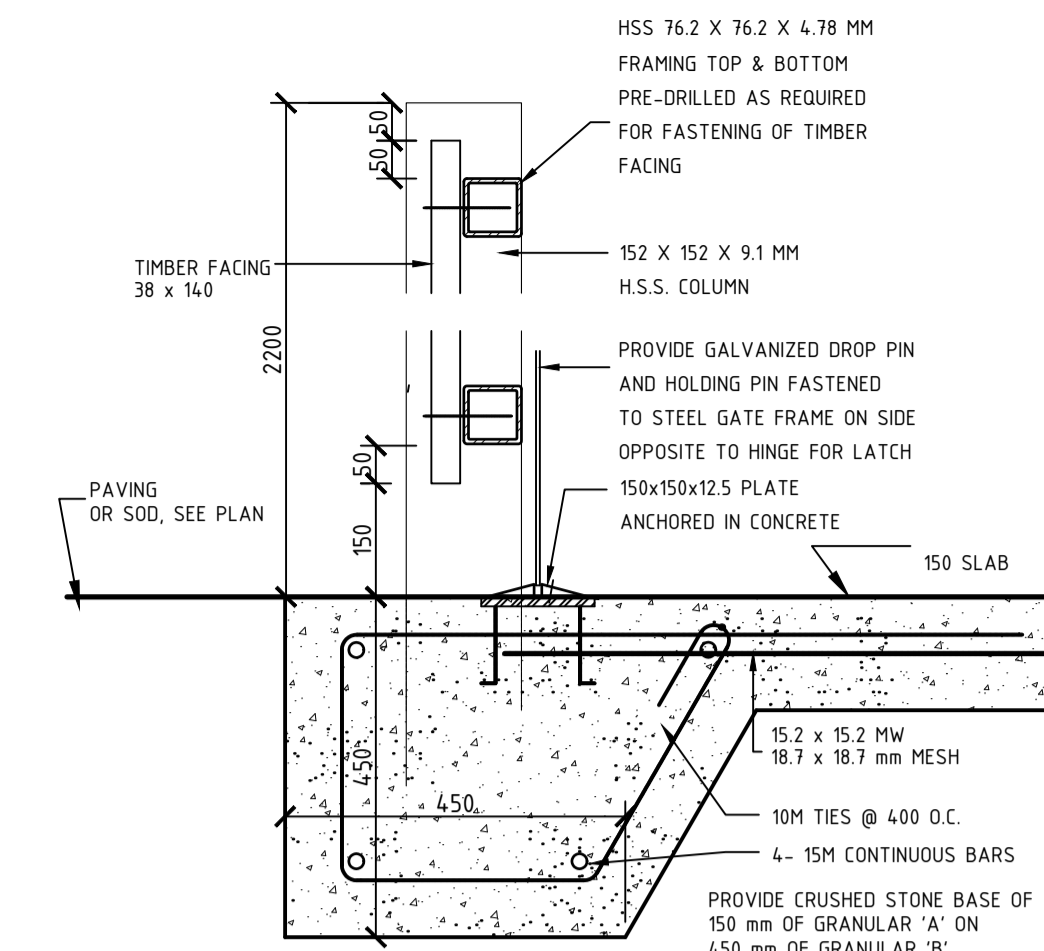
570 WEST HUNT CLUB ROAD, NEPEAN, ON, K2G 3K4 (613)224-4455



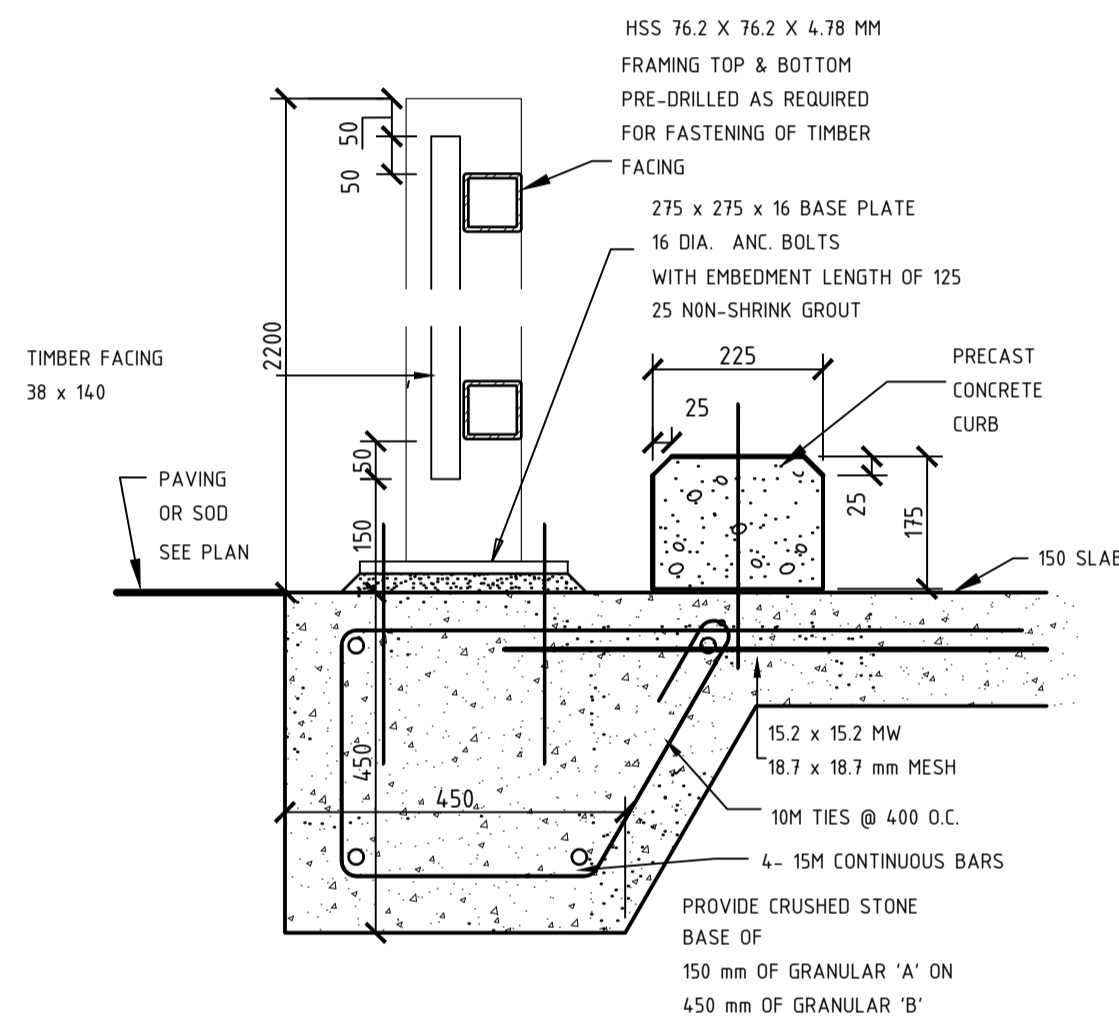
1 GARBAGE ENCLOSURE PLAN SCALE 1:50



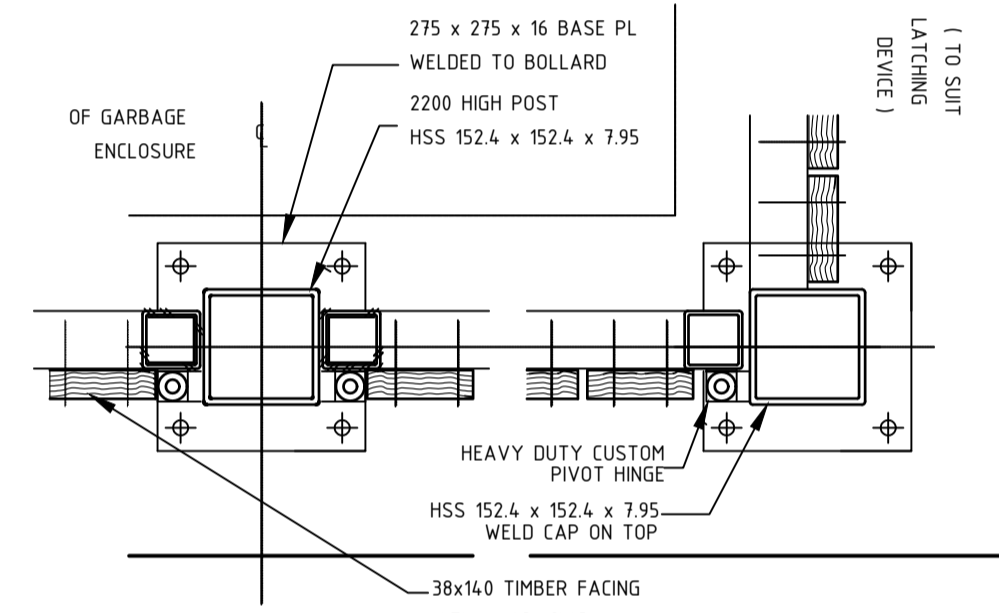
2 GARBAGE ENCLOSURE ELEVATION SCALE 1:50



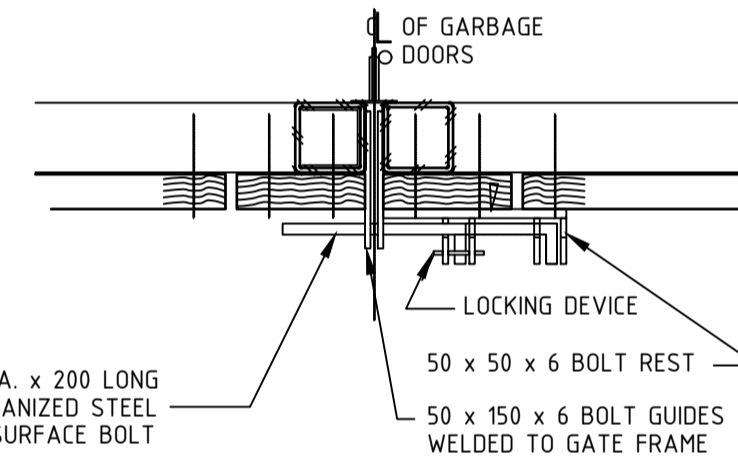
3 GARBAGE ENCLOSURE SECTION DETAIL SCALE 1:10



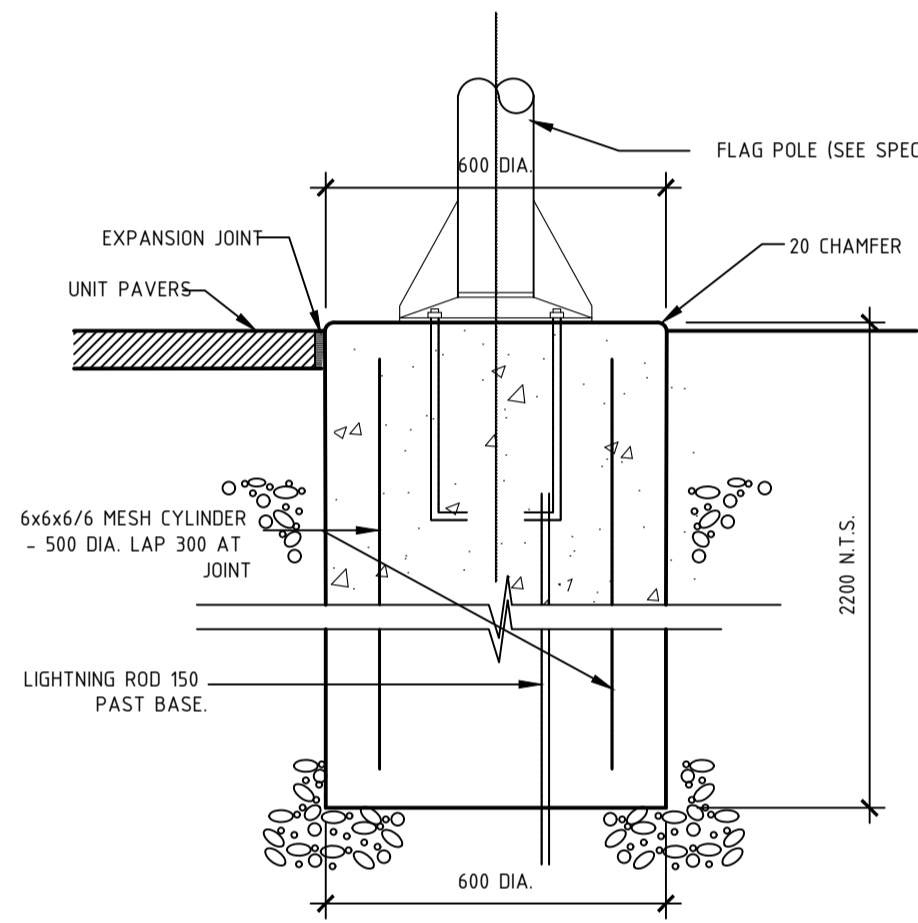
4 GARBAGE ENCLOSURE SECTION DETAIL SCALE 1:10



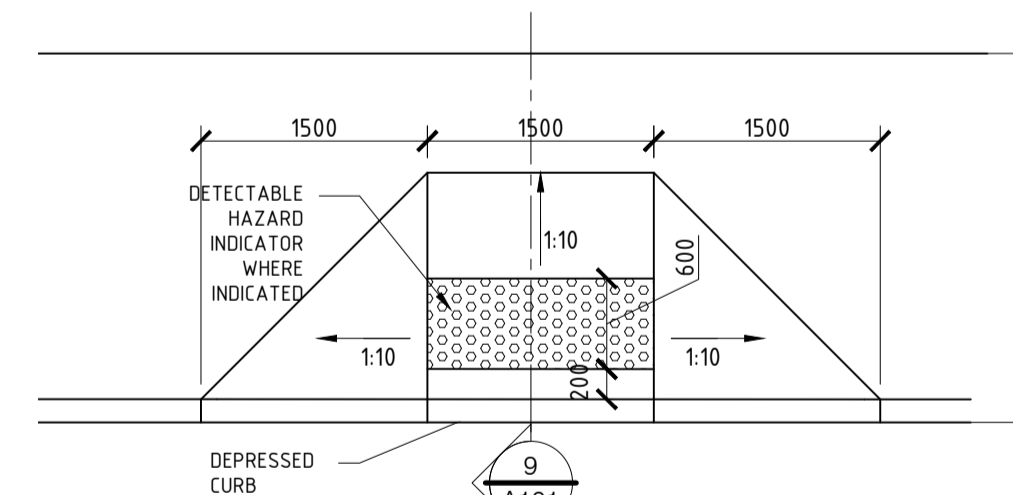
5 GARBAGE ENCLOSURE PLAN DETAIL SCALE 1:10



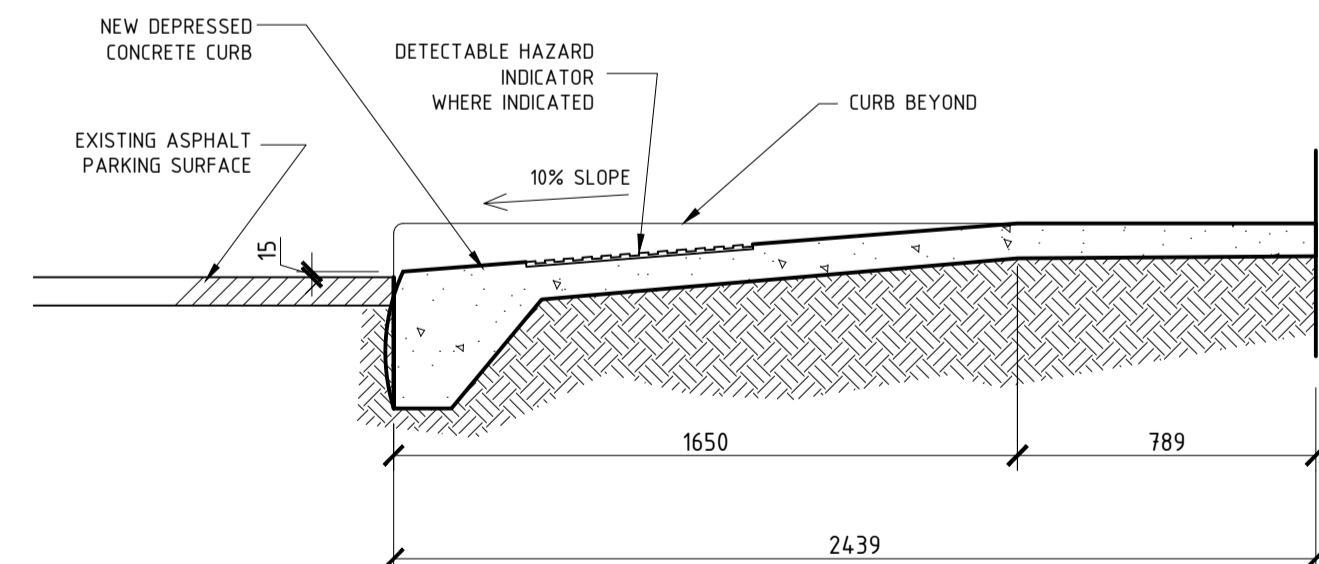
6 GARBAGE ENCLOSURE LATCH SECTION SCALE 1:10



7 FLAGPOLE BASE SECTION SCALE 1:20



8 DEPRESSED CURB PLAN DETAIL SCALE 1:50



9 DEPRESSED CURB SECTION DETAIL SCALE 1:10

REV	REVISION DESCRIPTION	DATE
3	ISSUED FOR SITE PLAN CONTROL COMMENTS	10/MAR/2022
2	ISSUED FOR 80%/CLASS A COST ESTIMATE	30/NOV/2021
1	ISSUED FOR SITE PLAN APPLICATION	23/NOV/2021

THIS DRAWING IS THE EXCLUSIVE PROPERTY OF PYE & RICHARDS - TEMPRANO & YOUNG ARCHITECTS INC. COPYRIGHT RESERVED

CONTRACTOR TO VERIFY ALL DIMENSIONS AND NOTIFY THE ARCHITECT OF ANY DIMENSIONAL ERRORS AND/OR POSSIBLE TRADE INTERFERENCE/CONFLICT FOR CLARIFICATION PRIOR TO COMMENCEMENT OF THE WORK. DO NOT SCALE DRAWINGS.

SEAL PROJECT NORTH

Not for construction unless SEALED and SIGNED

PR TY PYE & RICHARDS - TEMPRANO & YOUNG ARCHITECTS INC.

824 Meath St. Suite 200 613. 724. 7700 Ottawa, ON K1Z 6E8 info@prty.ca

PROJECT OCSB BARRHAVEN CATHOLIC ELEMENTARY SCHOOL

135 MAIN HALYARD LANE OTTAWA, ONTARIO

DRAWING SITE PLAN DETAILS

PROJECT NO.	21007	DRAWING NO.	A101
SCALE	AS NOTED		
DRAWN			
CHECKED	I.R.		
PLOT DATE	10/03/2022	PLOTTED BY:	

#18631