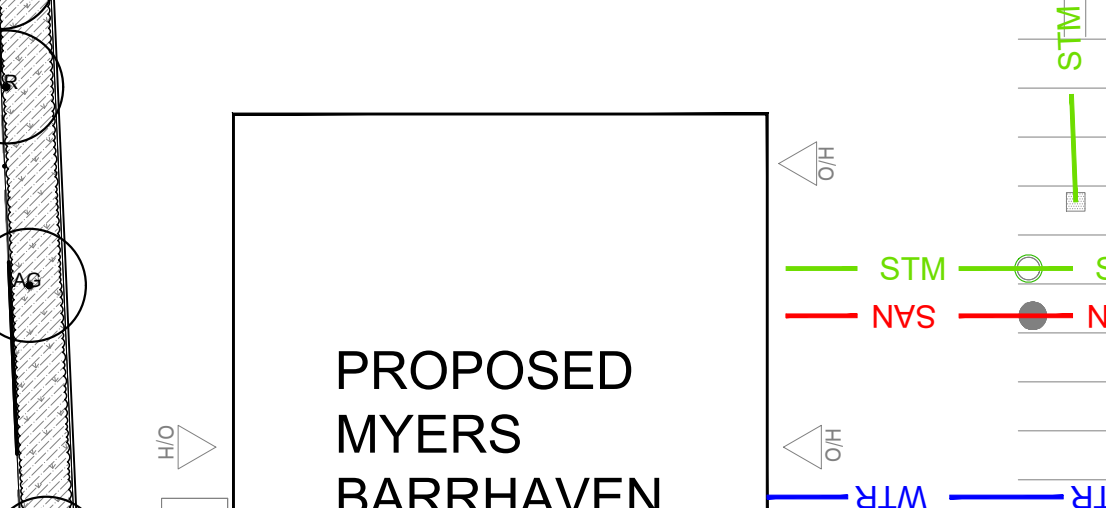
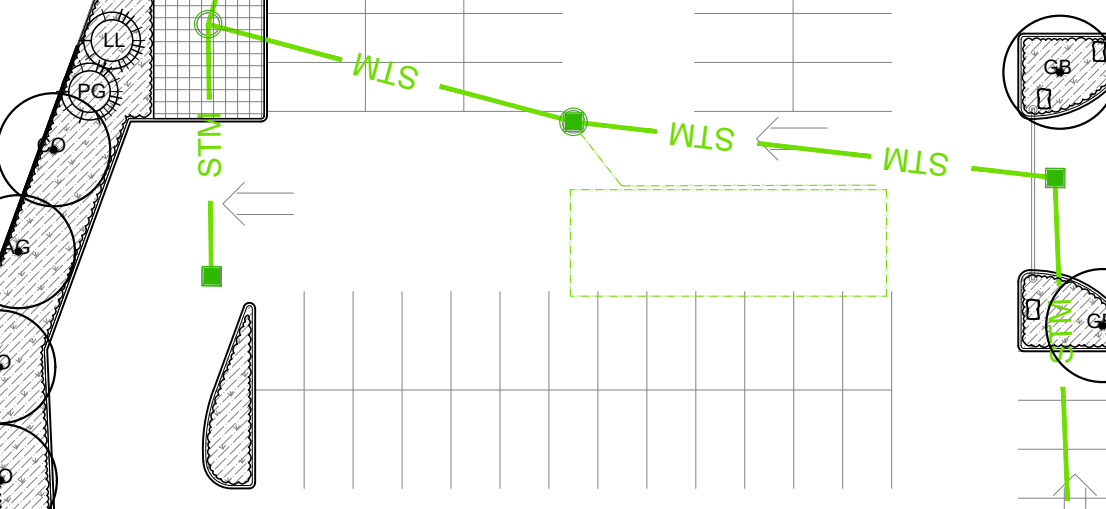
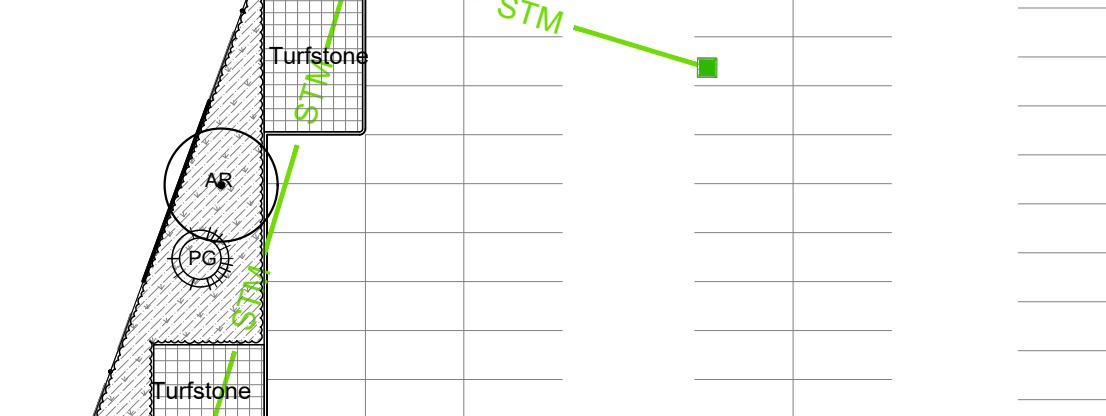
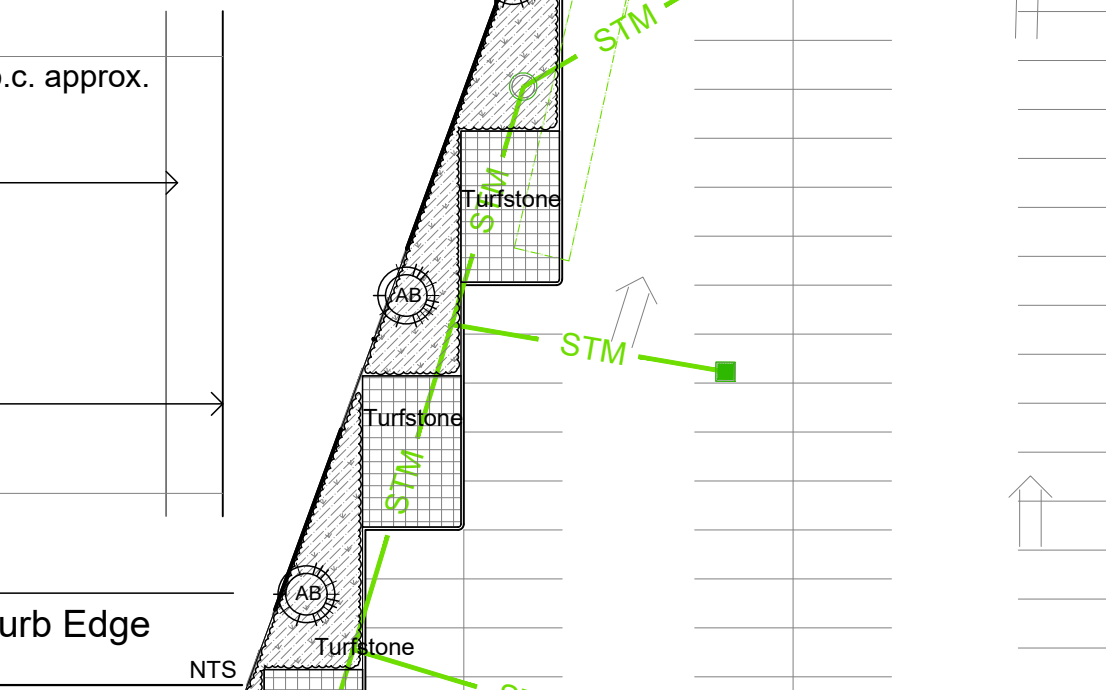
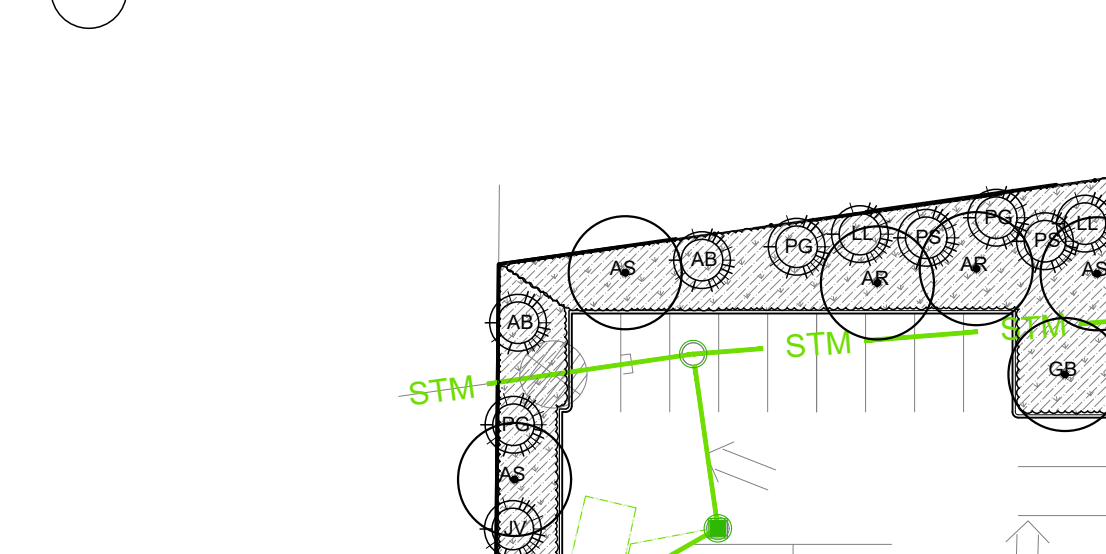
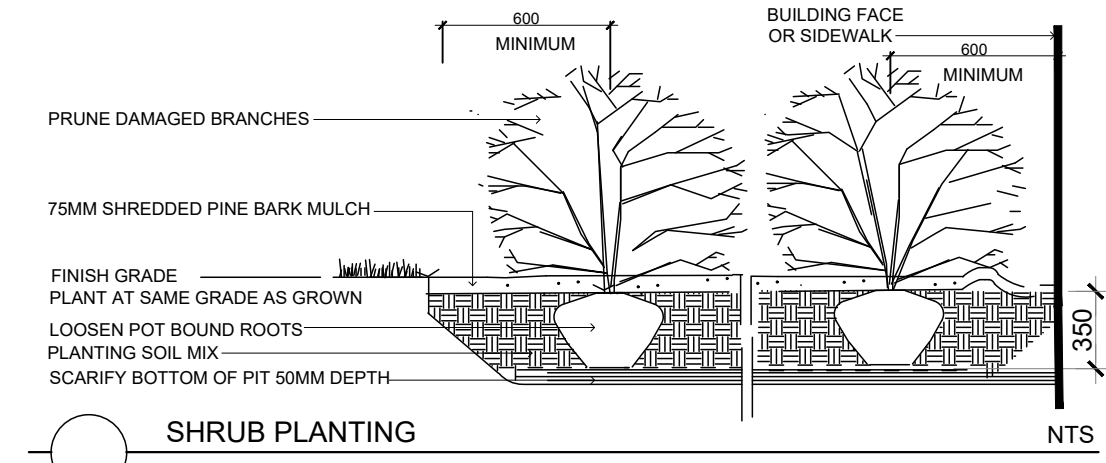
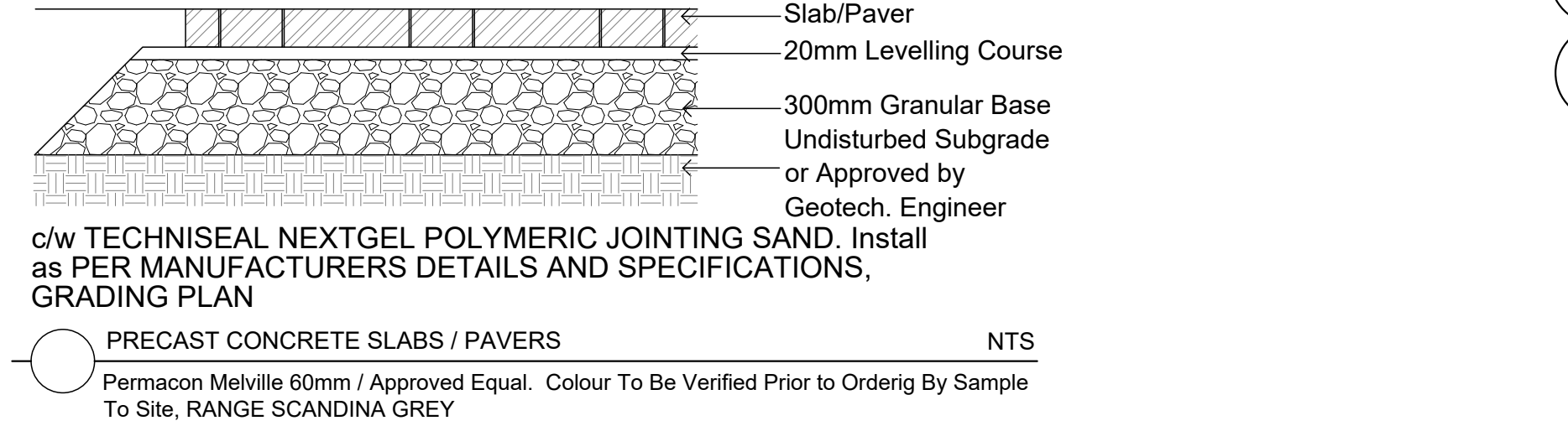
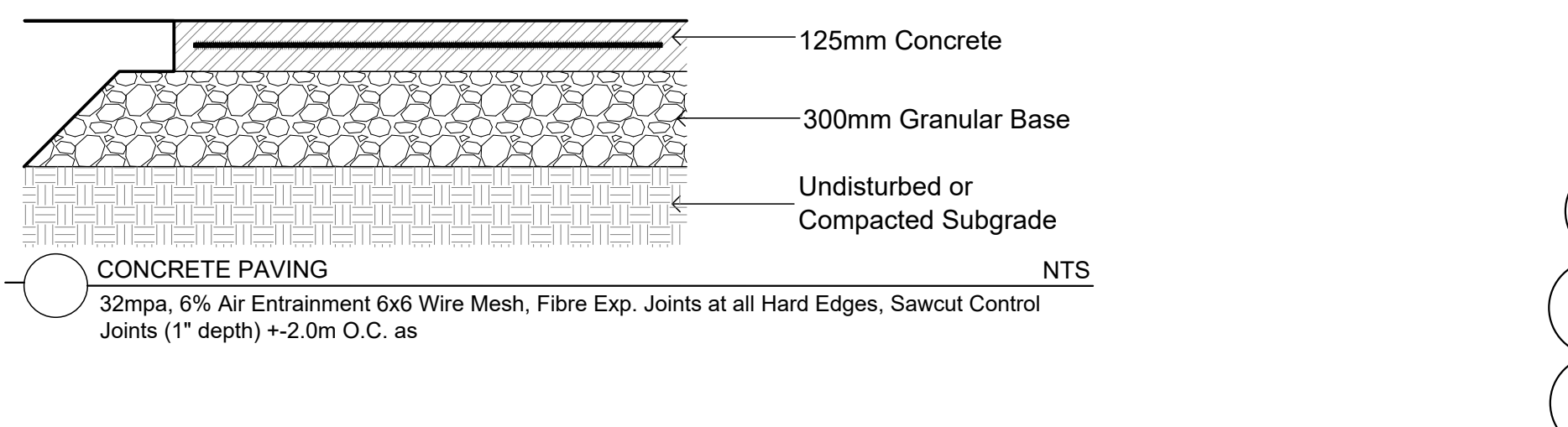
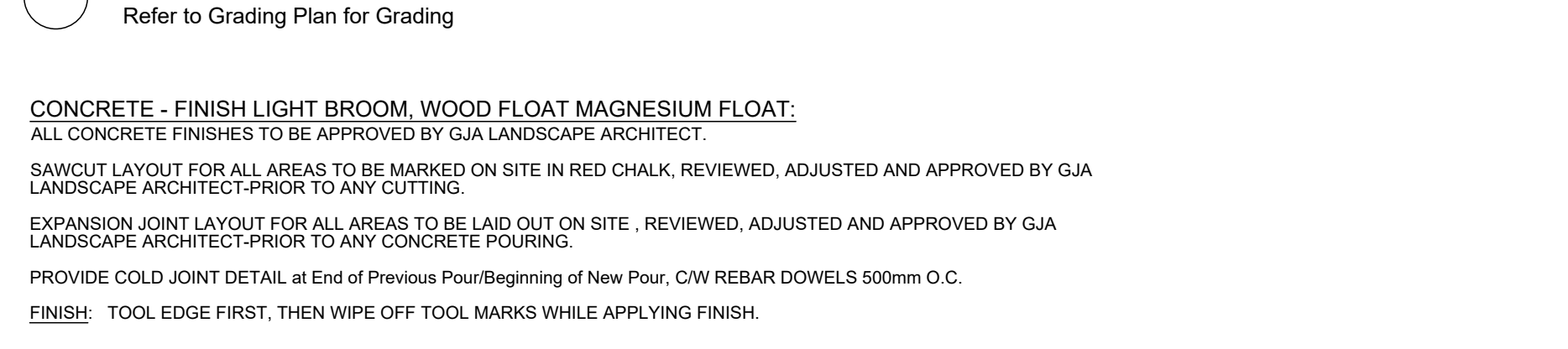
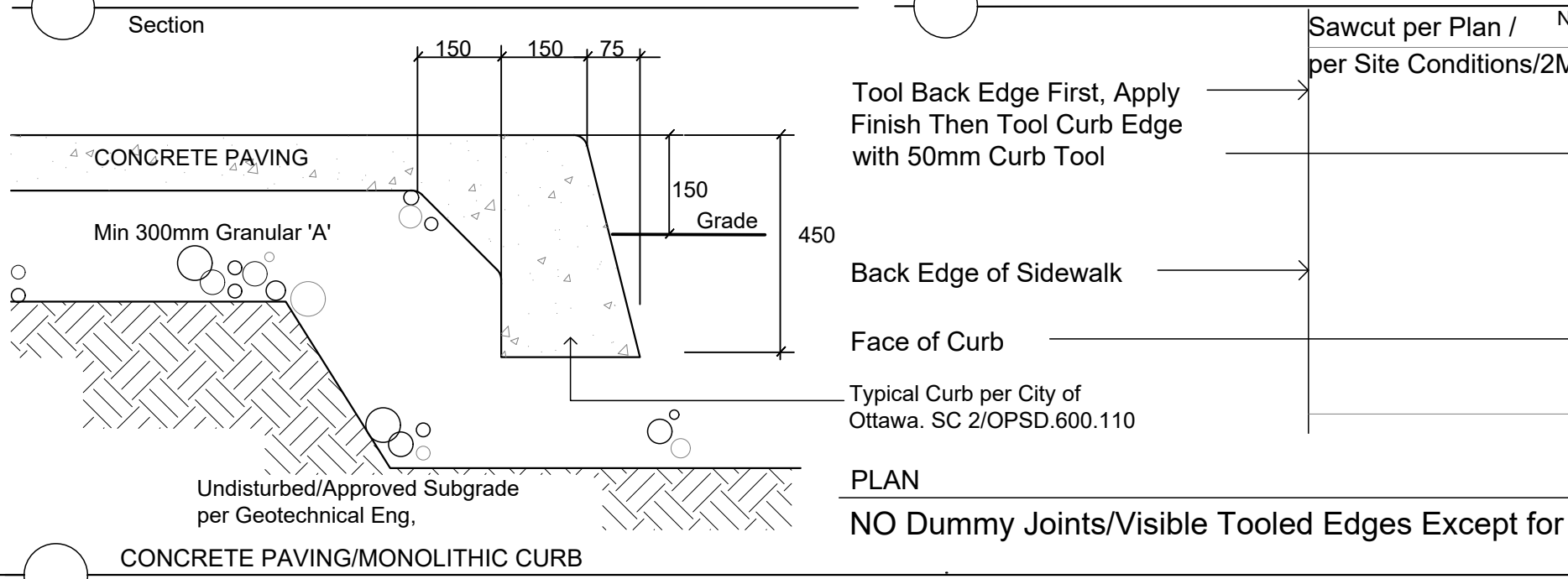
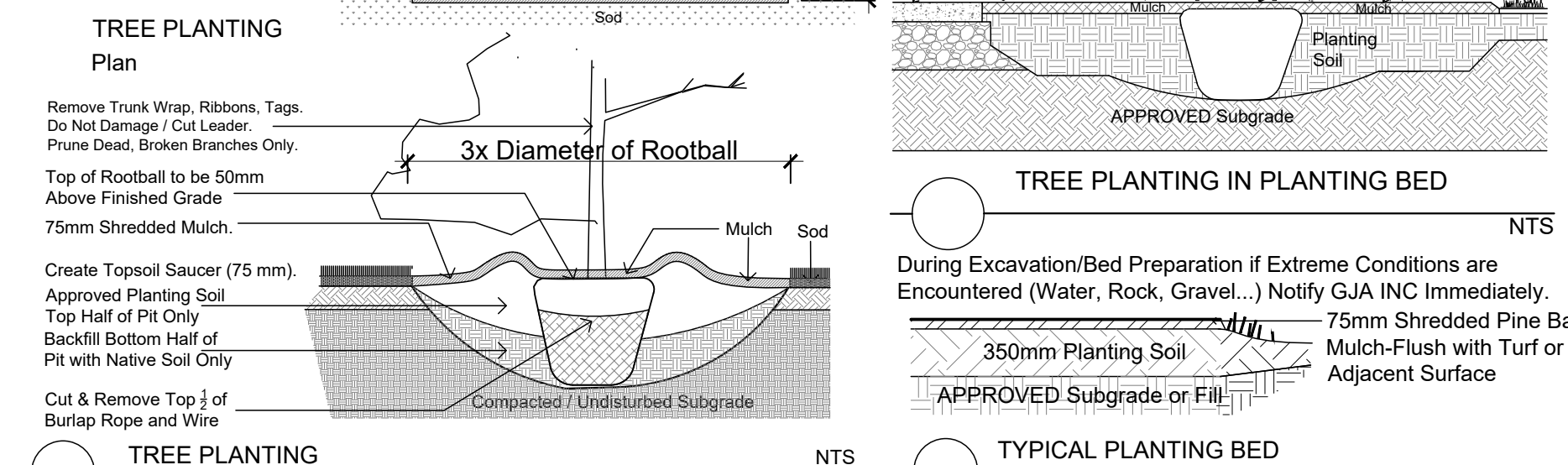
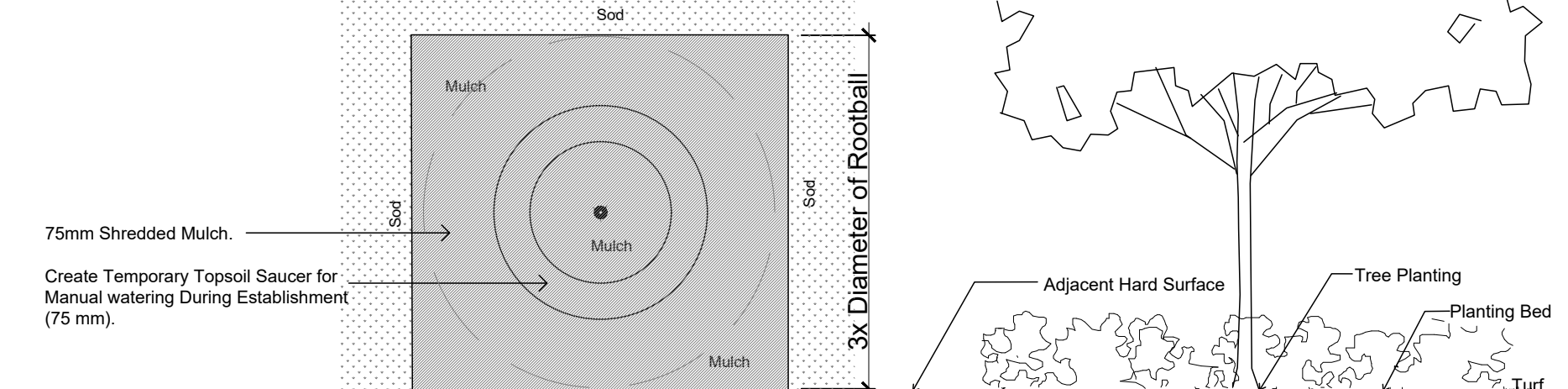


Drawing Remains the Property of/Copyright Reserved by GJA INC. Do Not Use or Reproduce Without Approval of GJA INC. NOT To Be Used For Construction Unless indicated by Revision: "FOR LANDSCAPE CONSTRUCTION". Contractor is Responsible for Verification of Site Locations of all Utilities. Report any Discrepancies Between Site and Drawing Immediately to GJA INC. Do NOT Proceed Until Clarified.

TURF AREAS TO BE SOD C/W 150MM DEPTH TOPSOIL ON APPROVED SUBGRADE | SOD TO BE #1 GRADE TURFGRASS NURSERY SOD per NSGA - Fine Fescue/Kentucky Bluegrass Sod | PLANTING MIX TO BE APPROVED BY LANDSCAPE ARCHITECT | PLANT MATERIAL TO MEET CNLA STANDARDS/BE APPROVED BY LANDSCAPE ARCHITECT PRIOR TO PLANTING | ALL MATERIALS & WORK TO BE MAINTAINED UNTIL FINAL ACCEPTANCE, (MOWING TURF, WEEDING BEDS, WATERING TURF & PLANTS) & INCLUDE 1 YEAR WARRANTY FROM DATE OF FINAL ACCEPTANCE | PROVIDE WATERING OF ALL PLANT MATERIAL AS REQUIRED FOR PROPER ESTABLISHMENT UNTIL END OF WARRANTY PERIOD | REFER TO CIVIL ENGINEER'S DRAWING FOR ELEVATIONS / GRADING |

The Landscape Plan is to be read in conjunction with the grading, servicing, site and survey plan | Bare root material to be planted in season only | All plant material locations to be staked on site by the landscape contractor and checked by the landscape architect prior to planting | All trees to be preserved on or directly adjacent to the site will be protected | Plant material are to be installed a minimum of: 3.0m corridor between a fire hydrant and the curb, a 2.5m radius beside or behind a fire hydrant, 2.0m from any servicing/utility line or structure |

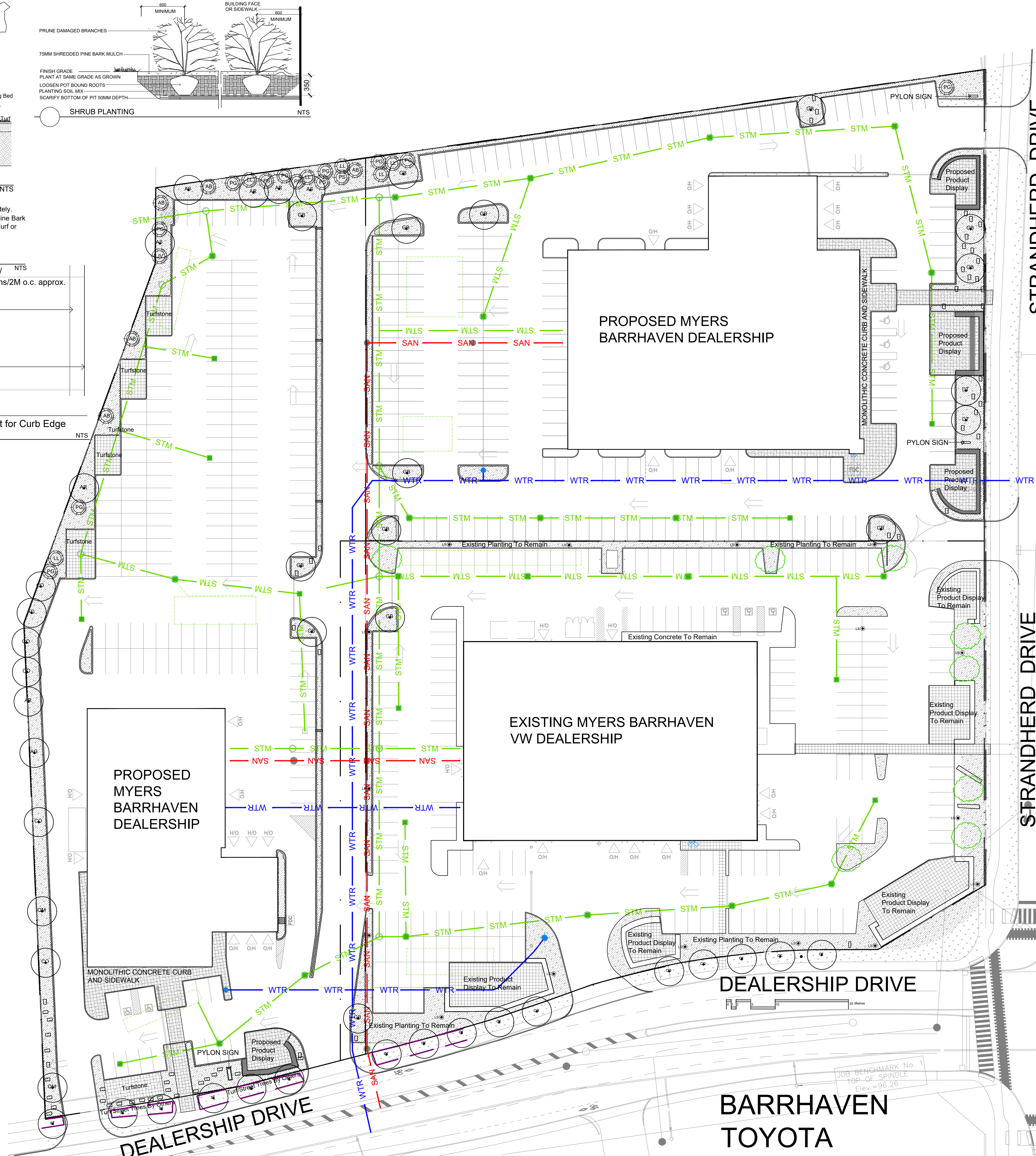


CALLIPER B AND B TREES - MYERS BARRHAVEN

Code	Qty.	Botanical Name	Common Name	Size	Condition
AC	tbd	Amelanchier canadensis	Tree Serviceberry	60mm cal	B + B specimen
AG	tbd	Aesculus glabra	Ohio Buckeye	60mm cal	B + B specimen
AR	tbd	Acer rubrum	Red Maple	70mm cal	B + B specimen
AS	tbd	Acer saccharum	Sugar Maple	70mm cal	B + B specimen
BP	tbd	Betula papyrifera	Paper Birch	60mm cal	B + B specimen
CO	tbd	Celtis occidentalis	Common Hackberry	60mm cal	B + B specimen
CCG	tbd	Crataegus crus-galli 'Inermis'	Thornless Cockspur Hawthorn	60mm cal	B + B specimen
GB	tbd	Ginkgo biloba	Maidenhair Tree	70mm cal	B + B specimen
GD	tbd	Gymnocladus dioica	Kentucky Coffee Tree	60mm cal	B + B specimen
JN	tbd	Juglans nigra	Black Walnut	60mm cal	B + B specimen
OV	tbd	Ostrya virginiana	Hophornbeam Ironwood	60mm cal	B + B specimen
PP	tbd	Prunus pensylvanica	Pin Cherry	60mm cal	B + B specimen
QM	tbd	Quercus macrocarpa	Burr Oak	70mm cal	B + B specimen
QR	tbd	Quercus rubra	Red Oak	60mm cal	B + B specimen
AB	tbd	Abies balsamea	Balsam Fir	1.75m Ht.	B + B specimen
JV	tbd	Juniperus virginiana	Eastern Red Cedar	1.5m Ht.	B + B specimen
LL	tbd	Larix laricina	Eastern Larch / Tamarack	1.75m Ht.	B + B specimen
PG	tbd	Picea glauca	White Spruce	2.0m Ht.	B + B specimen
PS	tbd	Pinus strobus	White Pine	1.5m Ht.	B + B specimen

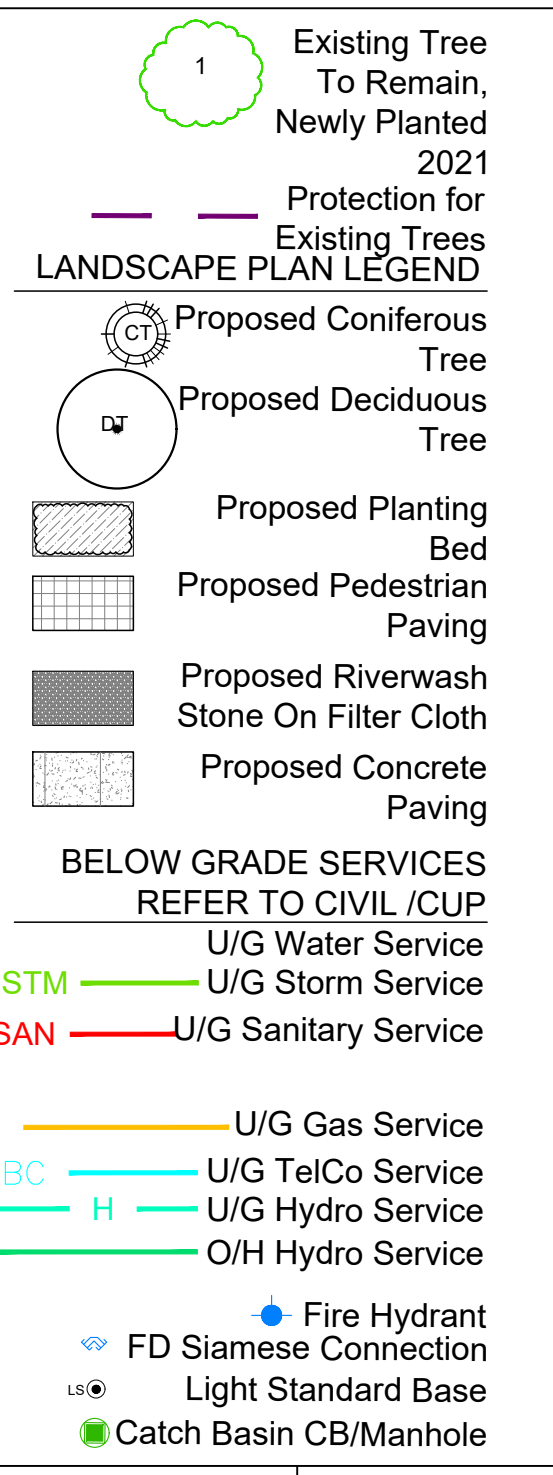
POTTED SHRUBS - MYERS BARRHAVEN

Code	Qty.	Botanical Name	Common Name	Size	Condition
ac	55	Amelanchier canadensis	Serviceberry	80cm Ht.	Pot
cr	35	Cornus racemosa	Grey Dogwood	80cm Ht.	Pot
HK	1250	Hypericum kalmianum	St. John's Wort	30cm Ht.	Pot
RP	75	Rosa palustris	Swamp Rose	50cm Ht.	Pot
RT	25	Rhus typhina	Staghorn Sumac	60cm Ht.	Pot
SA	225	Symphoricarpos albus	Snowberry	60cm Ht.	Pot
SA	175	Spiraea alba	Meadowsweet	60cm Ht.	Pot
SB	750	Spiraea bumalda 'Dart's Red'	Dart's Red Spirea	40cm Ht.	Pot
VI	65	Viburnum lentago	Nannyberry	80cm Ht.	Pot

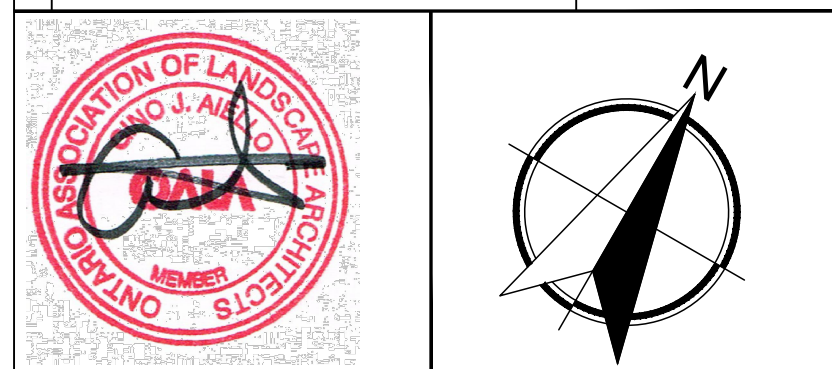


STRANDHERD DRIVE

STRANDHERD DRIVE



1	SITE PLAN CONTROL SUBMISSION 1	MARCH 1 2022
0	REVIEW/COORDINATION	JANUARY 2022
#	Revision	Date



Property Owner **ZENA INVESTMENT CORPORATION**
ADDRESS PHONE

Gino J. Aiello | landscape architect GJALA.com
GJA Inc. Gino@GJALA.com (613) 286 5130
110 Dabrye Road Unit #9 | Ottawa Ontario | K2T 0C2

Project **MYERS AUTOMOTIVE DEALERSHIPS**
STRANDHERD ROAD AND DEALERSHIP DRIVE

Landscape Plan
Scale: 1:400 Sheet Number
City of Ottawa Dwg - ##### **L1**
D07

JOB BENCHMARK No. 1
TOP OF SPINDLE
Elev. = 96.26