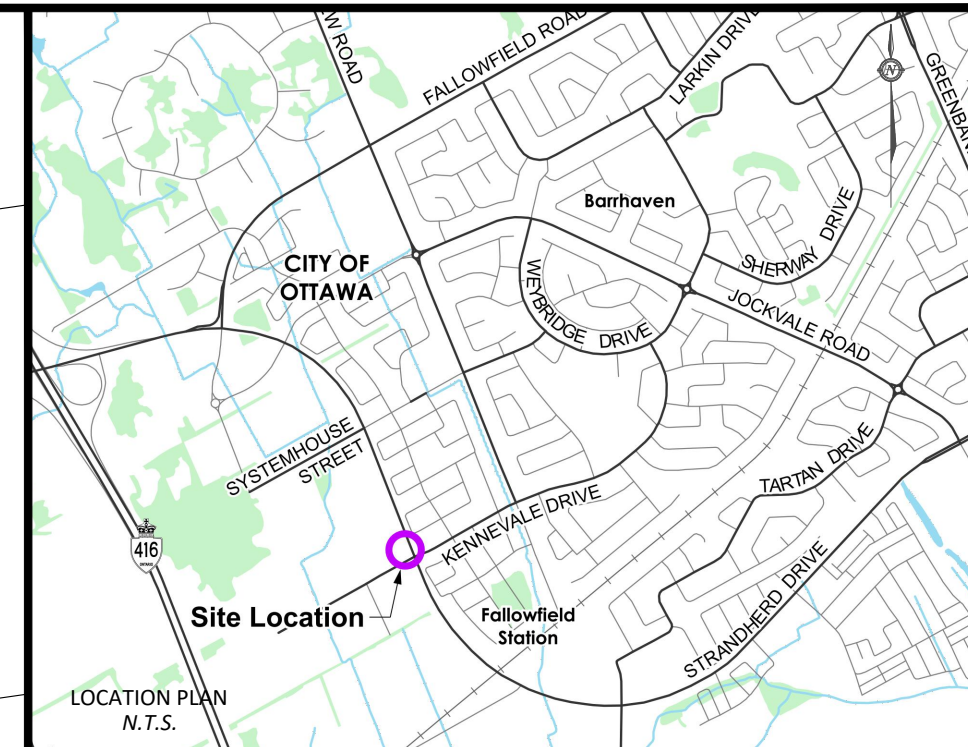
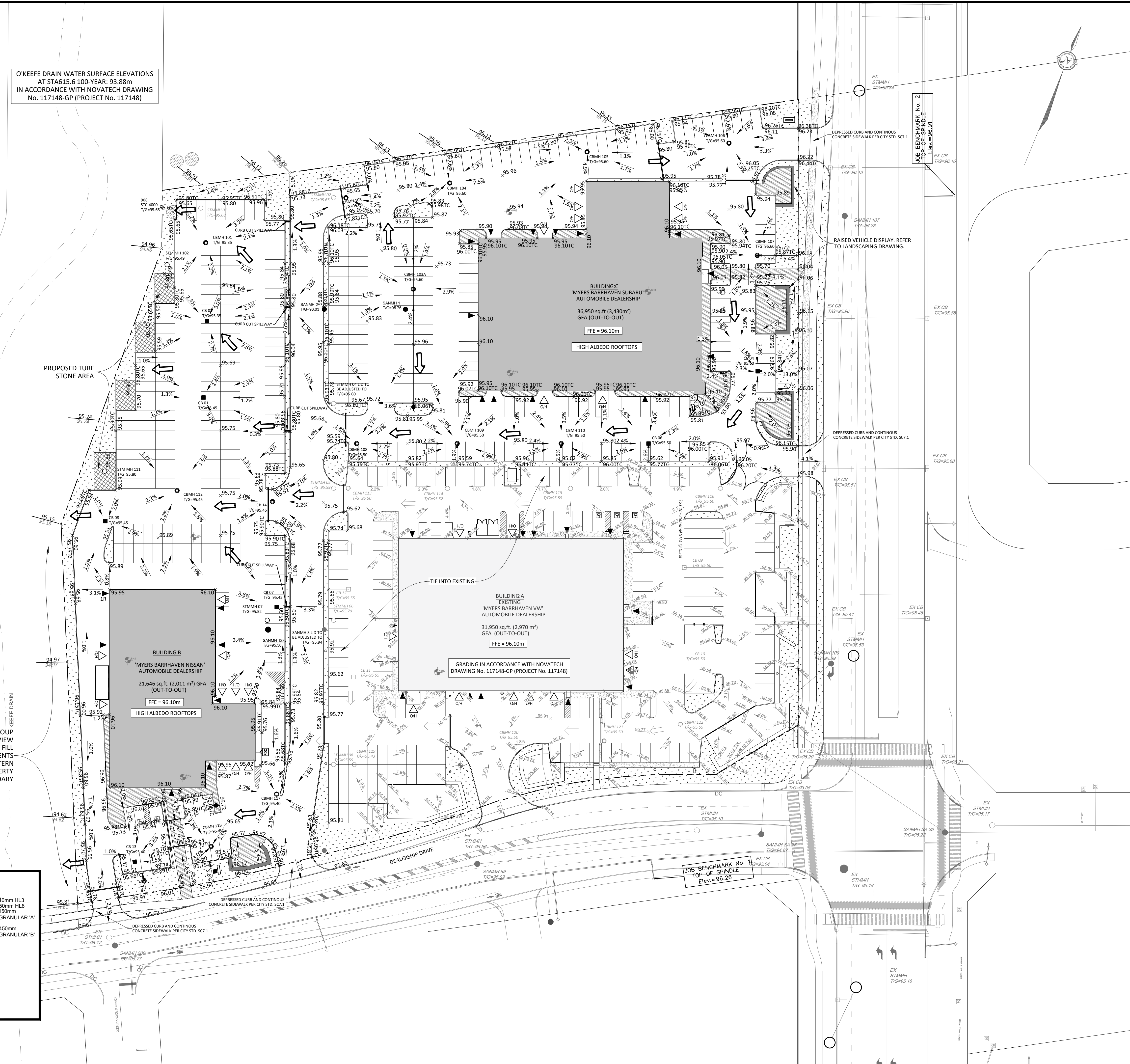
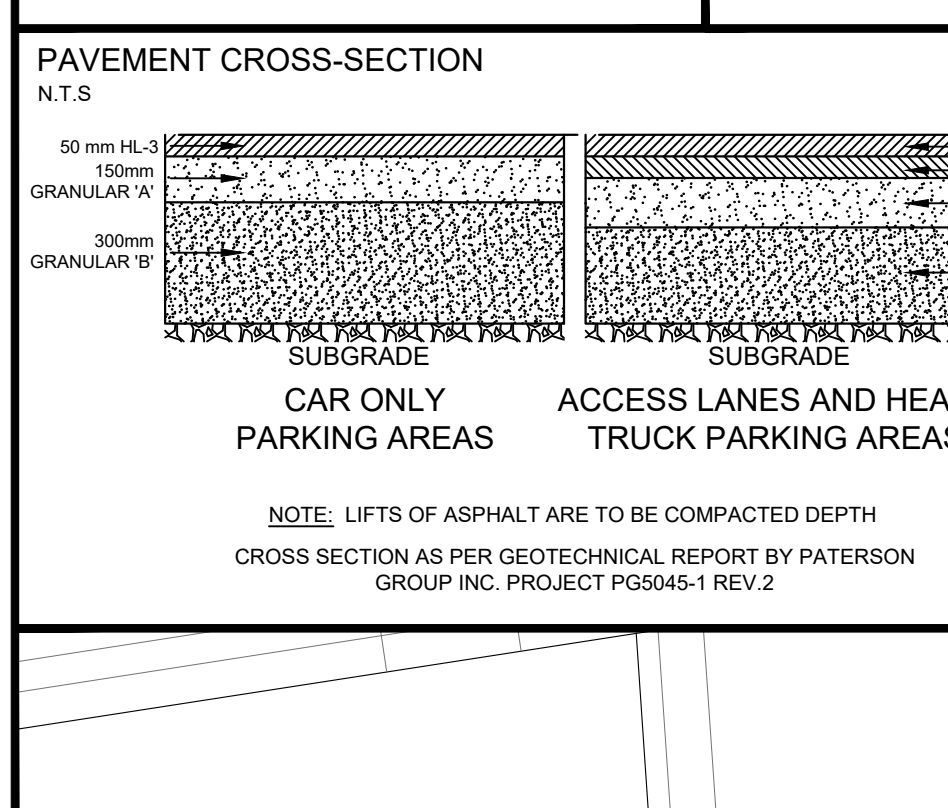
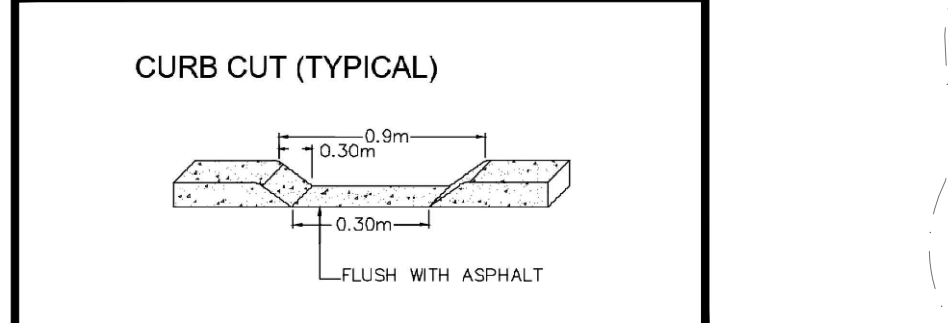
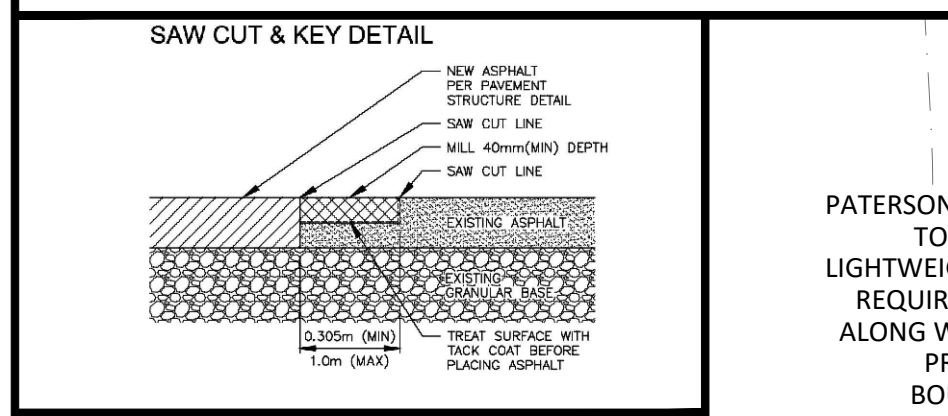


- GENERAL NOTES**
- THE ORIGINAL TOPOGRAPHY, GROUND ELEVATION AND SURVEY DATA SHOWN ARE SUPPLIED FOR INFORMATION PURPOSES ONLY, AND IMPLY NO GUARANTEE OF ACCURACY. IT SHALL BE THE RESPONSIBILITY OF THE CONTRACTOR TO VERIFY ALL INFORMATION SHOWN.
 - THIS PLAN IS NOT A CADASTRAL SURVEY SHOWING LEGAL PROPERTY BOUNDARIES AND EASEMENTS. THE PROPERTY BOUNDARIES SHOWN HEREON HAVE BEEN DERIVED FROM INFORMATION SUPPLIED BY (OR SHOWN ON) ANNS, G'SULLIVAN, VOLLEBERG LTD. JOB # 19866-19 AND CANNOT BE RELIED UPON TO BE ACCURATE OR COMPLETE. THE PRECISE LOCATION OF THE CURRENT PROPERTY BOUNDARIES AND EASEMENTS CAN ONLY BE DETERMINED BY AN UP-TO-DATE LAND TITLES SEARCH AND A SUBSEQUENT CADASTRAL SURVEY PERFORMED AND CERTIFIED BY AN ONTARIO LAND SURVEYOR.
 - THE CONTRACTOR IS TO OBTAIN AND PAY FOR ALL NECESSARY PERMITS AND APPROVALS FROM THE CITY BEFORE COMMENCING CONSTRUCTION.
 - THE CONTRACTOR IS RESPONSIBLE FOR ALL LAYOUT.
 - THE CONTRACTOR IS TO DETERMINE THE EXACT LOCATION, SIZE, MATERIAL AND ELEVATION OF ALL EXISTING UTILITIES PRIOR TO COMMENCING CONSTRUCTION. PROTECT AND ASSUME ALL RESPONSIBILITY FOR EXISTING UTILITIES WHETHER OR NOT SHOWN ON THESE DRAWINGS. IF THERE IS ANY DISCREPANCY THE CONTRACTOR IS TO NOTIFY THE ENGINEER PROMPTLY.
 - RESTORE ALL TRENCHES AND SURFACES OF PUBLIC ROAD ALLOWANCES TO CONDITION EQUAL OR BETTER THAN ORIGINAL CONDITION AND TO THE SATISFACTION OF THE CITY AUTHORITIES.
 - EXCAVATE AND DISPOSE OF ALL EXCESS EXCAVATED MATERIAL, SUCH AS ASPHALT, CURBING AND DEBRIS, OFF SITE AS DIRECTED BY THE ENGINEER AND THE CITY.
 - TOPSOIL TO BE STRIPPED AND STOCKPILED FOR REHABILITATION. CLEAN FILL TO BE PLACED IN FILL AREAS AND COMPACTED TO 95% STANDARD PROCTOR DENSITY.
 - ALL DISTURBED AREAS TO BE RESTORED TO ORIGINAL CONDITION OR BETTER UNLESS OTHERWISE SPECIFIED.
 - THE CONTRACTOR SHALL BE RESPONSIBLE FOR ALL TRAFFIC CONTROL AND SAFETY MEASURES DURING THE CONSTRUCTION PERIOD, INCLUDING THE SUPPLY, INSTALLATION, AND REMOVAL OF ALL NECESSARY SIGNAGE, DELINEATORS, MARKERS AND BARRIERS.
 - DO NOT ALTER GRADING OF THE SITE WITHOUT PRIOR APPROVAL OF THE ENGINEER/CITY.
 - ALL ROADWAY, PARKING LOT, AND GRADING WORKS TO BE UNDERTAKEN IN ACCORDANCE WITH CITY STANDARDS AND SPECIFICATIONS. THE CONTRACTOR IS TO PROVIDE POSITIVE DRAINAGE AWAY FROM THE BUILDING.
 - CONTACT THE CITY FOR INSPECTION OF ROUGH GRADING OF PARKING LOTS, ROADWAYS AND LANDSCAPED AREAS PRIOR TO PLACEMENT OF ASPHALT AND TOPSOIL. ALL DEFICIENCIES NOTED SHALL BE RECTIFIED TO THE CITY'S SATISFACTION PRIOR TO PLACEMENT OF ANY ASPHALT, TOPSOIL, SEED & MULCH AND/OR SOD.
 - ALL DIMENSIONS AND INVERTS MUST BE VERIFIED PRIOR TO CONSTRUCTION, IF THERE IS ANY DISCREPANCY THE CONTRACTOR IS TO NOTIFY THE ENGINEER PROMPTLY.
 - ELECTRICAL SERVICE - HYDRO ONE, GAS SERVICE - ENBRIDGE, TELEPHONE SERVICE - BELL CANADA, TELEVISION SERVICE - ROGERS.
 - INSTALLATION TO BE IN ACCORDANCE WITH CURRENT CODES AND STANDARDS OF APPROVAL AGENCIES HYDRO ONE, BELL AND THE CITY.
 - CONTRACTOR TO ENSURE ALL APPLICABLE OHS SPECIFICATIONS ARE FOLLOWED DURING CONSTRUCTION.
 - ALL PROPOSED CURB TO BE CONCRETE BARRIER CURB UNLESS OTHERWISE SPECIFIED.

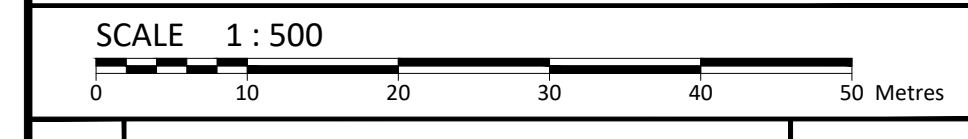


LEGEND

| | |
|-----------------------------------|----------|
| LEGAL BOUNDARY | [Symbol] |
| EXISTING DITCH | [Symbol] |
| PROPOSED ASPHALT | [Symbol] |
| PROPOSED FENCE | [Symbol] |
| BUILDING ENTRANCE | [Symbol] |
| PROPOSED BUILDING OUTLINE | [Symbol] |
| EXISTING BOREHOLE | [Symbol] |
| EXISTING CATCHBASIN | [Symbol] |
| PROPOSED TOP OF CURB GRADE | [Symbol] |
| PROPOSED TOP OF GRADE | [Symbol] |
| LOT CORNER GRADE | [Symbol] |
| PROPOSED STORM MANHOLE CATCHBASIN | [Symbol] |
| PROPOSED STORM CATCHBASIN | [Symbol] |
| EXISTING SANITARY MANHOLE | [Symbol] |
| EXISTING STORM MANHOLE | [Symbol] |
| EXISTING FIRE HYDRANT | [Symbol] |
| PROPOSED OVERLAND FLOW | [Symbol] |
| PROPOSED DEPRESSED CURB | [Symbol] |
| EXISTING OVERLAND FLOW | [Symbol] |

BENCHMARKS:

| No. | DESCRIPTION | ELEVATION |
|-----|----------------|-----------|
| 1 | TOP OF SPINDLE | 96.26m |
| 2 | TOP OF SPINDLE | 96.91m |



| No. | Revision/Issue | Date |
|-----|-------------------|------------|
| 00 | ISSUED FOR REVIEW | 03/02/2022 |

Check and verify all dimensions before proceeding with the work. Do not scale drawings.

McINTOSH PERRY
 115 Walgreen Road, RR3, Carp, ON K0A 1L0
 Tel: 613-836-2184 Fax: 613-836-3742
 www.mcintoshperry.com

Stamp: [Professional Engineer Seal for A.J. Gosling, License No. 22-2933, Province of Ontario]

Client: **BBS CONSTRUCTION LTD.**
 1805 WOODWARD DRIVE, OTTAWA, ONTARIO, K2C 0P9

Project: **4149 STANDHERD DRIVE MYERS NISSAN & SUBARU**

NEPEAN ONTARIO

Drawing Title: **GRADING PLAN**

Scale: 1:500 Project Number: CCO-22-2933

Drawn by: M.M. Drawing Number: C101

Checked by: A.G.

Designed by: M.M.

PREPARED BY: A. J. Gosling, Professional Engineer, License No. 22-2933, Province of Ontario
 DATE: 03/02/2022
 LAST MODIFIED: 03/02/2022
 FILE NAME: 2022_03_02_2022_C101.DWG