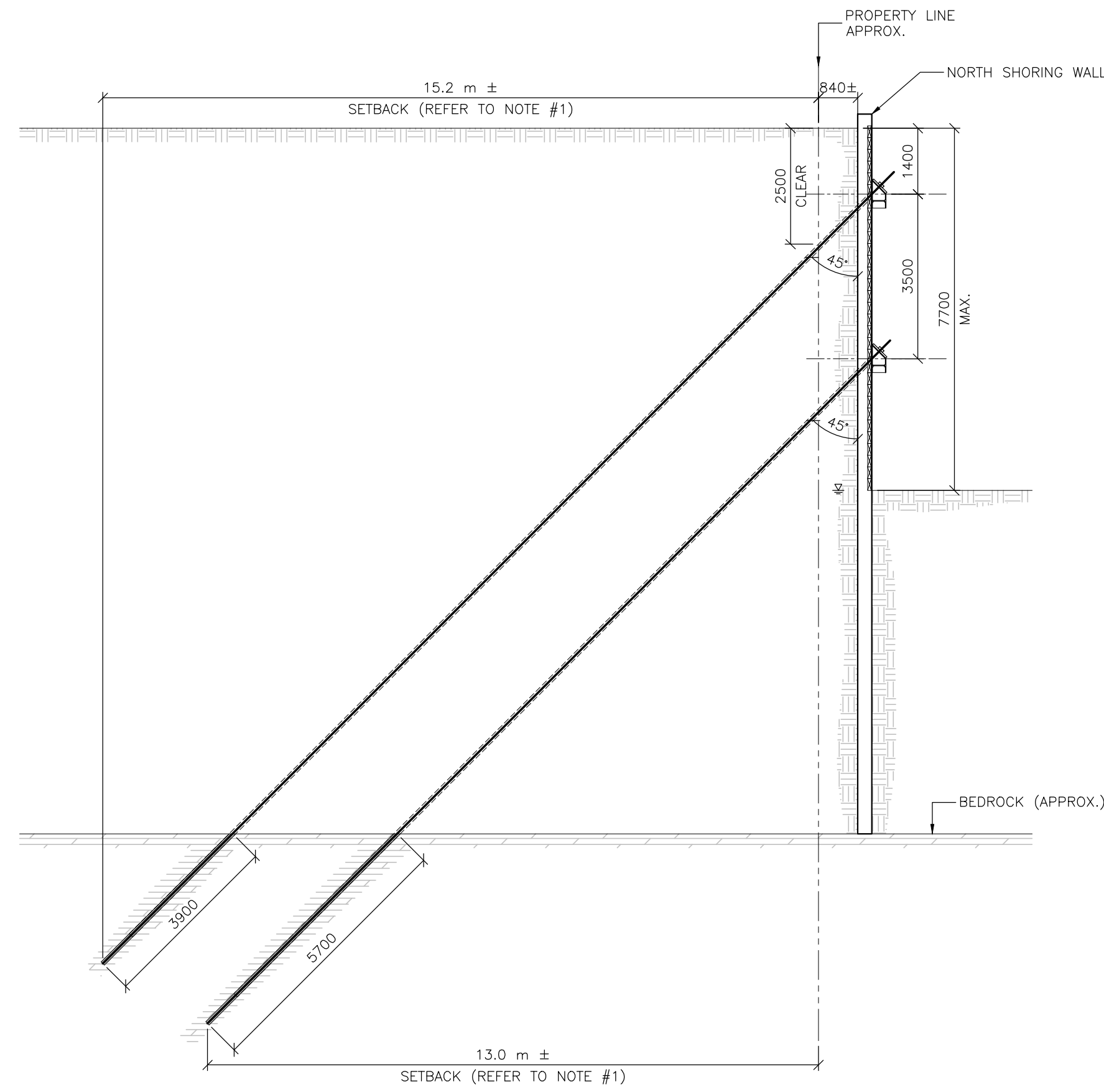


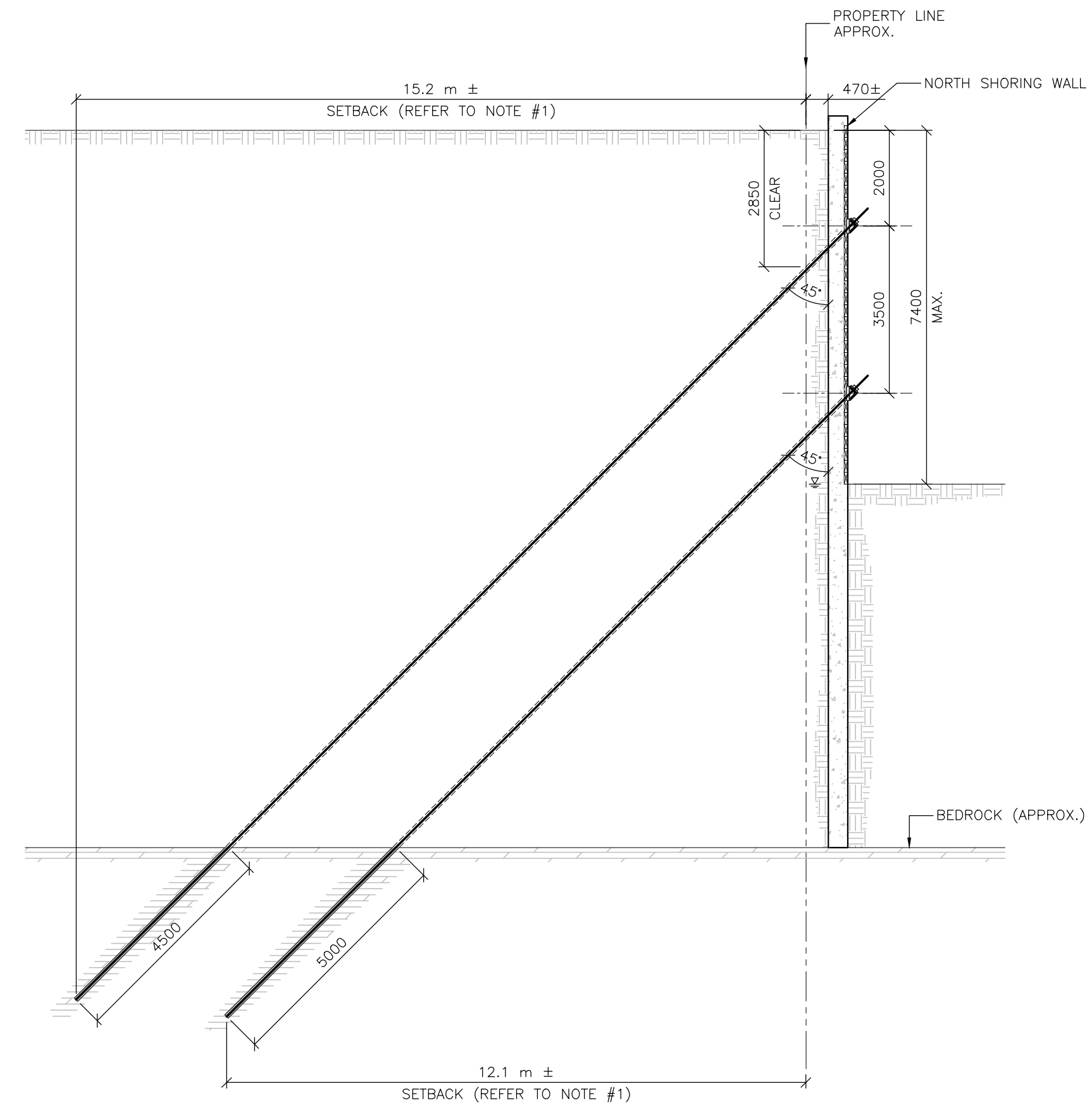
NOTE #1: SETBACK DISTANCES SHOWN BASED ON ASSUMED BEDROCK DEPTH OF 15 m BELOW GRADE. THE GEOTECHNICAL REPORT INDICATES THAT BEDROCK MAY BE DEEPER HOWEVER NO BOREHOLES HAVE EXTENDED SUFFICIENTLY DEEP TO MEASURE ACTUAL BEDROCK ELEVATION.

THEREFORE THESE DIMENSIONS ARE SUBJECT TO CHANGE AND SHALL BE INTERPRETED AS APPROXIMATE.

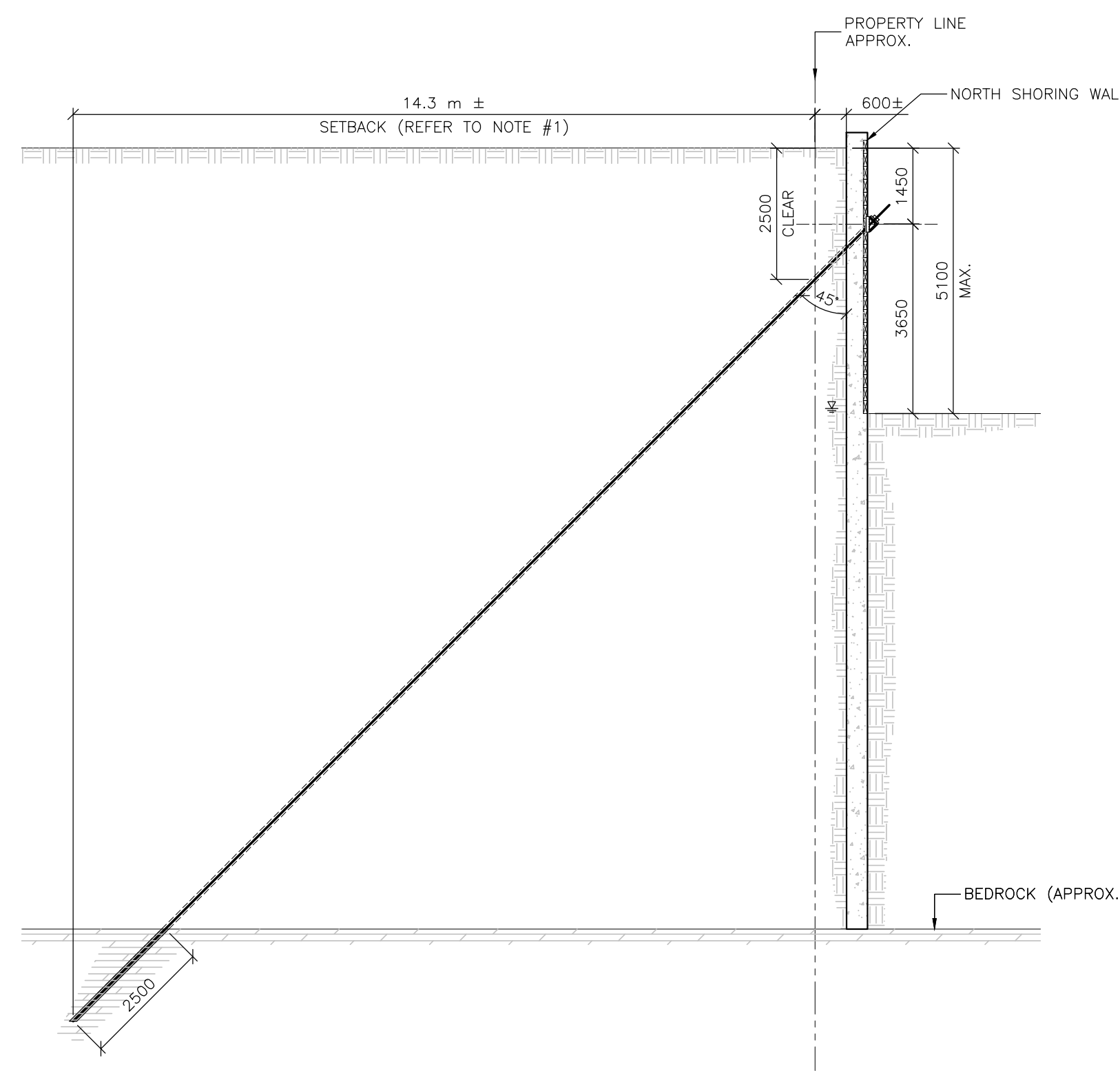
NOTE #2: THIS SKETCH IS INTENDED FOR ILLUSTRATING THE EXTENT OF THE NORTH ELEVATION TIEBACKS AND DOES NOT CONSTITUTE ENGINEERED DRAWINGS. REFER TO THE SHORING DESIGN DRAWINGS SE-1 TO SE-4, PREPARED BY ART ENGINEERING INC., DATED OCTOBER 6, 2021.



3 NORTH SECTION @ TB1
SK-1 1:100



4 NORTH SECTION @ TB3
SK-1 1:100



5 NORTH SECTION @ TB8
SK-1 1:100

client
TCU DEVELOPMENT CORPORATION

project
FOUNTAIN APARTMENT CONDOMINIUMS
244 FOUNTAIN PLACE
OTTAWA, ON



A detail no. / no. de détail
B location drawing no. / sur dessin no.

scale 1:100

revisions	date
0	SKETCH 13-01-2022

drawing
NORTH SHORING SKETCH

stamp
SKETCH FOR ILLUSTRATIVE PURPOSES ONLY

designed	drawn	reviewed	approved
----	T.B.	----	----
date	project number	drawing number	
January 13, 2022	4831	SK-1	