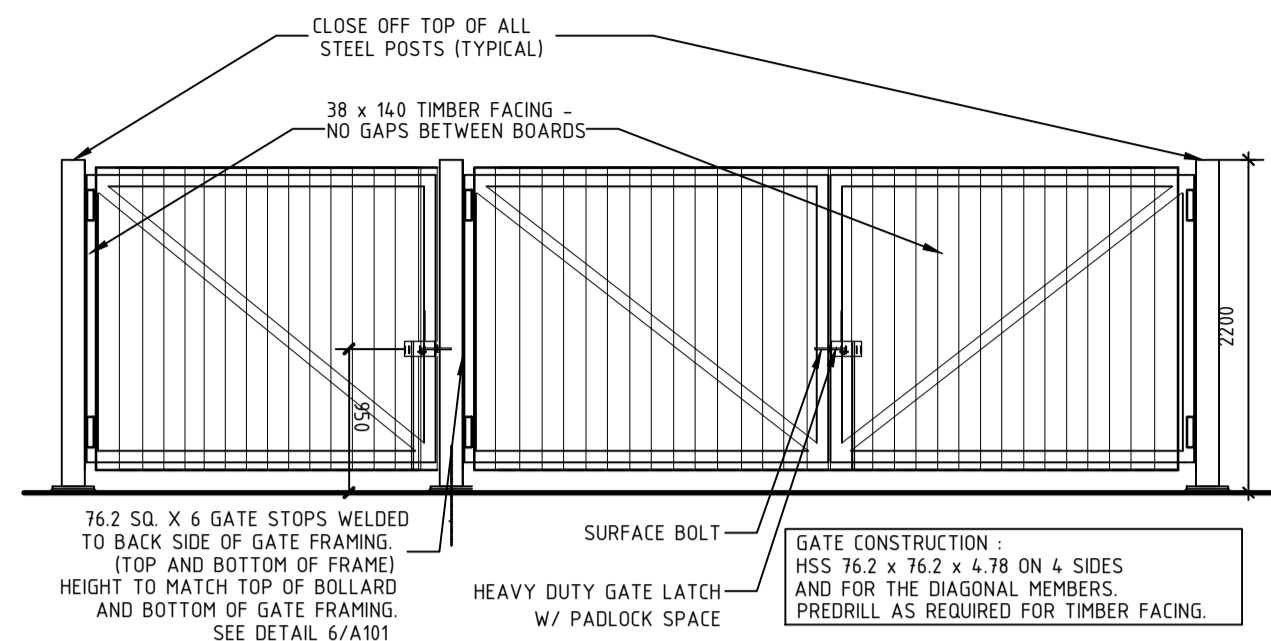
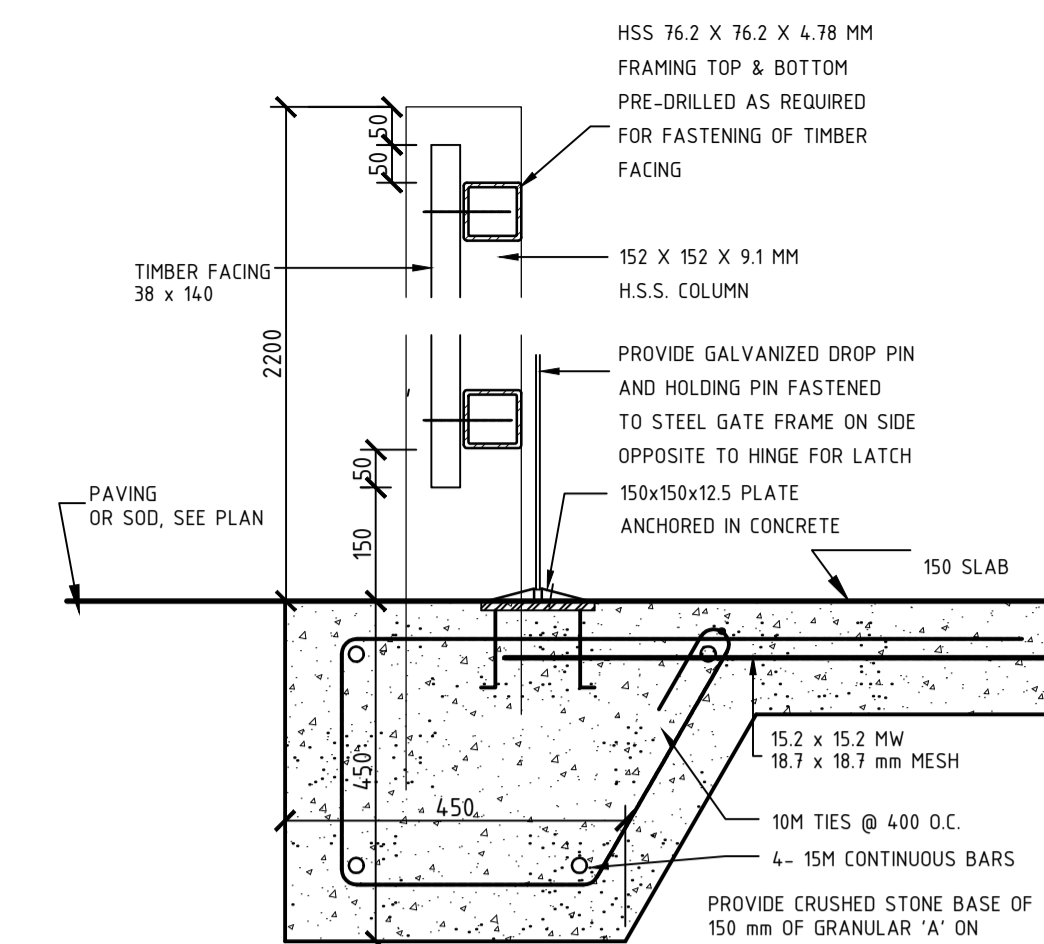


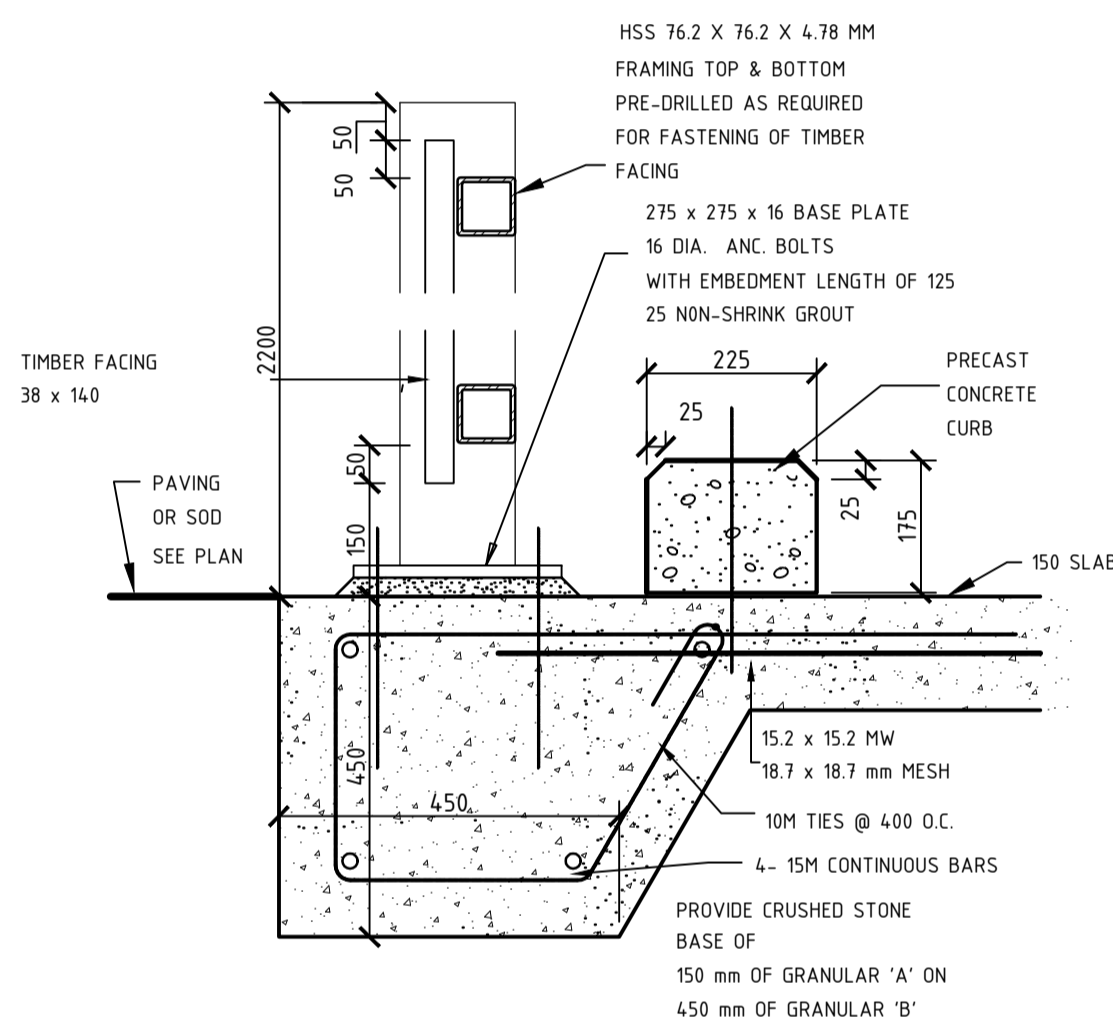
1 GARBAGE ENCLOSURE PLAN
SCALE 1:50



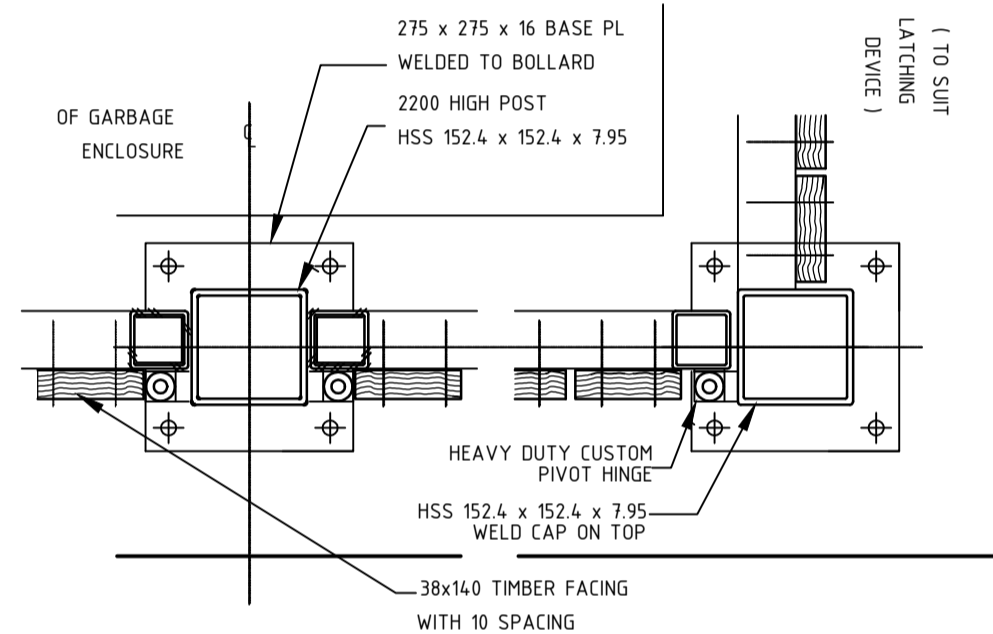
2 GARBAGE ENCLOSURE ELEVATION
SCALE 1:50



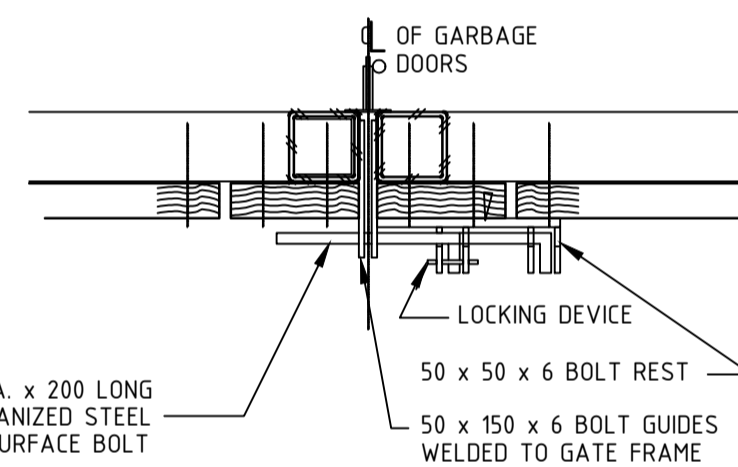
3 GARBAGE ENCLOSURE SECTION DETAIL
SCALE 1:10



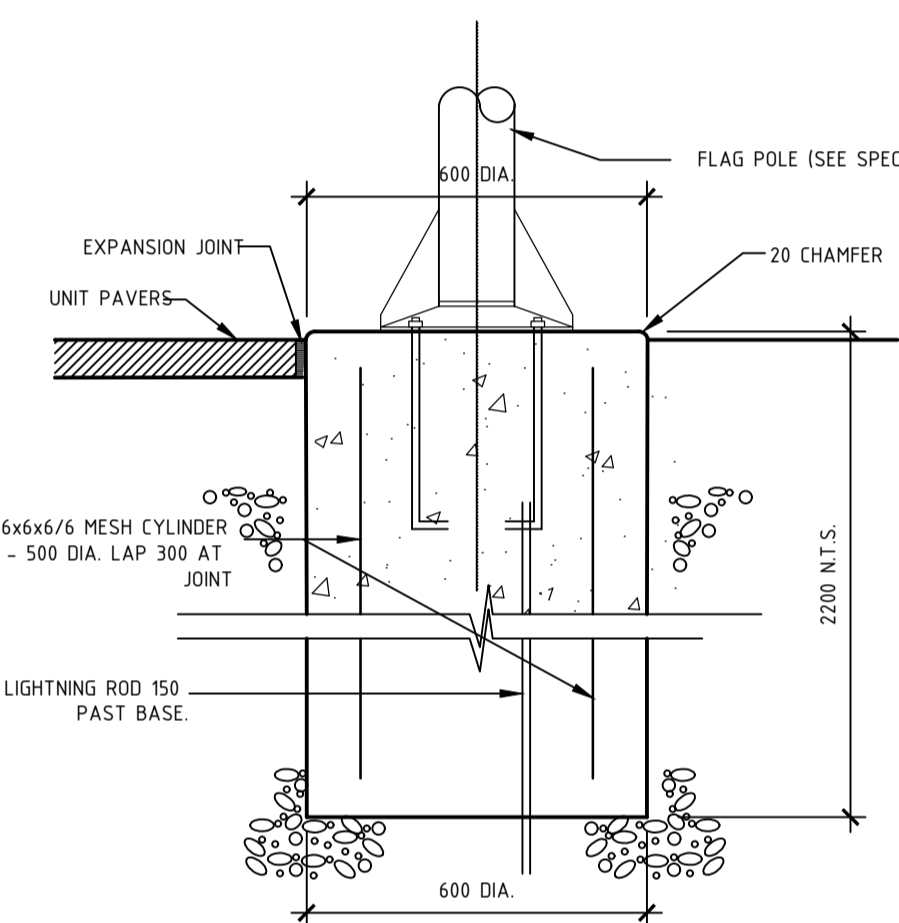
4 GARBAGE ENCLOSURE SECTION DETAIL
SCALE 1:10



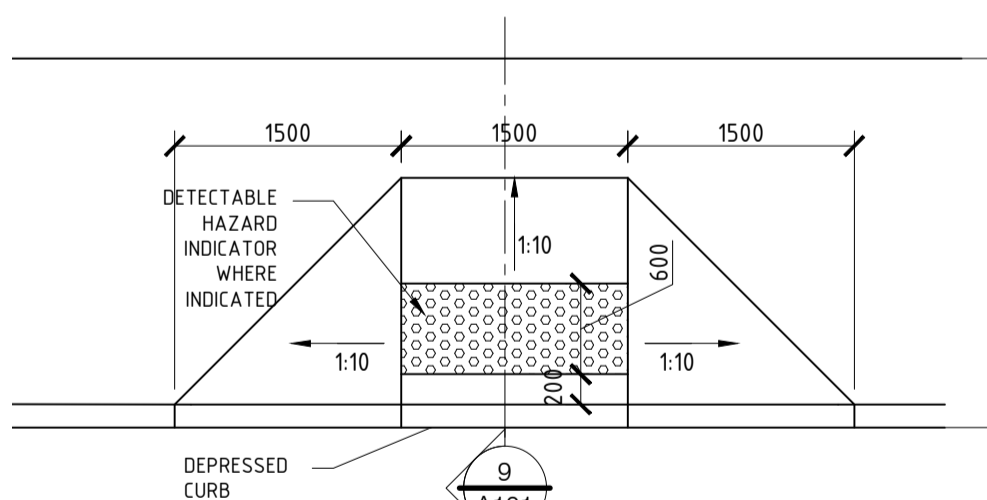
5 GARBAGE ENCLOSURE PLAN DETAIL
SCALE 1:10



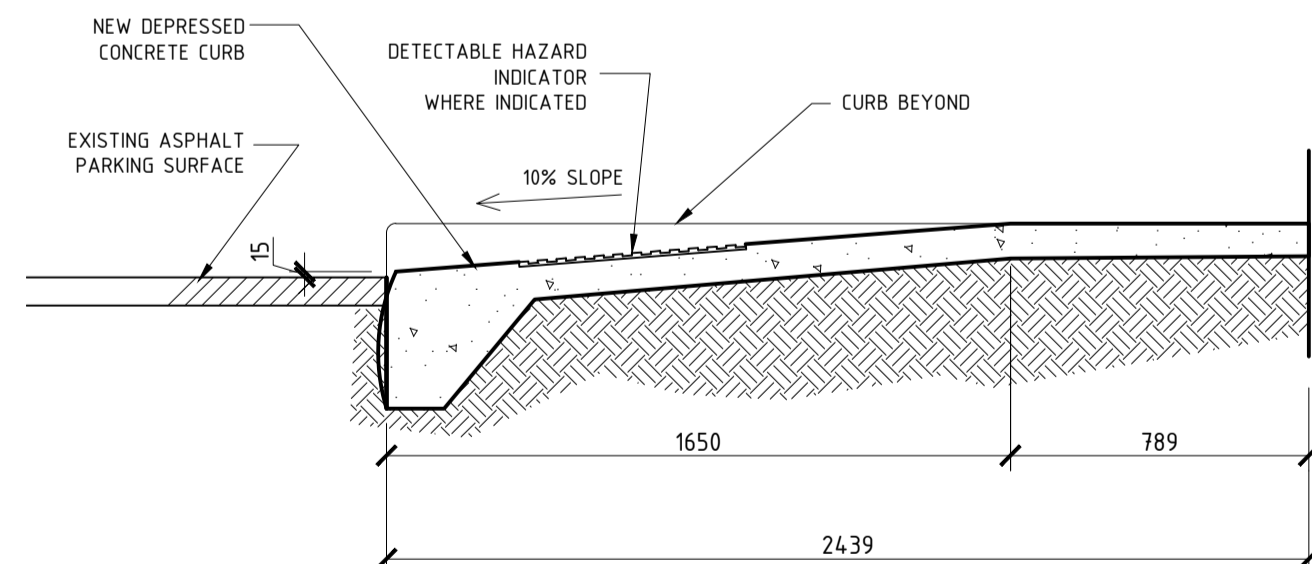
6 GARBAGE ENCLOSURE LATCH SECTION
SCALE 1:10



7 FLAGPOLE BASE SECTION
SCALE 1:20



8 DEPRESSED CURB PLAN DETAIL
SCALE 1:50



9 DEPRESSED CURB SECTION DETAIL
SCALE 1:10

REV	REVISION DESCRIPTION	DATE
1	ISSUED FOR SITE PLAN APPLICATION	OCT/2021

THIS DRAWING IS THE EXCLUSIVE PROPERTY OF PYE & RICHARDS - TEMPRANO & YOUNG ARCHITECTS INC. COPYRIGHT RESERVED.

CONTRACTOR TO VERIFY ALL DIMENSIONS AND NOTIFY THE ARCHITECT OF ANY DIMENSIONAL ERRORS AND/OR POSSIBLE TRADE INTERFERENCE/CONFLICT FOR CLARIFICATION PRIOR TO COMMENCEMENT OF THE WORK. DO NOT SCALE DRAWINGS.

SEAL PROJECT NORTH

Not for construction unless SEALED and SIGNED

P R PYE & RICHARDS -
T Y TEMPRANO & YOUNG
ARCHITECTS INC.

824 Meath St. Suite 200 613. 724. 7700
Ottawa, ON K1Z 6E8 info@prty.ca

PROJECT
OCSB BARRHAVEN ELEMENTARY SCHOOL

60 DEFENSE ST. OTTAWA, ONTARIO

DRAWING
SITE PLAN DETAILS

PROJECT NO.	21007	DRAWING NO.	A101
SCALE -	AS NOTED		
DRAWN -			
CHECKED -	I.R.		
DATE -	23/11/2021	PLOTTED BY:	IR