

1 LIGHTING SITE PLAN
E002 1:300

DRAWINGS NOTES

① TYPICAL: PROVIDE NEW LIGHT FIXTURE, TYPE AS INDICATED. REFER TO LIGHTING FIXTURE SCHEDULE ON THIS DRAWING FOR ADDITIONAL INFORMATION. REFER TO DETAIL 2 ON THIS DRAWING FOR CONCRETE POLE BASES DETAIL. REFER TO DETAIL 3 ON THIS DRAWING FOR DIRECT BURIED CONDUIT DETAIL. PROVIDE PHOTOCELL AND TIMECLOCK C/W CONTACTORS AS REQUIRED TO CONTROL ALL OUTDOOR LIGHTING.

GENERAL NOTES

- COORDINATE EXACT LOCATION OF LIGHT FIXTURES WITH ARCHITECT AND INTERIOR DESIGNER.
- COORDINATE ROUTING OF DUCTBANK AND DIRECT BURIED CONDUITS WITH ALL OTHER UNDERGROUND SERVICES.

LIGHTING LEGEND

SYMBOL	DESCRIPTION
ⓐ	EXTERIOR LED AREA LUMINAIRE, TYPE AS INDICATED
ⓑ	EXTERIOR LED WALL PACK, TYPE AS INDICATED

DATE	REVISION	REF
2021-07-28	ISSUED FOR SITE PLAN APPROVAL	0

THE ENGINEER WAIVES ANY AND ALL RESPONSIBILITY AND LIABILITY FOR PROBLEMS WHICH ARISE FROM FAILURE TO FOLLOW THESE PLANS, SPECIFICATIONS AND THE DESIGN INTENT THEY CONVEY, OR FOR PROBLEMS WHICH ARISE FROM OTHER FAILURE TO OBTAIN AND / OR FOLLOW THE ENGINEER'S GUIDANCE WITH RESPECT TO ANY ERRORS, OMISSIONS, INCONSISTENCIES, AMBIGUITIES OR CONFLICTS WHICH ARE ALLEGED.

THIS DRAWING IS THE PROPERTY OF GOODKEY WEEDMARK & ASSOCIATES LIMITED AND ALL COPYRIGHTS ARE RESERVED. NO USE OF THIS DRAWING MAY BE MADE WITHOUT EXPRESS WRITTEN CONSENT.

DO NOT SCALE DRAWINGS

L'INGÉNIEUR DÉCLINE TOUTE RESPONSABILITÉ DÉCOULANT DE PROBLÈMES FAISANT SUITE AU NON RESPECT DES PLANS, DES SPÉCIFICATIONS ET DE L'INTENTION DU CONCEPTE QUI S'Y RATTACHENT OU DE TOUS LES PROBLÈMES POUVANT RÉSULTER DU DÉFAUT D'OBTENIR ET / OU DE SUIVRE LES CONSEILS DE L'INGÉNIEUR EN CE QUI CONCERNE LES ERREURS, OMISSIONS, INCONSISTANCES, AMBIGUITÉS OU CONFLITS ALLÉGUÉS.

CE Dessin est la propriété littéraire & associée de GOODKEY WEEDMARK & ASSOCIATES LIMITED ET TOUS LES DROITS SONT RÉSERVÉS. L'UTILISATION EST INTERDITE SANS LE CONSENTEMENT ÉCRIT DE L'AUTEUR.

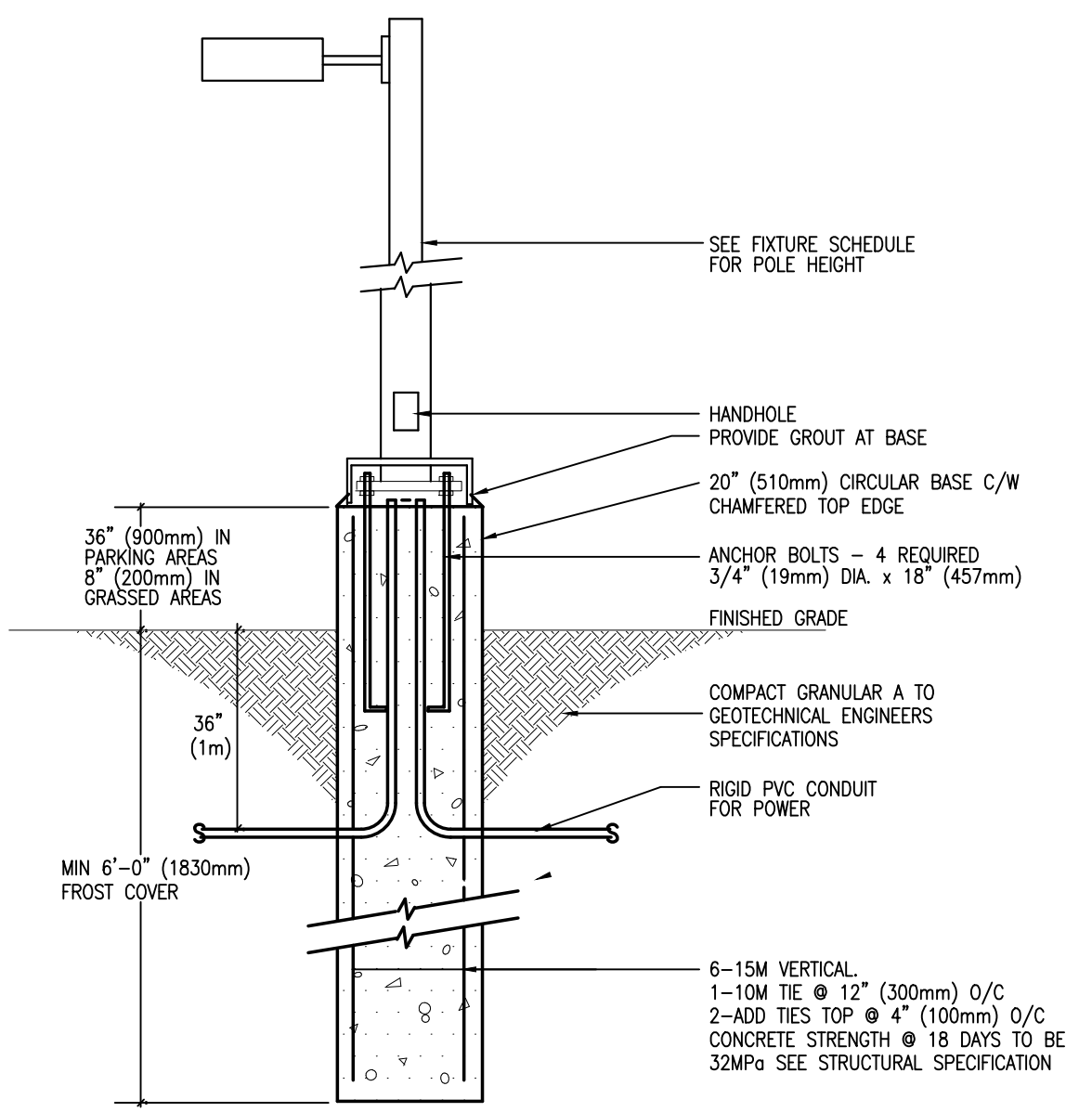
NE PAS MESURER LES DESSINS À L'ÉCHELLE

Goodkey Weedmark Consulting Engineers

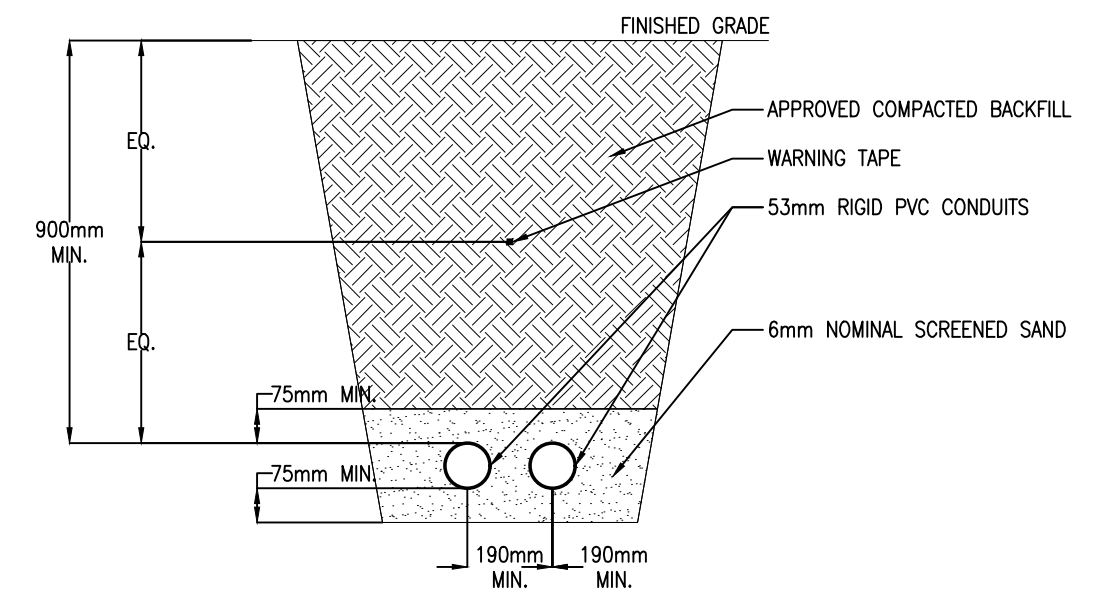
GOODKEY WEEDMARK & ASSOCIATES LIMITED
1688 Woodward Dr. Ottawa Ontario Canada K2C 3R8
613 727-5111 Voice
613 727-5115 Fax
www.gweal.com Web

Project north / Nord du projet

Seal/Scieu



2 BASE DETAIL FOR EXTERIOR LIGHT STANDARD
E002 N.T.S.



3 DIRECT BURIED CONDUIT DETAIL
E002 N.T.S.

TYPE	DESCRIPTION	CATALOG NUMBER	LAMPS PER FIXTURE				VOLT	MOUNTING	REMARKS
			QTY	TYPE	WATTS	COLOUR			
A	EXTERIOR LED WALLPACK	LITHONIA LIGHTING WDGE3-LED-P1-70CRI-R2-40K	1	LED	51.7W	4000K	347V	SURFACE MOUNTED	PROVIDE HOUSE SIDE SHIELD AS REQUIRED MOUNTING HEIGHT : 14'
B	EXTERIOR LED WALLPACK	LITHONIA LIGHTING WDGE1-LED-P1-80CRI-40K-WV	1	LED	10W	4000K	347V	SURFACE MOUNTED	PROVIDE HOUSE SIDE SHIELD AS REQUIRED MOUNTING HEIGHT : 14'
C	EXTERIOR LED WALLPACK	LITHONIA LIGHTING WDGE3-LED-P2-70CRI-RFT-40K	1	LED	60W	4000K	347V	SURFACE MOUNTED	PROVIDE HOUSE SIDE SHIELD AS REQUIRED MOUNTING HEIGHT : 14'
F	EXTERIOR LED WALLPACK	LITHONIA LIGHTING DSX0-LED-P1-40K-BLC-1VOLT	1	LED	38W	4000K	347V	POLE MOUNTED	PROVIDE HOUSE SIDE SHIELD AS REQUIRED MOUNTING HEIGHT : 15'
G	EXTERIOR LED AREA LUMINAIRE	LITHONIA LIGHTING WDGE4-LED-P6-70CRI-RFT-40K	1	LED	185W	4000K	347V	SURFACE MOUNTED	FIXTURE MOUNTED AT 20'

Project/Projet

GRANITE CURLING CLUB
2740 QUEENSVIEW DRIVE
OTTAWA, ONTARIO

Drawing title/Titre du dessin
ELECTRICAL SITE PLAN

Scale / Échelle: AS NOTED / 2021-280
Project no./No. du projet: 2021-280

Design by / Conçu par: N. OUDERKIRK
Drawing/Dessin: E002

Drawn by / Dessiné par: N. OUDERKIRK
Examined by / Vérifié par: R. BOVIN

Date: JULY 2021
Revision no.:
Acad file/Fichier: