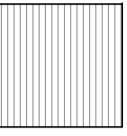
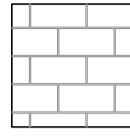
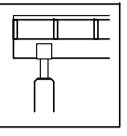
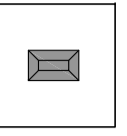
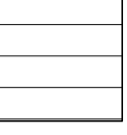
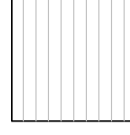
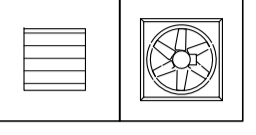


LEGEND

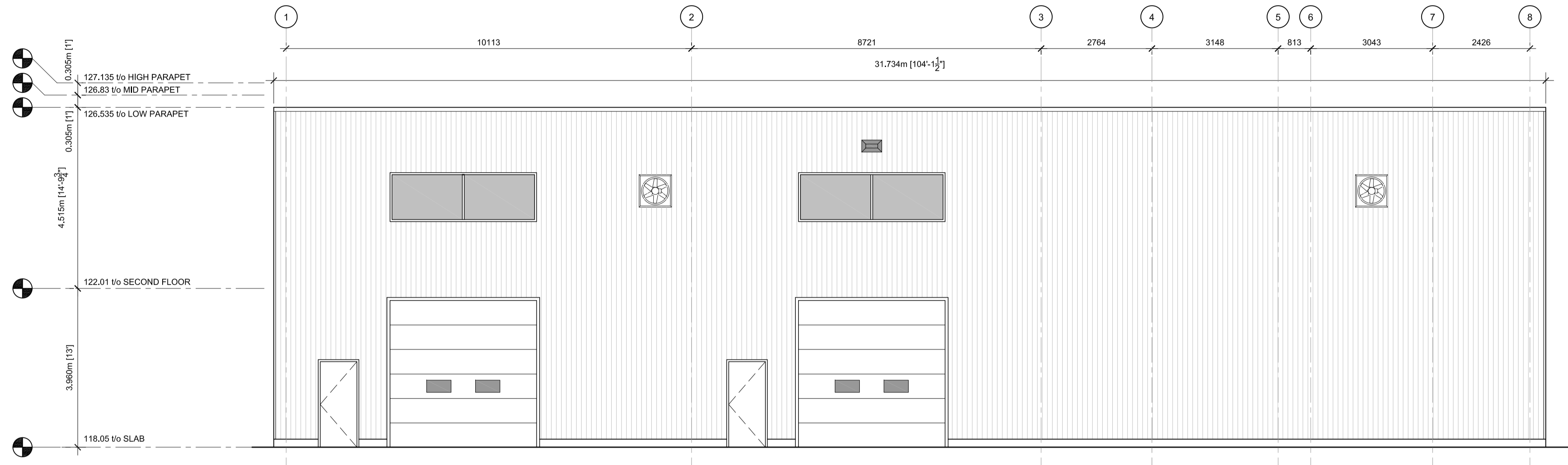
	VERTICAL CORRUGATED METAL SIDING TYPE 1, CHARCOAL GREY WITH BLACK TRIMS		MASONRY CLADDING.		WOOD CANOPY		WALL PACK LIGHTING. REFER TO ELECTRICAL.
	HORIZONTAL METAL SIDING TYPE 2, BLACK		VERTICAL INSULATED METAL PANEL SIDING TYPE 3, GREY		LOCATION OF MECH FAN & MECH. INTAKE LOUVERS. REFER TO MECHANICAL.		

CLIENT

CLS ROOFING INC.

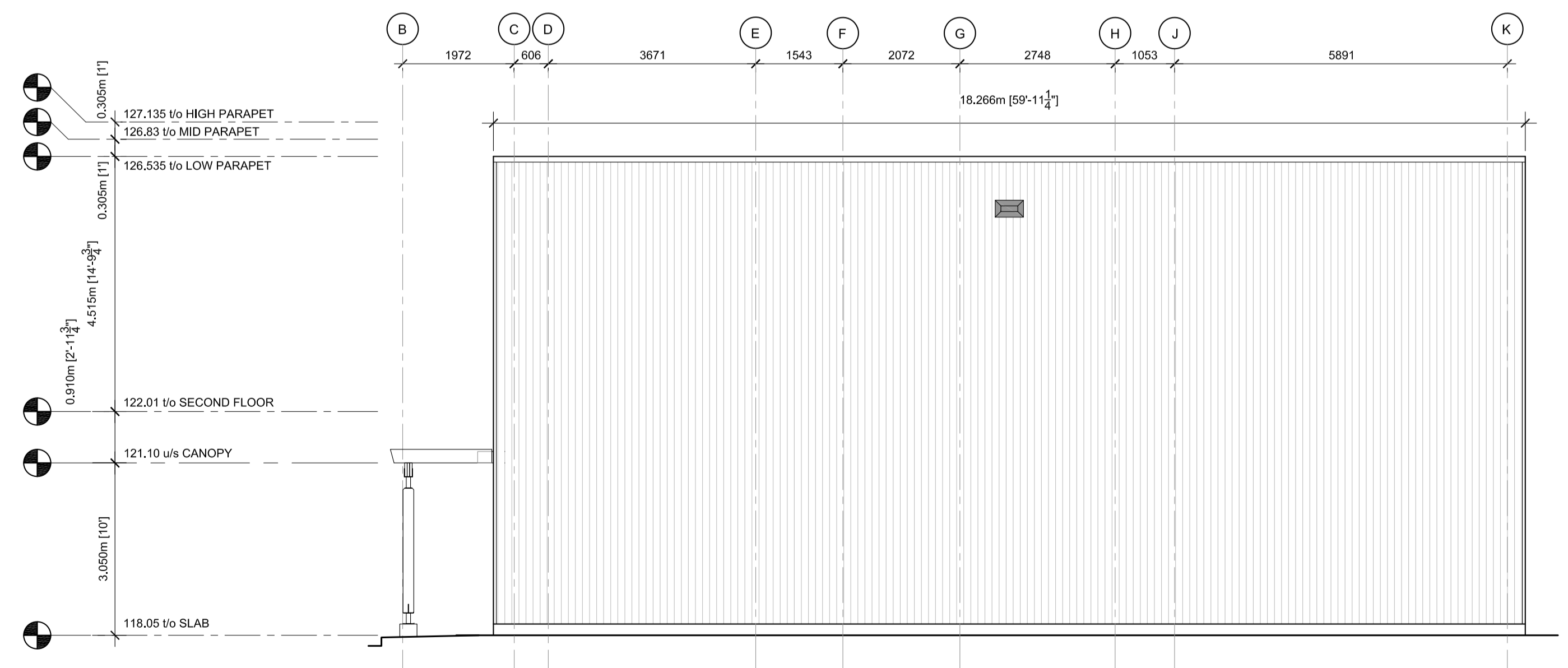
ISSUE	DESCRIPTION	DATE
08	FOR SITE PLAN CONTROL REVIEW/RESPONSE	27/07/2021
07	FOR REVISED PERMIT	20/07/2021
06	FOR SITE PLAN CONTROL REVIEW/RESPONSE	01/06/2021
05	FOR PERMIT	04/26/2021
04	FOR COORDINATION	03/04/2021
03	FOR SITE PLAN CONTROL	26/02/2021
02	FOR COORDINATION	01/31/2021
01	FOR INFORMATION	01/11/2021

1 WEST ELEVATION:
A301 SCALE: 1: 75



PROFESSIONAL STAMP PROJECT NORTH

2 NORTH ELEVATION:
A301 SCALE: 1: 75



PROJECT
2167 MCGEE SIDE RD,
INDUSTRIAL BUILDING

DRAWING
BUILDING
ELEVATIONS

PROJECT No:	025	REVISION:	00
DRAWN:	SL	DATE:	JANUARY 2021
APPROVED:		SCALE:	AS SHOWN

DRAWING No: **A301**