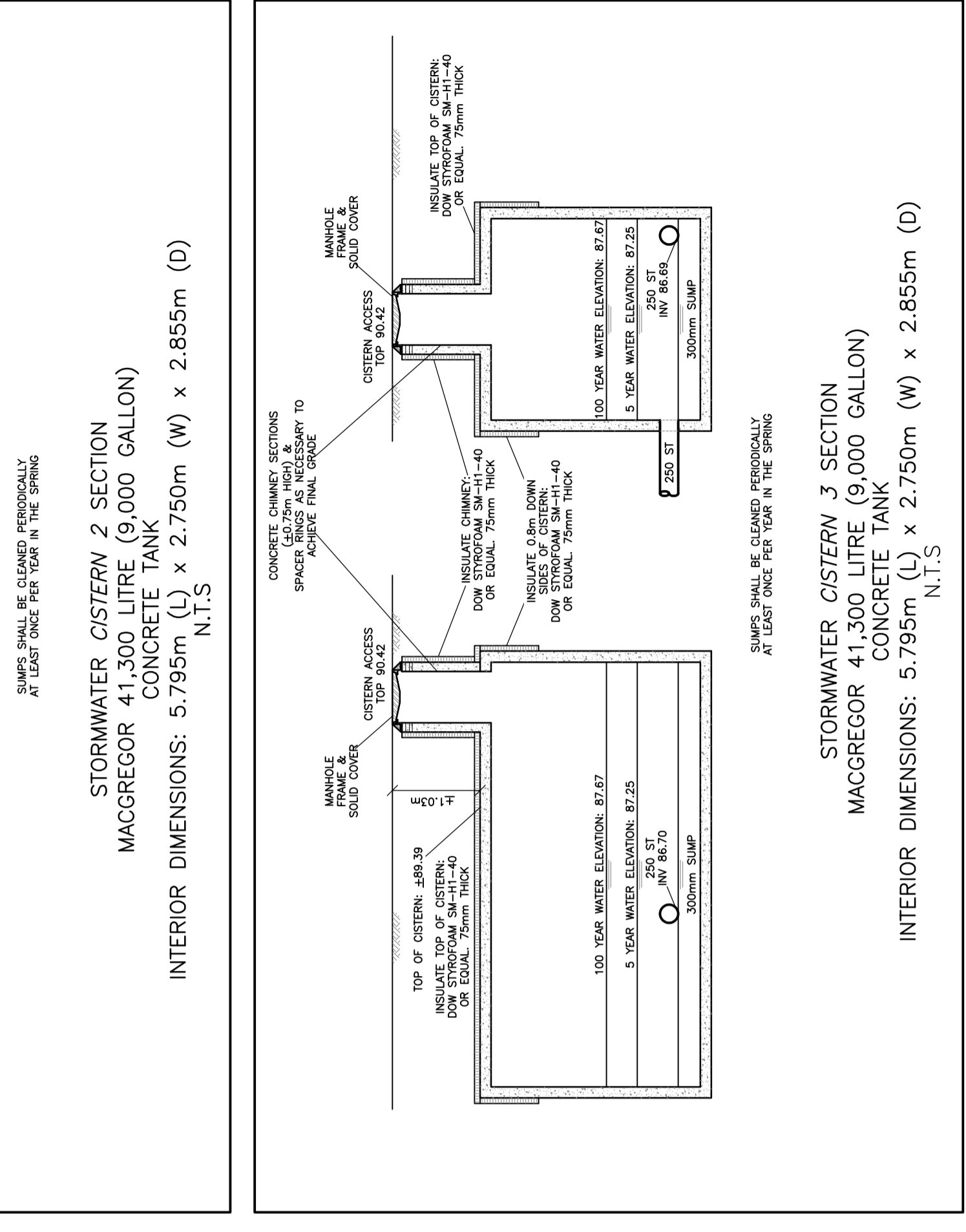
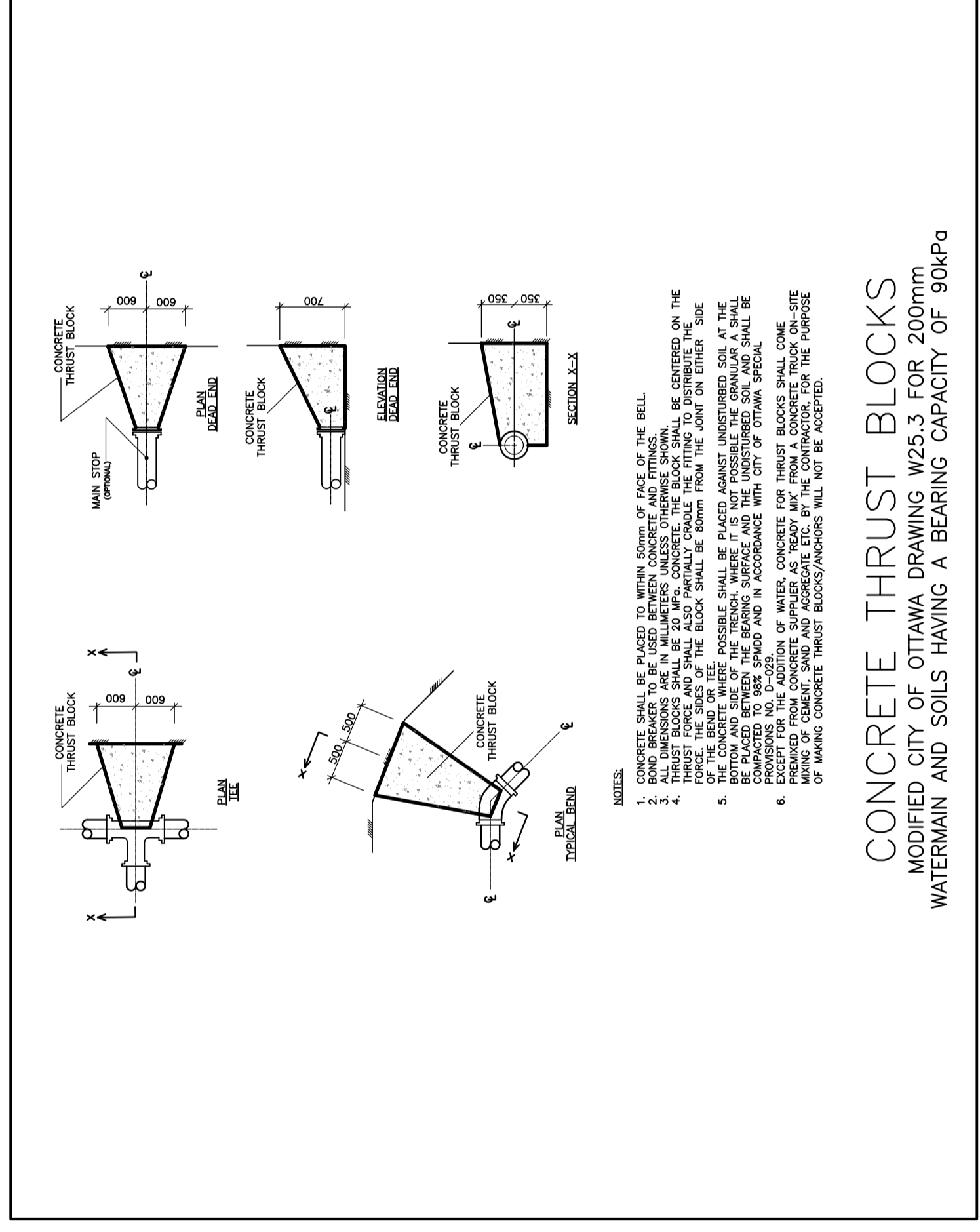
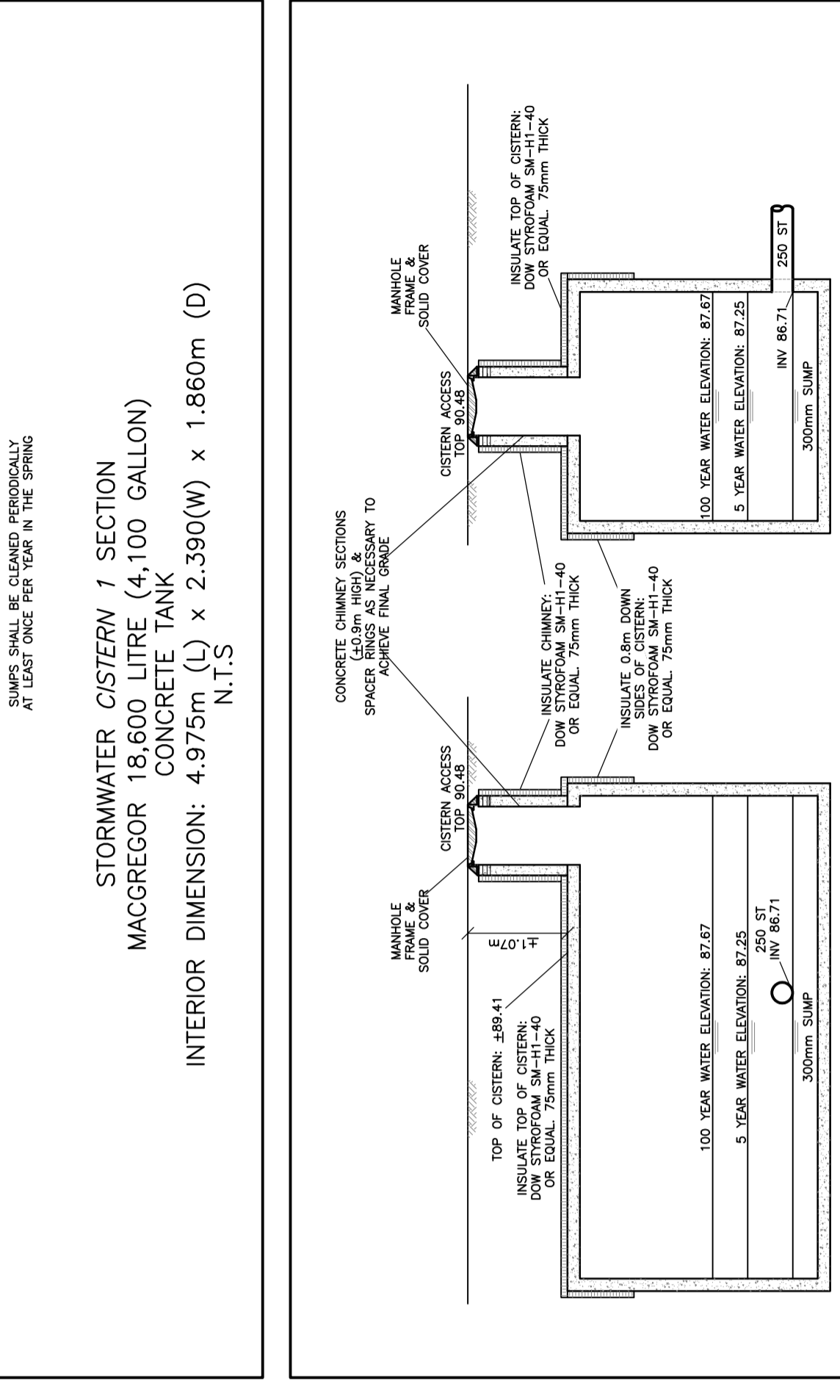
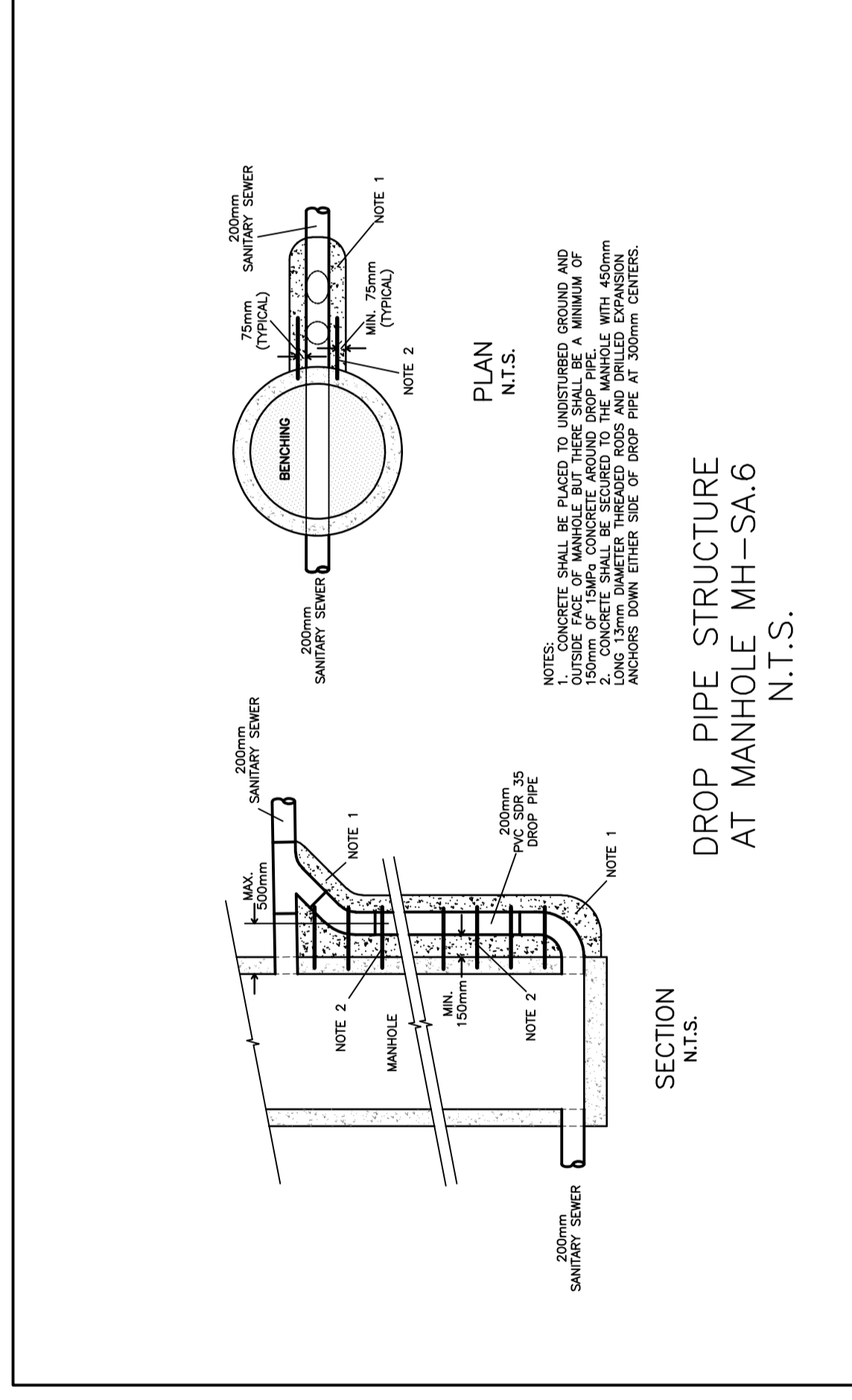
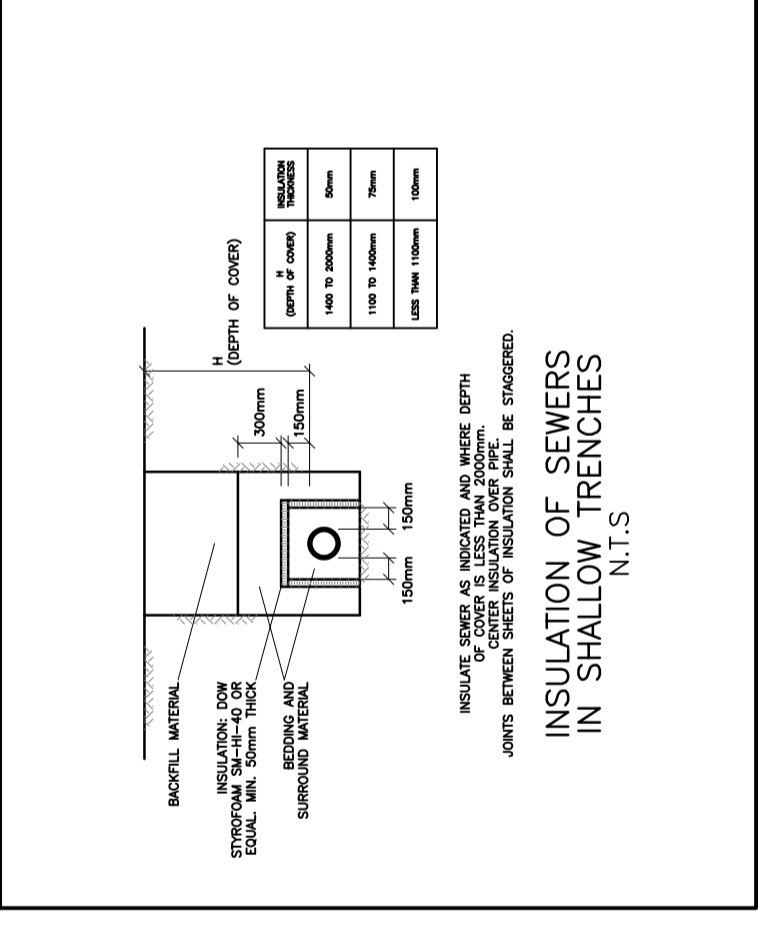
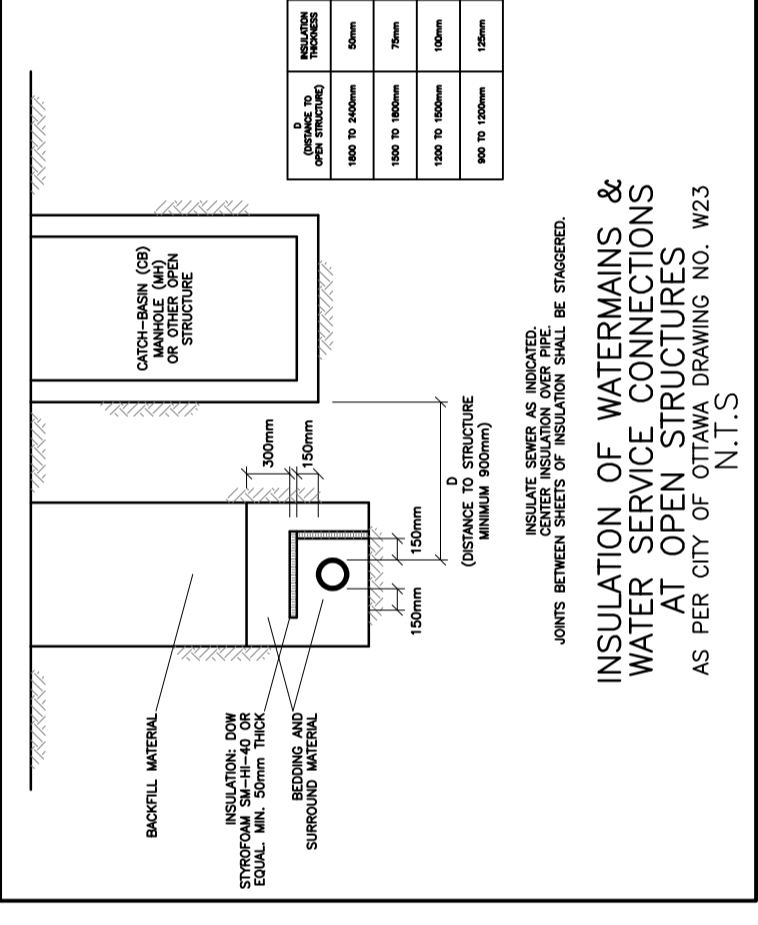
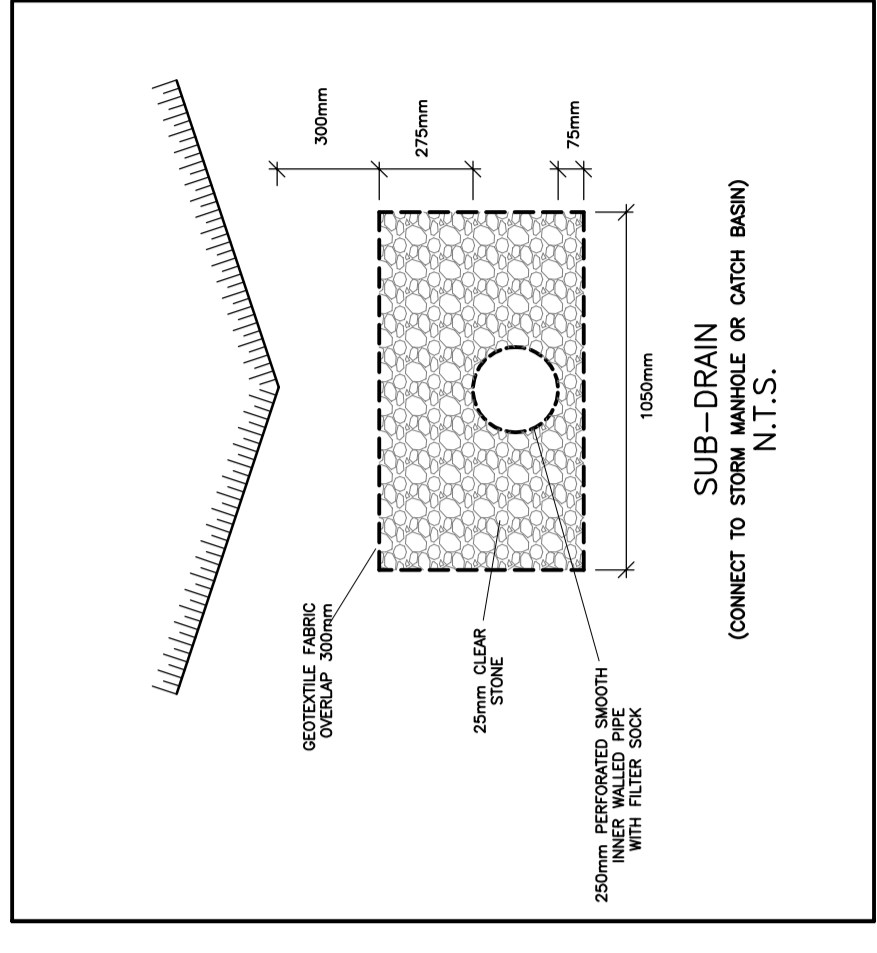
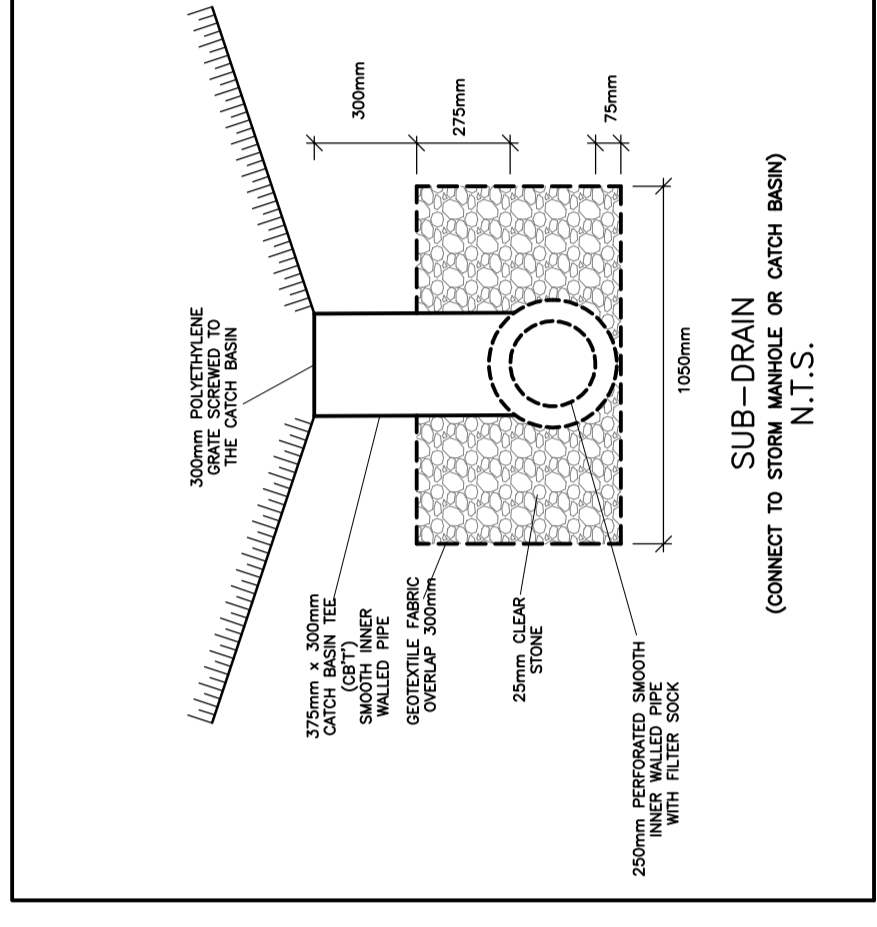
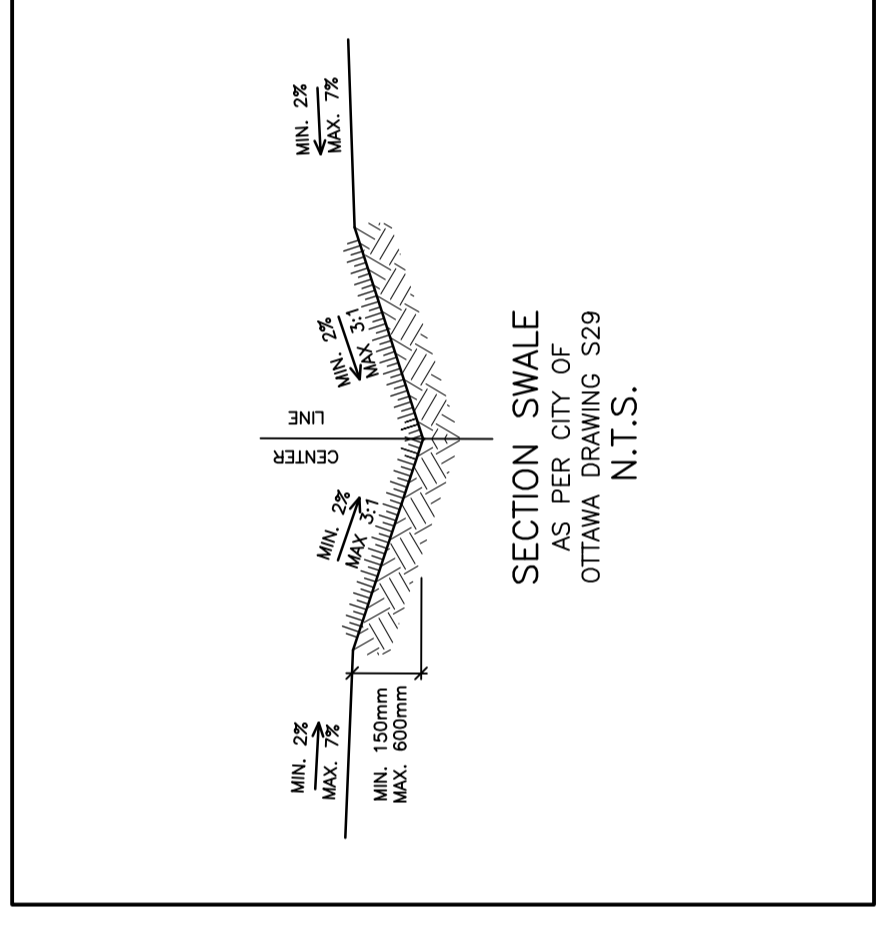


OWNER:  
 NIVO DEVELOPMENTS INC.  
 255 MICHAEL COMPLAND DRIVE  
 OTTAWA, ONTARIO, K2M 0M5  
 613-224-6200



8	MAY 20-21	RE-ISSUED FOR APPROVAL
7	MAR 15-21	RE-ISSUED FOR APPROVAL
6	NOV 16-20	RE-ISSUED FOR APPROVAL
5	JUN 18-20	RE-ISSUED FOR APPROVAL
4	MAY 5-20	ISSUED FOR COORDINATION
3	SEP 27-19	RE-ISSUED FOR APPROVAL
2	AUG 9-19	ISSUED FOR APPROVAL
1	JUN 14-19	PRELIMINARY
No.	DATE	REVISION

**D. B. GRAY ENGINEERING INC.**  
 700 Long Point Circle  
 Ottawa, Ontario  
 4gray@dbgrayengineering.com  
 613-425-8044

**PROPOSED  
 RESIDENTIAL DEVELOPMENT  
 1164-1166 HIGHCROFT DR.  
 MANOTICK, ONTARIO**

**DETAILS**

Engineer's Seal: D.B. GRAY, P. ENG. 77016509, License No. 180335, Date JUN 14-19

Drawn: D.B.G., Hor. Scale 1:200, Vert. Scale 1:200, Date JUN 14-19, Job No. 180335, Drawing No. C-8 of 14

NOT VALID UNLESS SIGNED & DATED