

LUMINAIRE LOCATION SUMMARY		
LUM NO.	LABEL	MTG. HT.
1	A3-2	18
2	A3-2	18
3	A3B	18
4	A3B	18
5	A3B	18
6	A4	18
7	A4B	18
8	A4B	18
9	A4B	18
10	A4B	18
11	CAN	17.5
12	CAN	17.5
13	CAN	17.5
14	CAN	17.5
15	CAN	17.5
16	CAN	17.5
17	CAN	17.5
18	CAN	17.5
19	CAN	17.5
20	CAN	17.5
21	CAN	17.5
22	CAN	17.5
23	CAN	17.5
24	CAN	17.5
25	CAN	17.5
26	CAN	17.5
27	CAN	17.5
28	CAN	17.5
29	CAN	17.5
30	CAN	17.5
31	CAN	17.5
32	CAN	17.5
33	CAN	17.5
34	CAN	17.5
35	L	12
36	L	12
37	L	12
38	L	12
39	L	12
40	L	12
41	L	12
42	L	12
43	L	12
44	WP	14.5
45	WP	14.5
46	WP	14.5
47	WP	14.5
48	WP	14.5
49	WP	14.5
50	WP	14.5
51	WP	14.5
52	WP	14.5
53	WP	14.5
54	WP	14.5
55	WP	14.5

NOTE:
 - ALL AREA LIGHTS ON NEW 15 FT. POLE MOUNTED ON 3 FT. CONCRETE BASE
 - ALL AREA LIGHT LOCATIONS PROVIDED BY OTHERS

FOOTCANDLE LEVELS CALCULATED AT GRADE USING INITIAL LUMEN VALUES					
LABEL	AVG	MAX	MIN	AVG/MIN	MAX/MIN
PAVED AREA	7.24	36.0	0.8	9.05	45.00
UNDEFINED	0.93	17.4	0.0	N.A.	N.A.
UNDER CANOPY	67.19	81	48	1.40	1.69

LUMINAIRE SCHEDULE										
SYMBOL	QTY	LABEL	ARRANGEMENT	LUMENS	LLF	BUG RATING	WATTS/LUMINAIRE	TOTAL WATTS	MANUFACTURER	CATALOG LOGIC
[Symbol]	2	A3-2	BACK-BACK	16100	1.040	B3-U0-G3	104	416	Cree Lighting	OSQ-ML-B-XX-XX + OSQM-B-16L-57K7-3M-UL-NM-XX
[Symbol]	3	A3B	SINGLE	12699	1.040	B2-U0-G2	104	312	Cree Inc	OSQ-ML-B-XX-XX + OSQM-B-16L-57K7-3M-UL-NM-XX + OSQ-BLSMF
[Symbol]	1	A4	SINGLE	16098	1.040	B3-U0-G3	104	104	Cree Inc	OSQ-ML-B-XX-XX + OSQM-B-16L-57K7-4M-UL-NM-XX
[Symbol]	4	A4B	SINGLE	12349	1.040	B2-U0-G2	104	416	Cree Inc	OSQ-ML-B-XX-XX + OSQM-B-16L-57K7-4M-UL-NM-XX + OSQ-BLSMF
[Symbol]	24	CAN	SINGLE	20332	1.040	B4-U0-G1	145.15	3483.6	Cree Inc	CPY250-B-DM-F-E-UL-XX-57K
[Symbol]	9	L	SINGLE	1800	1.040	B1-U0-G0	20.5	184.5	Cree Lighting	LR6X-18L-40K-120V
[Symbol]	12	WP	SINGLE	8543	1.040	B2-U0-G2	70.56	846.72	Cree Inc	XSPW-B-WM-3ME-8L-40K-UL-XX

REV.	BY	DATE	DESCRIPTION
R1	FNE	4/16/21	REVISED AREA LIGHT LOCATIONS TO GET BETTER LIGHTING AT ENTRANCES & REDUCE AMOUNT OF POLES

DISCLAIMER
 ANY SITE PLAN(S), FLOOR PLAN(S), RENDERING(S), LIGHTING LAYOUT(S) AND PHOTOMETRIC PLAN(S) INCLUDING BUT NOT LIMITED TO ANY PROJECT(S) CREATED/PRODUCED BY RED LEONARD ASSOCIATES INC., ARE ONLY INTENDED FOR ILLUSTRATION AND QUOTING PURPOSES ONLY. RED LEONARD ASSOCIATES HAS THE RIGHT TO USE THIRD PARTY LASERS, SCANNERS, AND CAMERAS BUT ACTUAL PROJECT CONDITIONS, DIMENSIONS, AND ACCURACY OF MEASUREMENTS MAY DIFFER FROM THESE OR ANY PARAMETERS. RED LEONARD ASSOCIATES INC. ASSUMES NO LIABILITY FOR WHAT IS CREATED/PRODUCED IN THESE RENDERINGS. THIS INCLUDES BUT IS NOT LIMITED TO THE USE OF, INSTALLATION OF AND/OR INTEGRITY OF EXISTING BUILDINGS, SURROUNDING AREA FOR PRODUCTS (SUCH AS EXISTING POLES), ANCHOR BOLTS(S), BASE(S), ARCHITECTURAL AND SIGNAGE STRUCTURE(S), LANDSCAPING PLAN(S), LIGHTING PLAN(S), FIXTURE SELECTION(S) AND PLACEMENT, MATERIAL(S), COLOR ACCURACY, TEXTURE(S), AND ANYTHING ATTRIBUTED TO PHOTO REALISM THAT IS CREATED. FURTHERMORE, RED LEONARD ASSOCIATES INC., DOES NOT ASSUME LIABILITY WHATSOEVER FOR ANY PURCHASES MADE BY CLIENT BEFORE, DURING, OR AT THE CONCLUSION OF THE PUBLISHED WORK. THE CUSTOMER, ITS RELATIVE AFFILIATES, AS WELL AS ANY OTHER PERSON(S) IN VIEWING OF THIS PRODUCT IS RESPONSIBLE FOR VERIFYING COMPLIANCE WITH ANY BUT NOT LIMITED TO ALL CODES, PERMITS, RESTRICTIONS, INSTRUCTIONS, PURCHASES, AND INSTALLATIONS OF OBJECTS VIEWED WITHIN THIS DOCUMENT(S) OR PROJECT(S). SYMBOLS ARE NOT DRAWN TO SCALE. SIZE IS FOR CLARITY PURPOSES ONLY. SIZES AND DIMENSIONS ARE APPROXIMATE. ACTUAL MEASUREMENTS MAY VARY. DRAWINGS ARE NOT INTENDED FOR ENGINEERING OR CONSTRUCTION USE. THIS DOCUMENT, ANY RED LEONARD DRAWING(S), OR PROJECT(S) IS NOT TO BE USED AND/OR INTENDED FOR ENGINEERING OR CONSTRUCTION PURPOSES, BUT FOR ILLUSTRATIVE PURPOSES ONLY. ANY LOCATIONS OF EMERGENCY LIGHTING SHOWN WERE PROVIDED BY OTHERS. RED LEONARD ASSOCIATES IS NOT RESPONSIBLE FOR INSUFFICIENT LIGHTING DURING AN EMERGENCY EVENT. ANY USE OF THIS DOCUMENTATION AND/OR OTHER ARTICLES PRODUCED BY RED LEONARD WITHOUT WRITTEN AUTHORIZATION FROM JAVINE J. LEONARD IS STRICTLY PROHIBITED.

SCALE: 1" = 30'
 LAYOUT BY: FNE
 DWG SIZE: D
 DATE: 4/9/21

PROJECT NAME:
CIRCLE K
OTTAWA, ON
 DRAWING NUMBER:
RL-7298-S1-R1



QTY	LABEL	DESCRIPTION
2	A3-2	OSQ-ML-B-XX-XX + OSQM-B-16L-57K7-3M-UL-NM-XX
3	A3B	OSQ-ML-B-XX-XX + OSQM-B-16L-57K7-3M-UL-NM-XX + OSQ-BLSMF
1	A4	OSQ-ML-B-XX-XX + OSQM-B-16L-57K7-4M-UL-NM-XX
4	A4B	OSQ-ML-B-XX-XX + OSQM-B-16L-57K7-4M-UL-NM-XX + OSQ-BLSMF

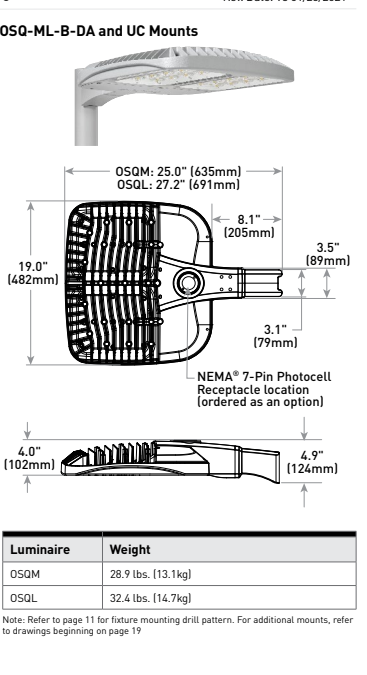
OSQ Series

OSQ™ LED Area/Flood Luminaire featuring Cree TrueWhite® Technology - Medium & Large

Product Description
The OSQ™ Area/Flood luminaire blends extreme optical control, advanced thermal management and modern, sleek aesthetics. Built to last, the housing is rigid aluminum with an integral, weatherlight LED driver compartment. Variable mounting configurations offer simple installation to site. Low profile design requires minimal headroom and benefits applications up to 200 feet. The 22L luminaire package is a suitable upgrade for HID applications up to 750 Watts, and the 30L luminaire package is a suitable upgrade for HID applications up to 1000 Watts.

Applications: Parking lots, walkways, campuses, car dealerships, office campuses, tunnels, universities, and interior roadway.

Performance Summary
Utilizes Cree TrueWhite™ Technology on 3000K Luminaire
NEMA3™ Protection Rating (IP67)
Assembled in the U.S.A. of U.S. and imported parts
Initial Delivered Lumens: 4,000 - 30,000
Efficacy: Up to 173 LPW
CRI: Minimum 70 CRI
 CCT: 3000K, 4000K, 5000K, 5700K, 6500K
 Limited Warranty: 10 years on luminaire; 10 years on ColorStar DeltaGuard™ finish, up to 5 years for Strap Accessories; 1 year on luminaire accessories.
 See the complete range of accessories for this luminaire series. See the complete range of accessories for this luminaire series.



Family	Size	Series	Options	Color	Options
OSQ	22L	OSQ22L	OSQ22L	White	White
OSQ	30L	OSQ30L	OSQ30L	White	White

US: creelighting.com 1 800 234-4800
Canada: creelighting-canada.com 1 800 473-1234

QTY	LABEL	DESCRIPTION
24	CAN	CPY250-B-DM-F-E-UL-XX-57K

CPY Series - Version B

CPY250™ LED Canopy/SoftLuminaire

Product Description
The CPY250™ LED Canopy/SoftLuminaire has an extremely thin profile constructed of rigid steel canopy. It is a surface mounted design that allows the canopy to be used as a pendant luminaire. Direct lighting of the LED is eliminated with a highly efficient patterned flat (H) LED downlight design.

Performance Summary
Assembled in the U.S.A. of U.S. and imported parts
Initial Delivered Lumens: Up to 20,000
Efficacy: Up to 151 LPW
CRI: Minimum 70 CRI
 CCT: 3000K (L), 4000K (L), 5000K (L), 5700K (L), 6500K (L)
 Limited Warranty: 10 years on luminaire/10 years on ColorStar DeltaGuard™ finish
 See the complete range of accessories for this luminaire series.



Product	Version	Mounting	Optic	Luminaire Package	Color	Options
CPY250	B	DM	H	DM	White	White

US: creelighting.com 1 800 234-4800
Canada: creelighting-canada.com 1 800 473-1234

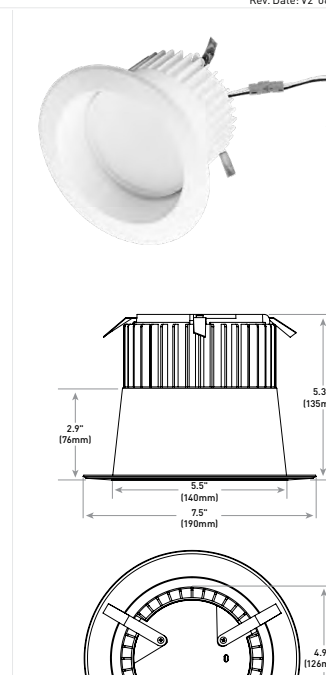
QTY	LABEL	DESCRIPTION
9	L	LRX6-16L-40K-120V

LRX Series

LRX™ LED Downlight - 6"

Product Description
The LRX™ downlight is an unparalleled combination of light quality and efficacy - bringing outstanding performance and value to the retrofit downlight space. Delivering up to 8000 lumens of exceptional 90+ CRI light while achieving up to 70 lumens per watt, this breakthrough performance is achieved by combining the high efficacy with an integrated driver and thermal management design. The LRX™ downlight is available in warm or neutral color temperatures, three lumen packages, and offers a variety of trim options.

Performance Summary
Utilizes Cree TrueWhite™ Technology
Initial Delivered Lumens: 600 - 1,000
Efficacy: 80 - 120 lumens/W
CRI: 90+
 CCT: 2700K, 3000K, 3500K, 4000K
 Limited Warranty: 10 years
 Lifetime: >100,000 hours at 35°C
 Dimming: Dimmable to 5%



Series	Initial Delivered Lumens	CCT	Voltage	Beam Type
LRX	600 Lumens - 81 Lumens	2700K, 3000K, 3500K, 4000K	120V/277V	Beam

US: creelighting.com 1 800 234-4800
Canada: creelighting-canada.com 1 800 473-1234

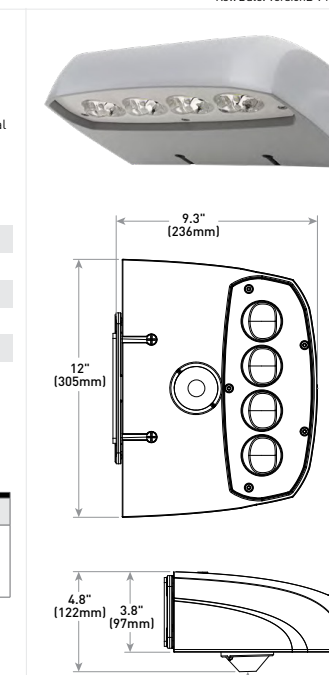
QTY	LABEL	DESCRIPTION
12	WP	XSPW-B-WM-3ME-8L-40K-UL-XX

XSP Series

XSPW™ LED Wall Mount Luminaire featuring Cree TrueWhite® Technology

Product Description
The XSPW™ LED wall mount luminaire has a slim, low profile design intended for outdoor wall mounted applications. The rugged lightweight aluminum housing and mounting bracket are designed for installation on standard single gang J-boxes and dual ring single gang J-boxes. The luminaire allows for through-wire or conduit entry from the bottom, sides, and rear. The housing design is uniquely modified for LED technology including a weatherlight LED driver compartment and thermal management. One design features industry leading NEMA3™ Protection Delivery Optic™ finish.

Performance Summary
NEMA3™ Protection Delivery Optic™ finish
Assembled in the U.S.A. of U.S. and imported parts
CRI: Minimum 70 CRI
 CCT: 3000K, 4000K, 5000K, 5700K, 6500K
 Limited Warranty: 10 years on luminaire/10 years on ColorStar DeltaGuard™ finish
 See the complete range of accessories for this luminaire series.



Product	Version	Mounting	Optic	Luminaire Package	Color	Options
XSPW	B	WP	DMC	2L Lumens	White	White

US: creelighting.com 1 800 234-4800
Canada: creelighting-canada.com 1 800 473-1234

OSQ™ LED Area/Flood Luminaire featuring Cree TrueWhite® Technology - Medium & Large

Product Specifications
CREE TRUETHWITE™ TECHNOLOGY
Cree TrueWhite™ Technology is a patented process that delivers high quality white light. Cree TrueWhite™ Technology is a patented process that delivers high quality white light. Cree TrueWhite™ Technology is a patented process that delivers high quality white light.

CONSTRUCTION & MATERIALS
• Slim, low profile design
• Durable aluminum housing protecting the light source. Adjustable fit clips provide robust retention for flush ceiling or recessed ceiling and driver.
• Thermal management system uses integral heat sink to conduct heat away from LEDs for maximum performance. LED junction temperature is maintained by fan-cooled maximum when installed in worst case installation.
• Suitable for un-ventilated and non-ventilated ceilings.
• One-piece aluminum lens reflector reduces light while also conducting heat away from LEDs. It creates a comfortable visual transition from the lens to the ceiling plane and easily accommodates LED snap-in trim.

Electrical Data	Lumens Package	System	Total Current (A)
22L	OSQ22L	120V/277V	0.89 / 0.89

US: creelighting.com 1 800 234-4800
Canada: creelighting-canada.com 1 800 473-1234

CPY250™ LED Canopy/SoftLuminaire - Version B

Product Specifications
CONSTRUCTION & MATERIALS
• Slim, low profile design
• Durable aluminum housing protecting the light source. Adjustable fit clips provide robust retention for flush ceiling or recessed ceiling and driver.
• Thermal management system uses integral heat sink to conduct heat away from LEDs for maximum performance. LED junction temperature is maintained by fan-cooled maximum when installed in worst case installation.
• Suitable for un-ventilated and non-ventilated ceilings.
• One-piece aluminum lens reflector reduces light while also conducting heat away from LEDs. It creates a comfortable visual transition from the lens to the ceiling plane and easily accommodates LED snap-in trim.

Electrical Data	Lumens Package	System	Total Current (A)
DM	DM	120V/277V	0.89 / 0.89

US: creelighting.com 1 800 234-4800
Canada: creelighting-canada.com 1 800 473-1234

LRX™ LED Downlight - 6"

Product Specifications
CREE TRUETHWITE™ TECHNOLOGY
Cree TrueWhite™ Technology is a patented process that delivers high quality white light. Cree TrueWhite™ Technology is a patented process that delivers high quality white light. Cree TrueWhite™ Technology is a patented process that delivers high quality white light.

CONSTRUCTION & MATERIALS
• Slim, low profile design
• Durable aluminum housing protecting the light source. Adjustable fit clips provide robust retention for flush ceiling or recessed ceiling and driver.
• Thermal management system uses integral heat sink to conduct heat away from LEDs for maximum performance. LED junction temperature is maintained by fan-cooled maximum when installed in worst case installation.
• Suitable for un-ventilated and non-ventilated ceilings.
• One-piece aluminum lens reflector reduces light while also conducting heat away from LEDs. It creates a comfortable visual transition from the lens to the ceiling plane and easily accommodates LED snap-in trim.

Electrical Data	Lumens Package	System	Total Current (A)
L	L	120V/277V	0.89 / 0.89

US: creelighting.com 1 800 234-4800
Canada: creelighting-canada.com 1 800 473-1234

XSPW™ LED Wall Mount Luminaire

Product Specifications
CREE TRUETHWITE™ TECHNOLOGY
Cree TrueWhite™ Technology is a patented process that delivers high quality white light. Cree TrueWhite™ Technology is a patented process that delivers high quality white light. Cree TrueWhite™ Technology is a patented process that delivers high quality white light.

CONSTRUCTION & MATERIALS
• Slim, low profile design
• Durable aluminum housing protecting the light source. Adjustable fit clips provide robust retention for flush ceiling or recessed ceiling and driver.
• Thermal management system uses integral heat sink to conduct heat away from LEDs for maximum performance. LED junction temperature is maintained by fan-cooled maximum when installed in worst case installation.
• Suitable for un-ventilated and non-ventilated ceilings.
• One-piece aluminum lens reflector reduces light while also conducting heat away from LEDs. It creates a comfortable visual transition from the lens to the ceiling plane and easily accommodates LED snap-in trim.

Electrical Data	Lumens Package	System	Total Current (A)
WP	WP	120V/277V	0.89 / 0.89

US: creelighting.com 1 800 234-4800
Canada: creelighting-canada.com 1 800 473-1234

CREE LIGHTING

US: creelighting.com 1 800 234-4800
Canada: creelighting-canada.com 1 800 473-1234

CREE LIGHTING

US: creelighting.com 1 800 234-4800
Canada: creelighting-canada.com 1 800 473-1234

CREE LIGHTING

US: creelighting.com 1 800 234-4800
Canada: creelighting-canada.com 1 800 473-1234

CREE LIGHTING

US: creelighting.com 1 800 234-4800
Canada: creelighting-canada.com 1 800 473-1234

CREE LIGHTING

US: creelighting.com 1 800 234-4800
Canada: creelighting-canada.com 1 800 473-1234

REDLEONARD ASSOCIATES

1340 Kemper Meadow Dr. Forest Park, OH 45424
513-674-9500 | redleonard.com

FOR ILLUSTRATION AND QUOTING PURPOSES ONLY. RED LEONARD ASSOCIATES HAS THE RIGHT TO USE THIRD PARTY SERVICES, SCANNERS, AND CAMERAS BUT ACTUAL PROJECT CONDITIONS, DIMENSIONS, AND ACCURACY OF MEASUREMENTS MAY DIFFER FROM THESE OR ANY PARAMETERS. RED LEONARD ASSOCIATES INC. ASSUMES NO LIABILITY FOR WHAT IS CREATED/PRODUCED IN THESE RECREATIONS. THIS INCLUDES BUT IS NOT LIMITED TO THE USE OF, INSTALLATION OF AND/OR INTEGRITY OF EXISTING BUILDINGS/SUBROUNDER AREA FOR PRODUCTS (SUCH AS EXISTING POLES), ANCHOR BOLTS, BASES), ARCHITECTURAL AND SIGNAGE STRUCTURES), LANDSCAPING PLANS), LIGHTING PLANS), FURNITURE SELECTIONS) AND PLACEMENT, MATERIALS, COLOR ACCURACY, TEXTURES), AND ANYTHING ATTRIBUTED TO PHOTO REALISM THAT IS CREATED. FURTHERMORE, RED LEONARD ASSOCIATES INC. DOES NOT ASSUME LIABILITY WHATSOEVER FOR ANY PURCHASES MADE BY CLIENT BEFORE, DURING, OR AT THE CONCLUSION OF THE PUBLISHED WORK. THE CUSTOMER, ITS RELATIVE AFFILIATES, AS WELL AS ANY OTHER PERSONS IN VIEWING OF THIS PRODUCT IS RESPONSIBLE FOR VERIFYING COMPLIANCE WITH ANY BUT NOT LIMITED TO ALL CODES, PERMITS, RESTRICTIONS, INSTRUCTIONS, PURCHASES, AND INSTALLATIONS OF OBJECTS VIEWED WITHIN THIS DOCUMENT(S) OR PROJECT(S). SYMBOLS ARE NOT DRAWN TO SCALE SIZE IS FOR CLARITY PURPOSES ONLY. SIZES AND DIMENSIONS ARE APPROXIMATE. ACTUAL MEASUREMENTS MAY VARY. DRAWINGS ARE NOT INTENDED FOR ENGINEERING OR CONSTRUCTION USE. THIS DOCUMENT, ANY RED LEONARD DRAWINGS), OR PROJECT(S) IS NOT TO BE USED ON AND/OR INTENDED FOR ENGINEERING OR CONSTRUCTION PURPOSES, BUT FOR ILLUSTRATIVE PURPOSES ONLY. ANY USE OF THIS DOCUMENTATION AND/OR OTHER MATERIALS PRODUCED BY RED LEONARD WITHOUT WRITTEN AUTHORIZATION FROM JAYME I. LEONARD IS STRICTLY PROHIBITED.

PROJECT NAME: CIRCLE K OTTAWA, ON
DRAWING NUMBER: RL-7298-S1-R1

