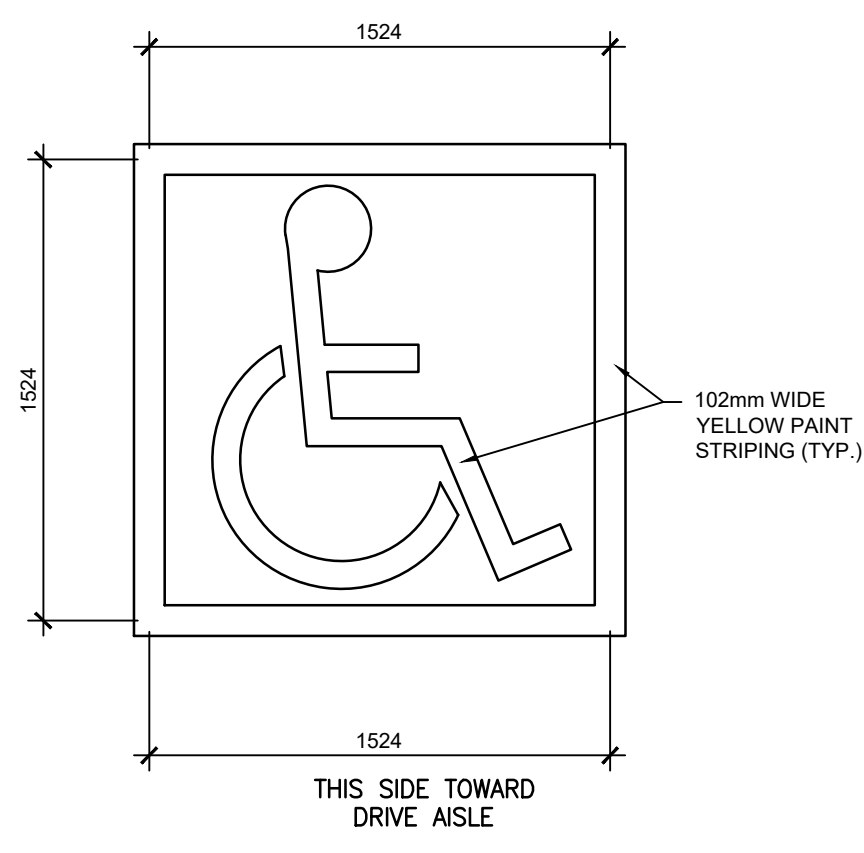
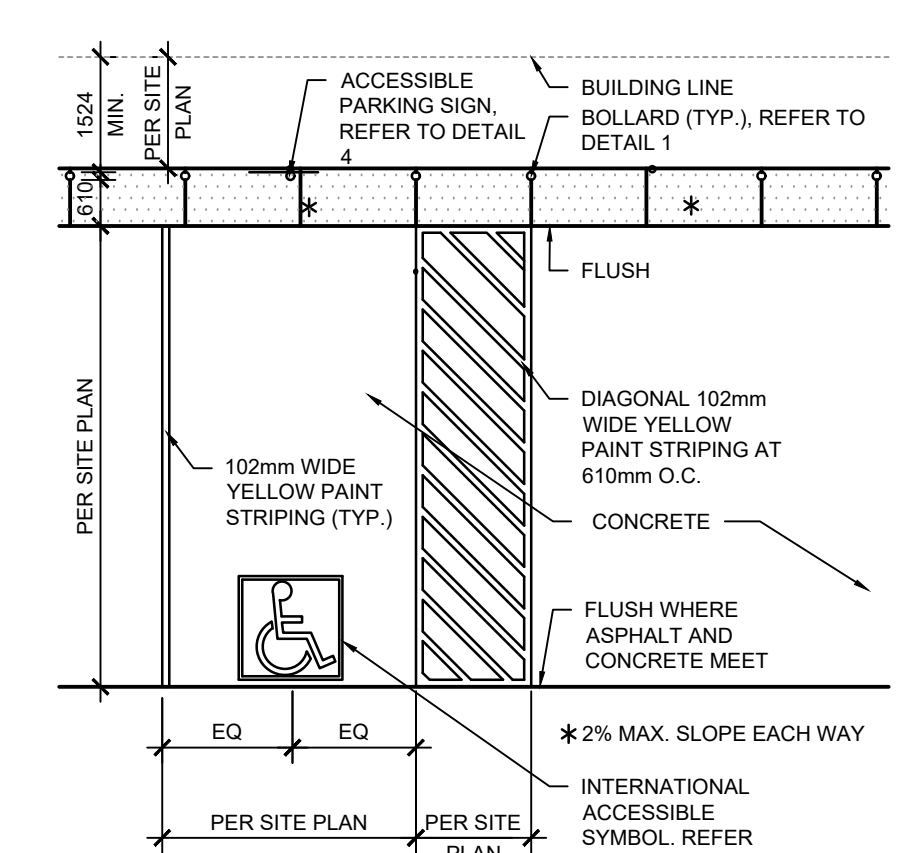


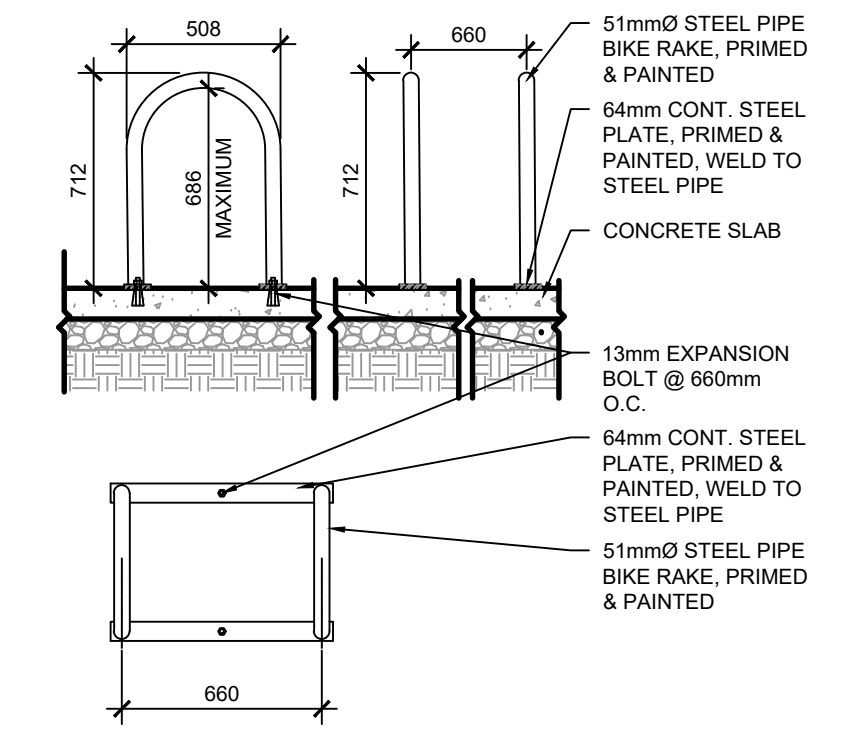
GENERAL NOTES:
 1. REFER TO SITE PLAN FOR CORRECT ORIENTATION AND LAYOUT. IN SOME CASES MINIMUM DIMENSIONS ARE NOTED BUT SITE PLAN DIMENSIONS TAKE PRECEDENCE.



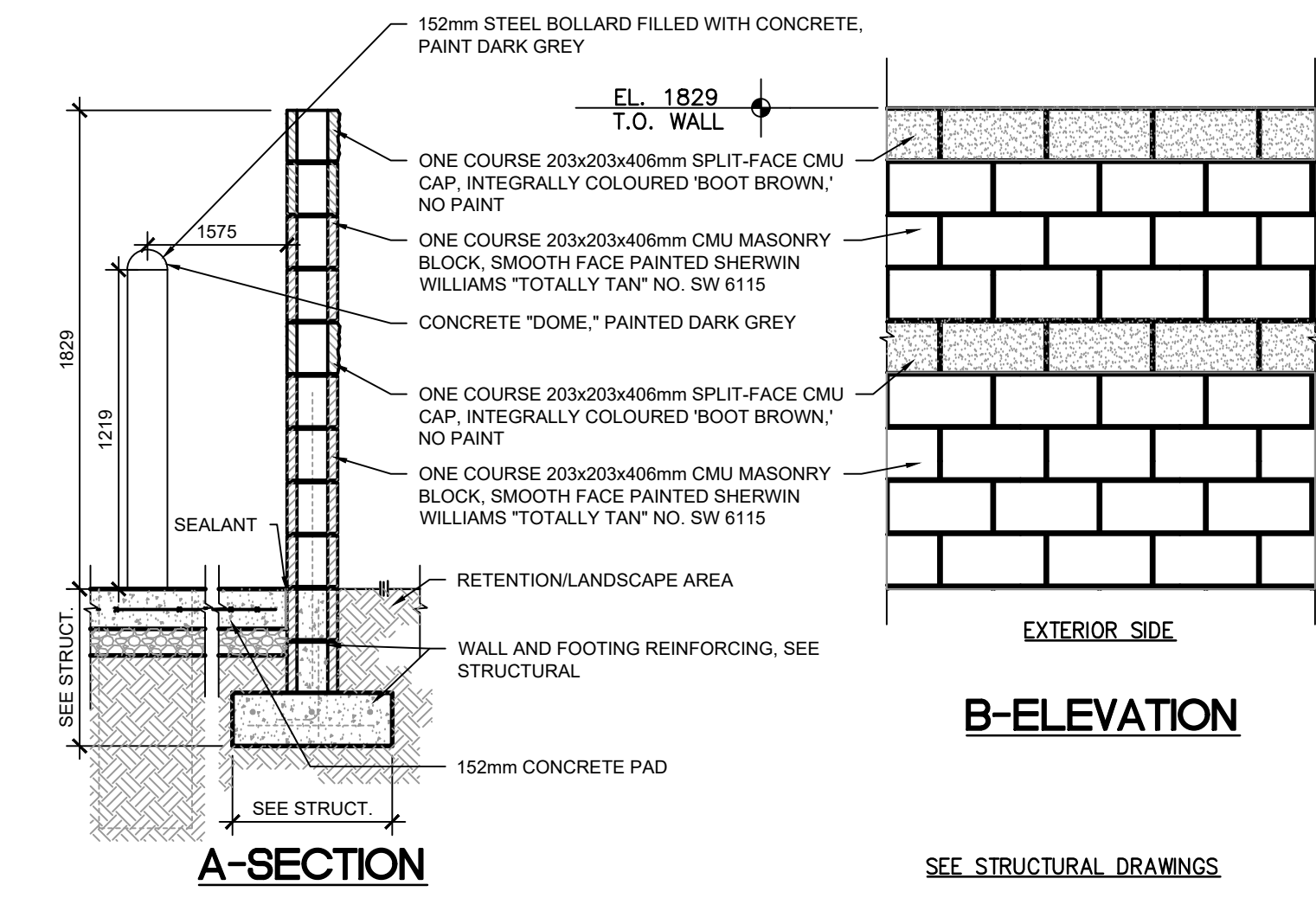
12 ACCESSIBLE PARKING SYMBOL
SCALE 1:25



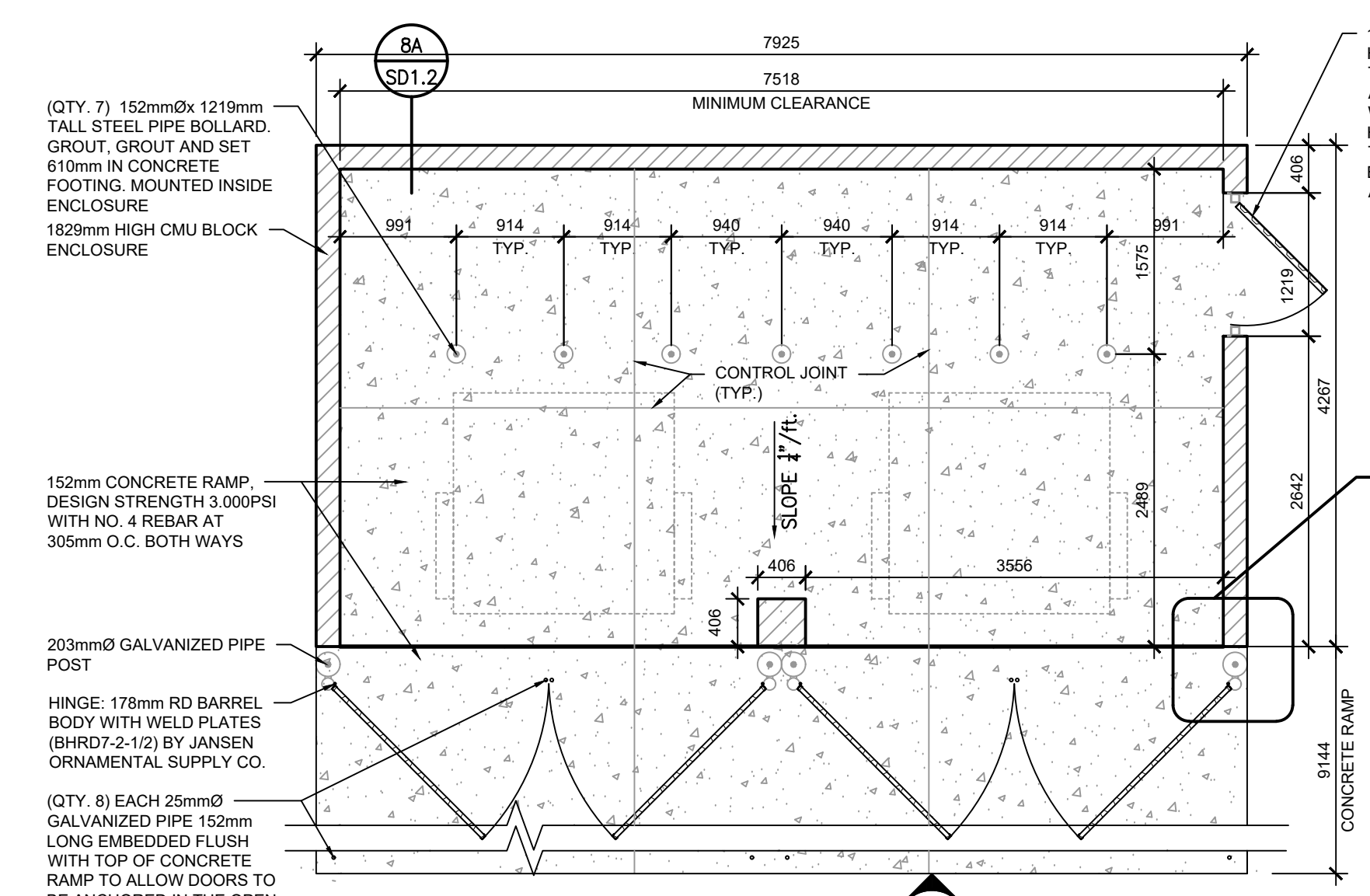
9 ACCESSIBLE PARKING STALL
SCALE 1:100



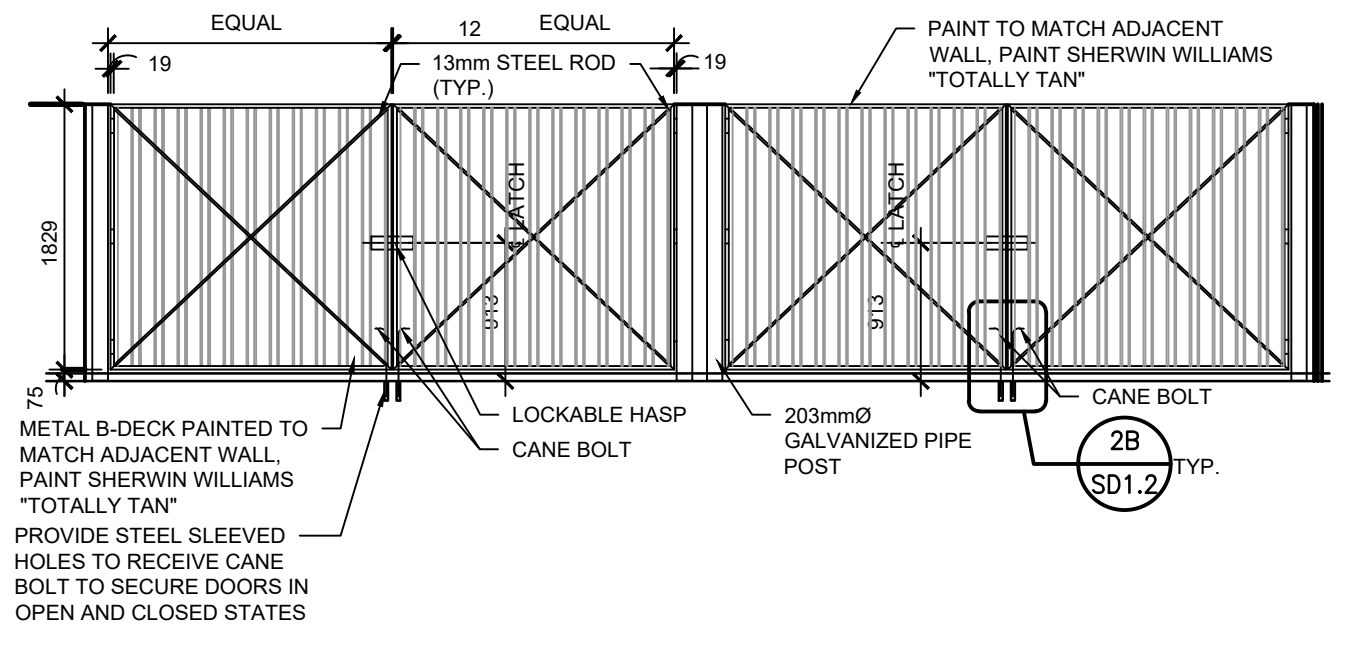
11 BIKE RACK (TYP.)
SCALE 1:25



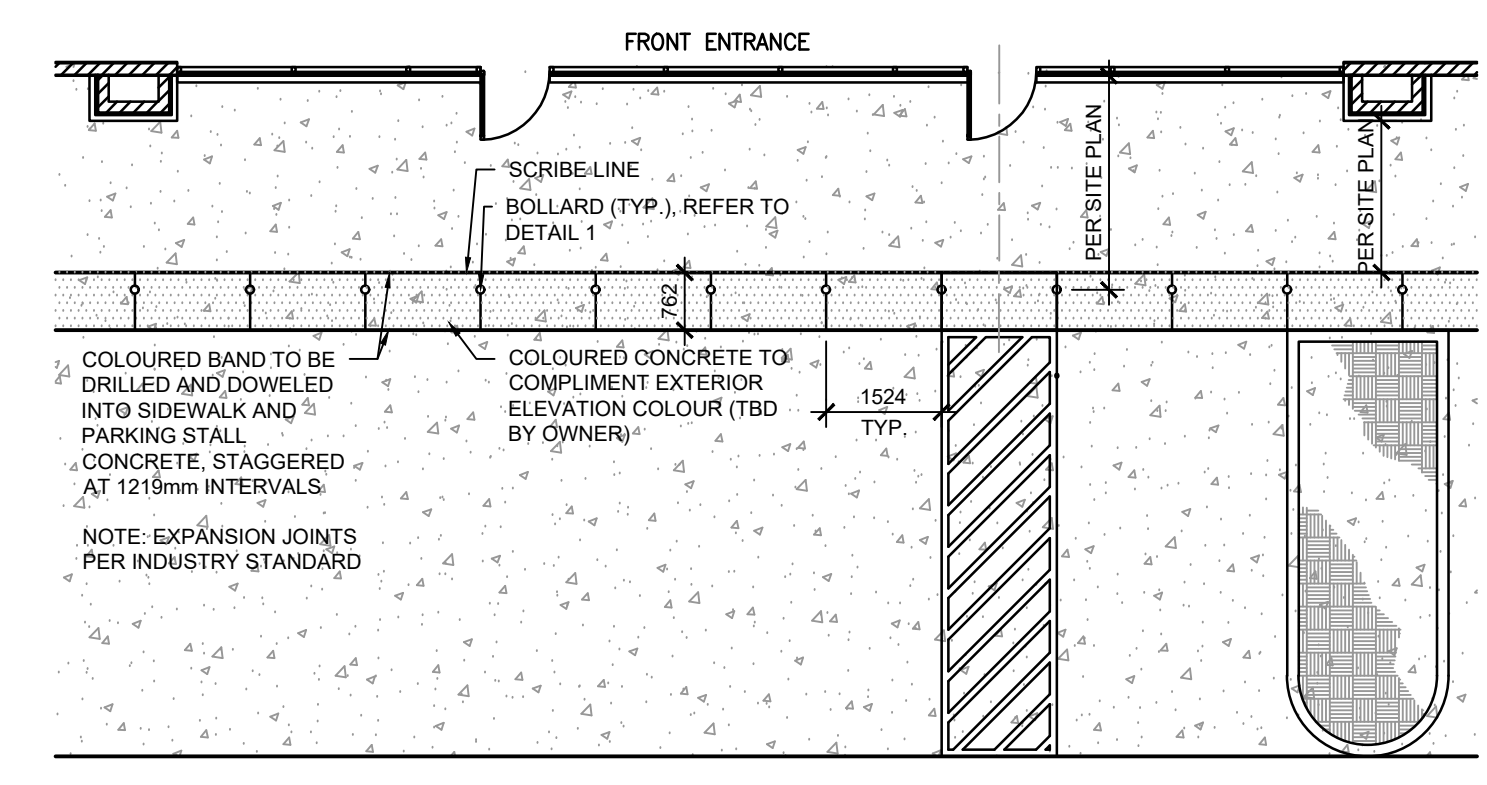
8 1829 TRASH ENCLOSURE
SCALE 1:25



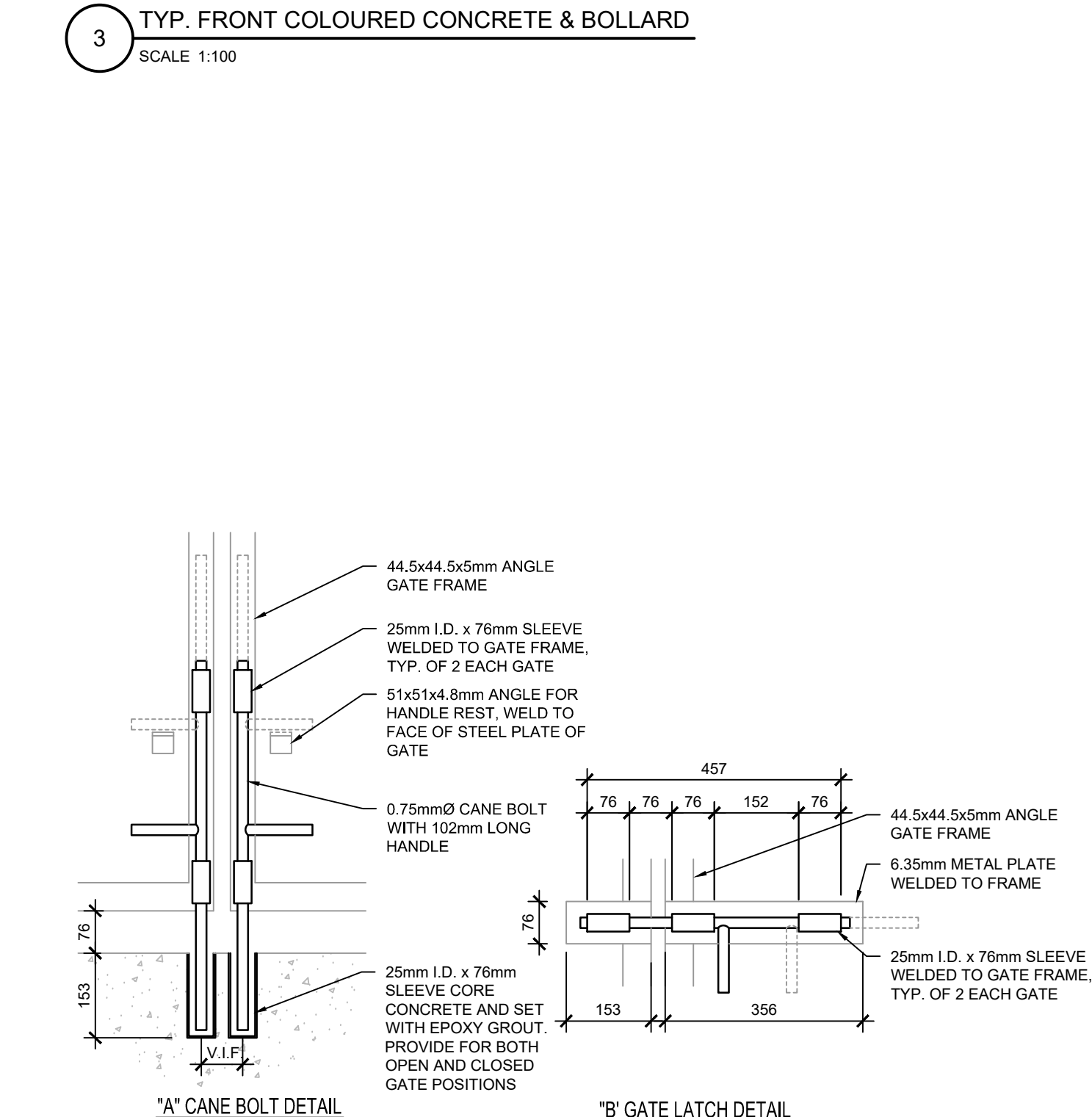
6 TRASH ENCLOSURE PLAN
SCALE 1:50



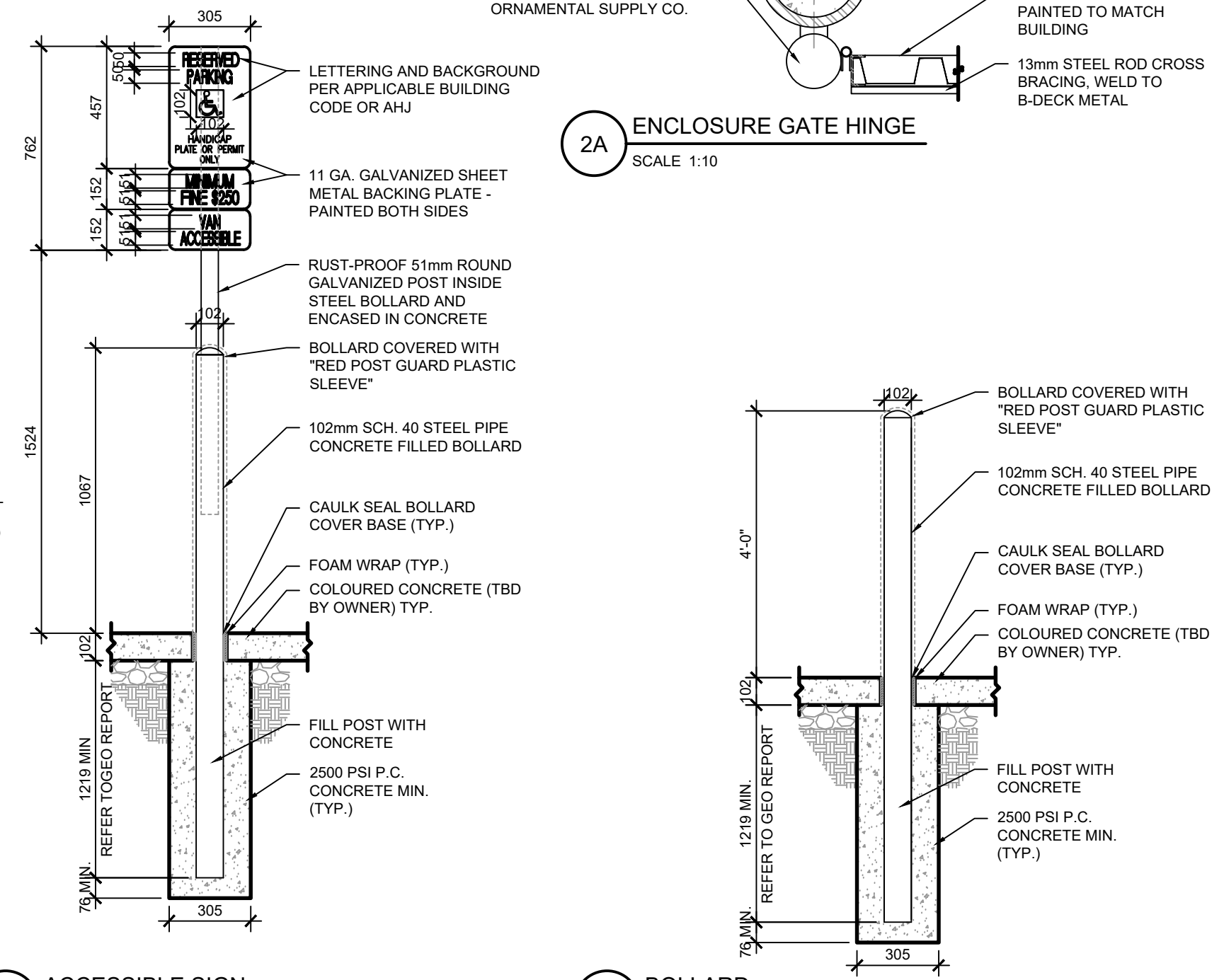
7 TRASH ENCLOSURE GATE ELEVATION
SCALE 1:25



3 TYP. FRONT COLOURED CONCRETE & BOLLARD
SCALE 1:100

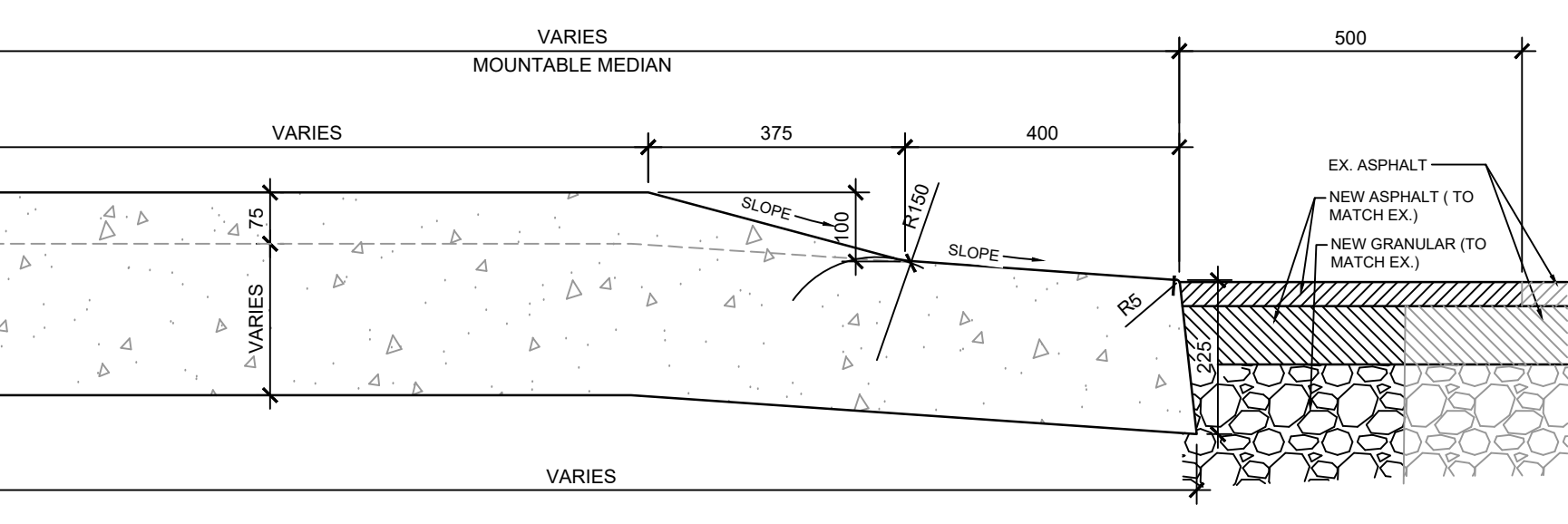


2A ENCLOSURE GATE HINGE
SCALE 1:10



4 ACCESSIBLE SIGN
SCALE 1:20

1 BOLLARD
SCALE 1:20



A MEDIAN SECTION
SUPERELEVATED OPSD 600 030
SCALE 1:100

A	ISSUED FOR SPA	APR 27 2021	C.F.	C.F.
---	----------------	-------------	------	------

No.	REVISIONS	Date	By	App.

Disclaimer: exp Services Inc. This file is being supplied as a matter of course and is not to be taken as an agreement to, associated with or in place of placement of copies of the officially signed and sealed documents. The data is provided "as is" without a warranty of any kind, either expressed or implied. These files do not include a professional engineer's stamp on the drawings, and only print copies of drawings with signed stamps are to be considered as true and final as issued by our office. Thank you.

exp Services Inc.
 1-1.905.793.0800 | 1-1.905.793.0641
 1595 Clark Boulevard
 Brampton, ON L6T 4V1
 Canada
 www.exp.com

• BUILDINGS • EARTH & ENVIRONMENT • ENERGY •
 • INDUSTRIAL • INFRASTRUCTURE • SUSTAINABILITY •

Owner/Clien:

CIRCLE K

Location:
 1545 WOODROFFE AVE.
 OTTAWA, ON

Title:
 SITE DETAILS

Designed By:	AS NOTED	Drawn By:	T.M.	Checked By:	C.F.
Scale:	AS NOTED	Date:	MARCH 2021	City Drawing No.:	SD1.2
Project No.:	BRM00606364-B0	Drawing No.:			