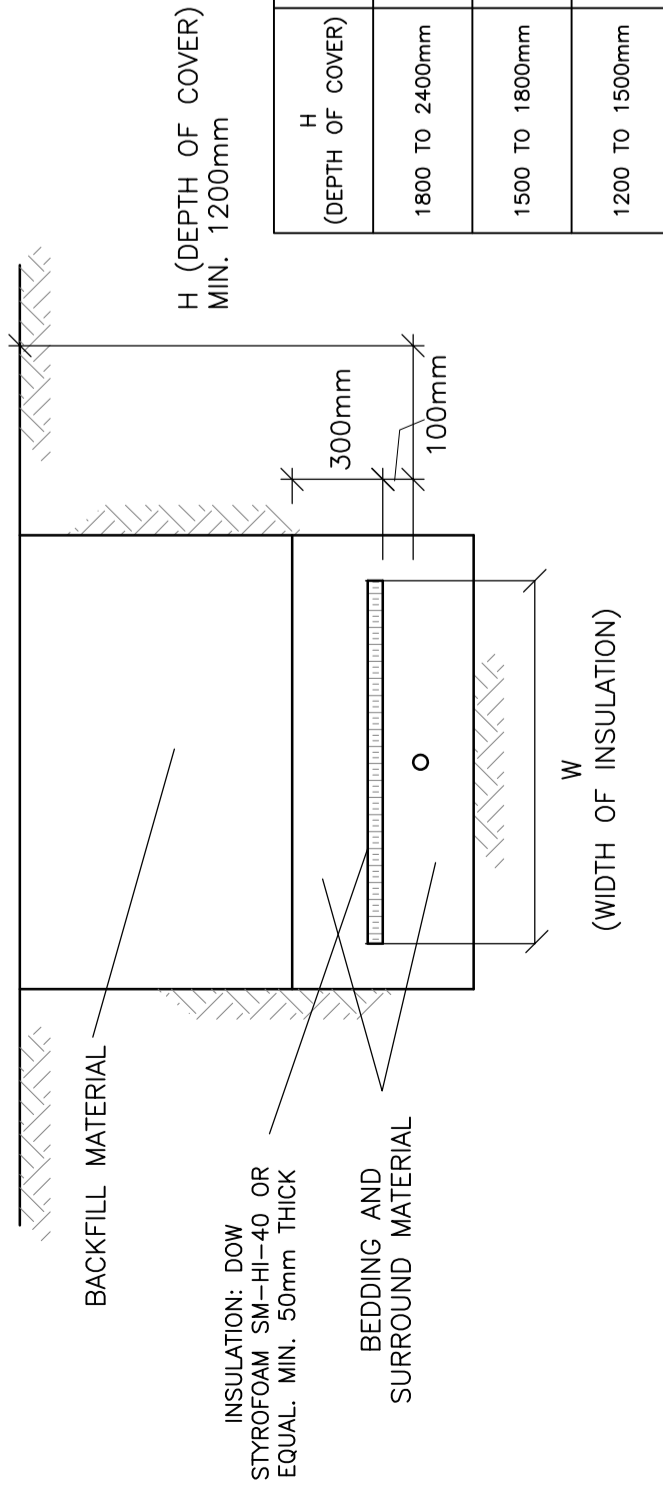
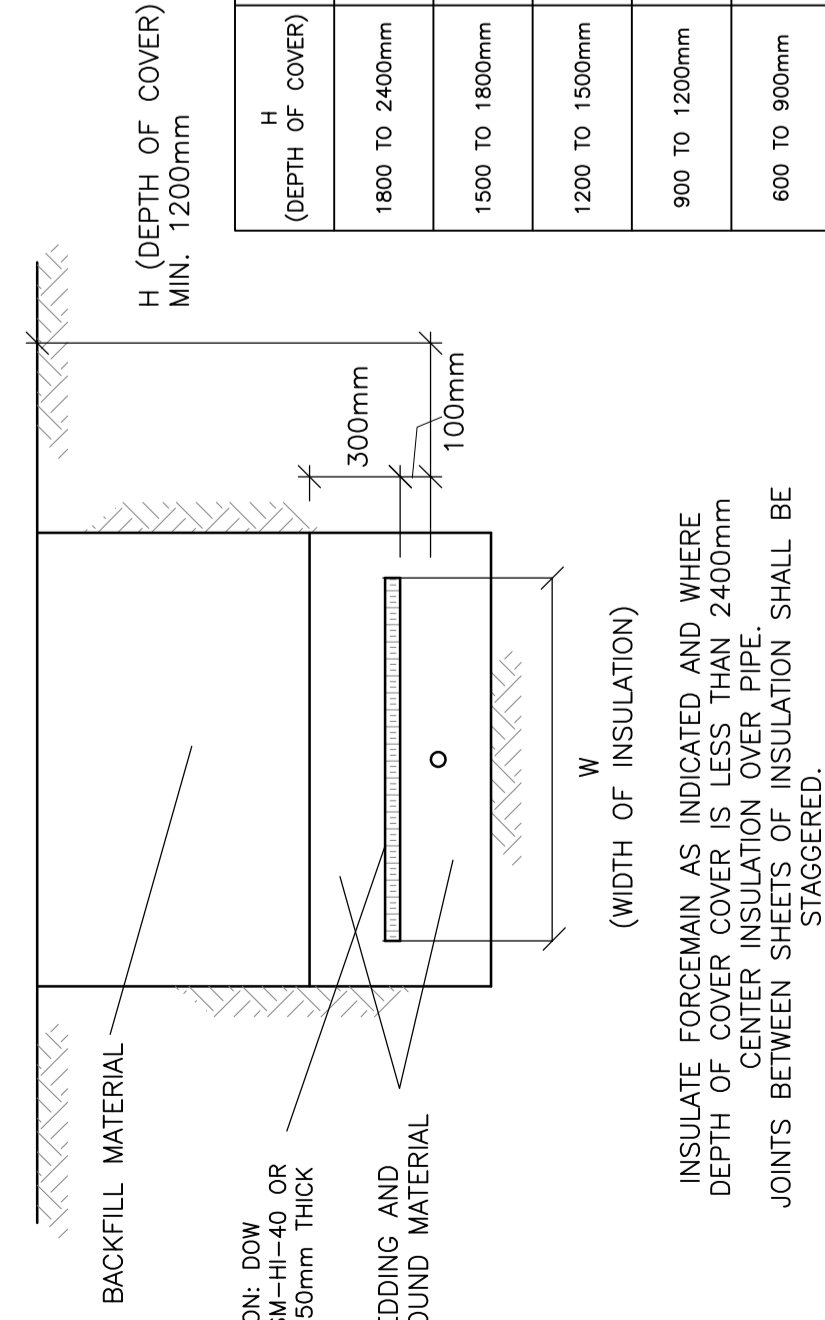


SECTION SWALE
N.T.S.



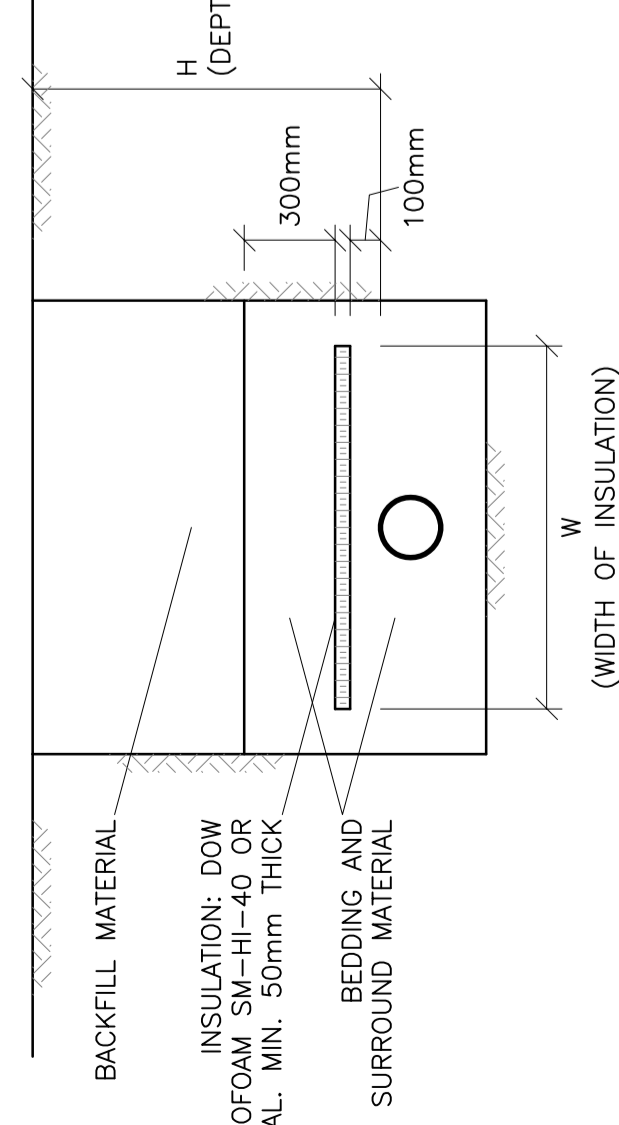
INSULATE SEWER AS INDICATED AND WHERE DEPTH OF COVER IS LESS THAN 2400mm. CENTER INSULATION OVER PIPE. JOINTS BETWEEN SHEETS OF INSULATION SHALL BE STAGGERED.

INSULATION OF WELL WATER LINE
SHALLOW TRENCHES
N.T.S.



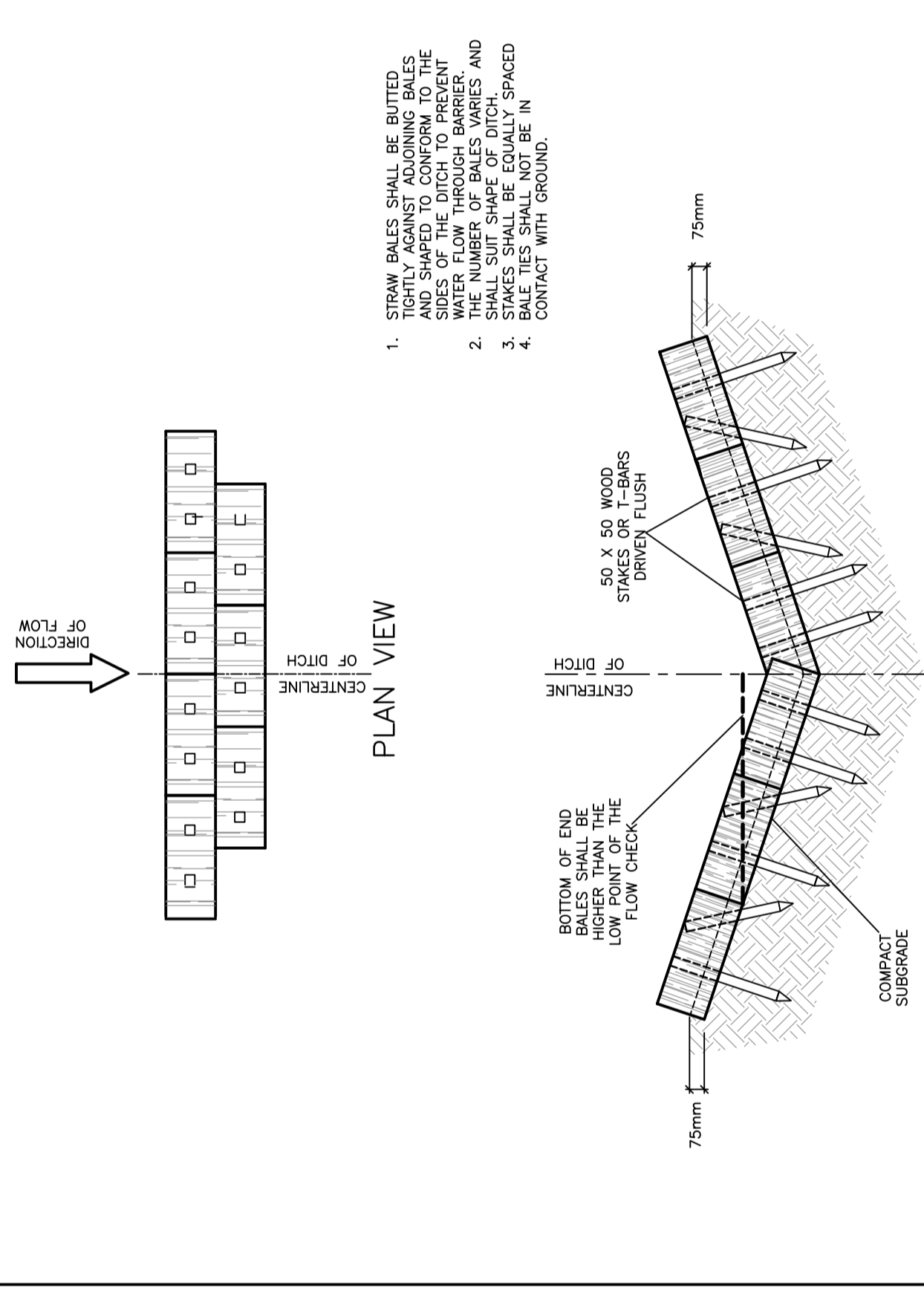
INSULATE FORCEMAIN AS INDICATED AND WHERE DEPTH OF COVER IS LESS THAN 2400mm. CENTER INSULATION OVER PIPE. JOINTS BETWEEN SHEETS OF INSULATION SHALL BE STAGGERED.

INSULATION OF SANITARY
FORCEMAIN IN SHALLOW TRENCHES
N.T.S.



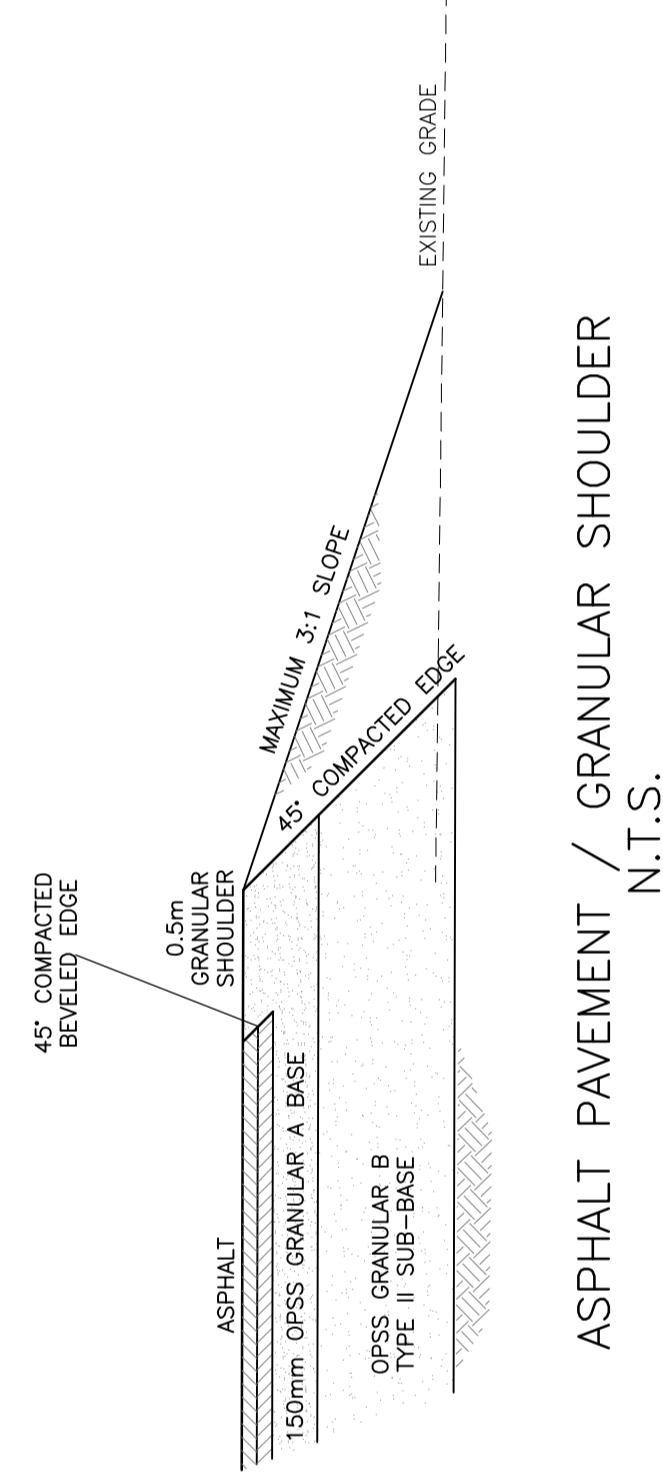
INSULATE SEWER AS INDICATED AND WHERE DEPTH OF COVER IS LESS THAN 2400mm. CENTER INSULATION OVER PIPE. JOINTS BETWEEN SHEETS OF INSULATION SHALL BE STAGGERED.

INSULATION OF SEWERS
IN SHALLOW TRENCHES
N.T.S.

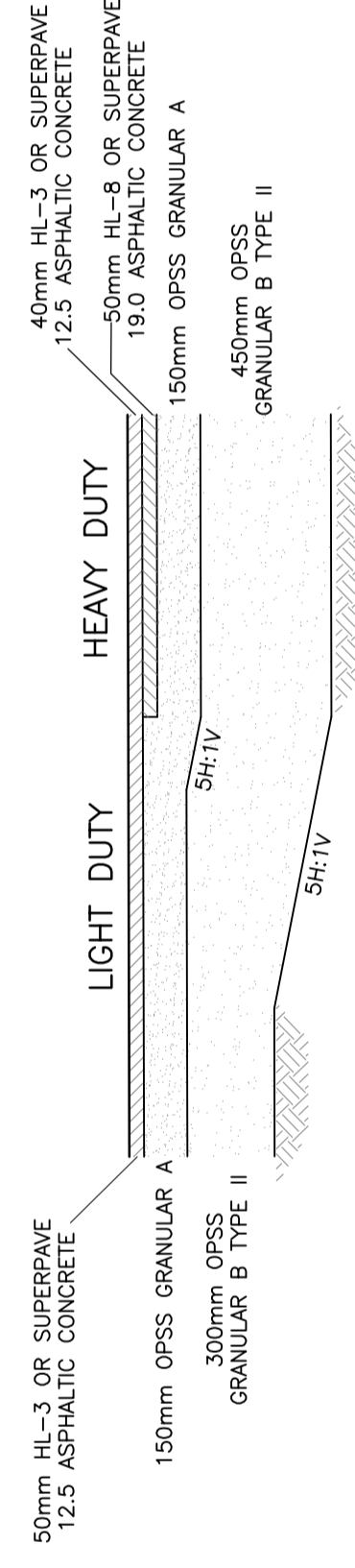


1. STRAW BALES SHALL BE BITTED AND SHAPED TO CONFORM TO THE WATER FLOW THROUGH BARRIER.
2. SHALL SUIT SHAPE OF DITCH.
3. STAKES SHALL BE EQUALLY SPACED AND CONTACT WITH GROUND.
4. CONTACT WITH GROUND.

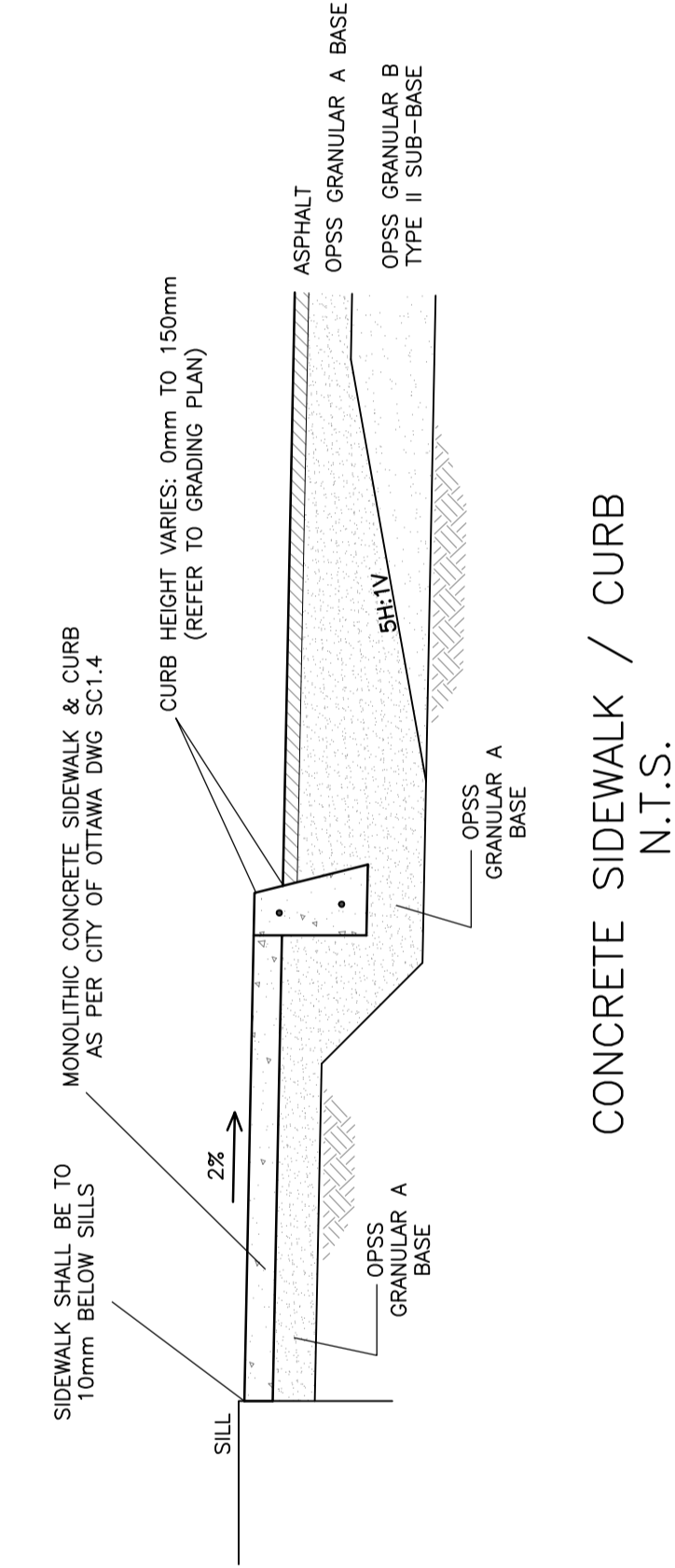
STRAW BALE FLOW
CHECK DAM
AS PER OPSD 219.180
N.T.S.



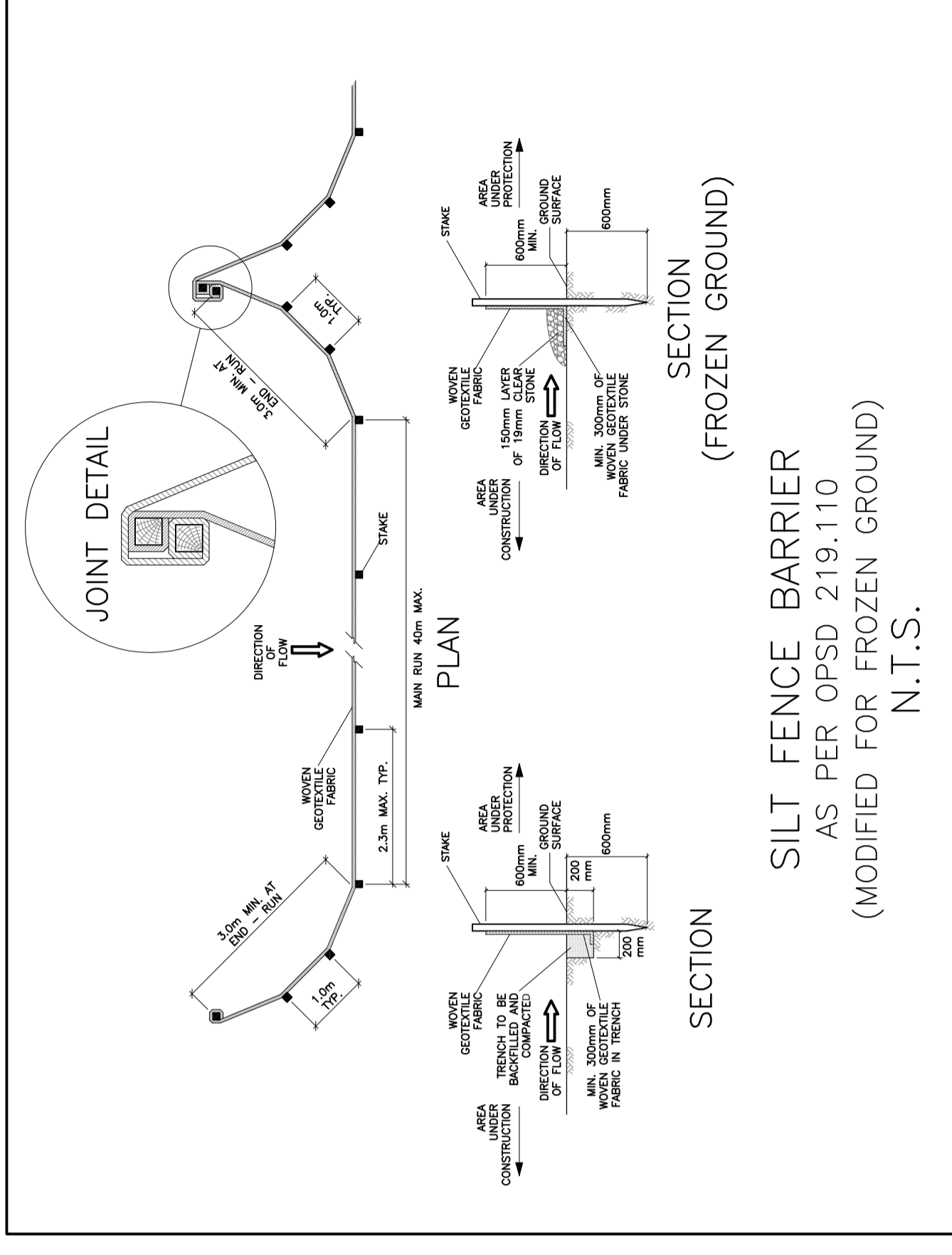
ASPHALT PAVEMENT / GRANULAR SHOULDER
N.T.S.



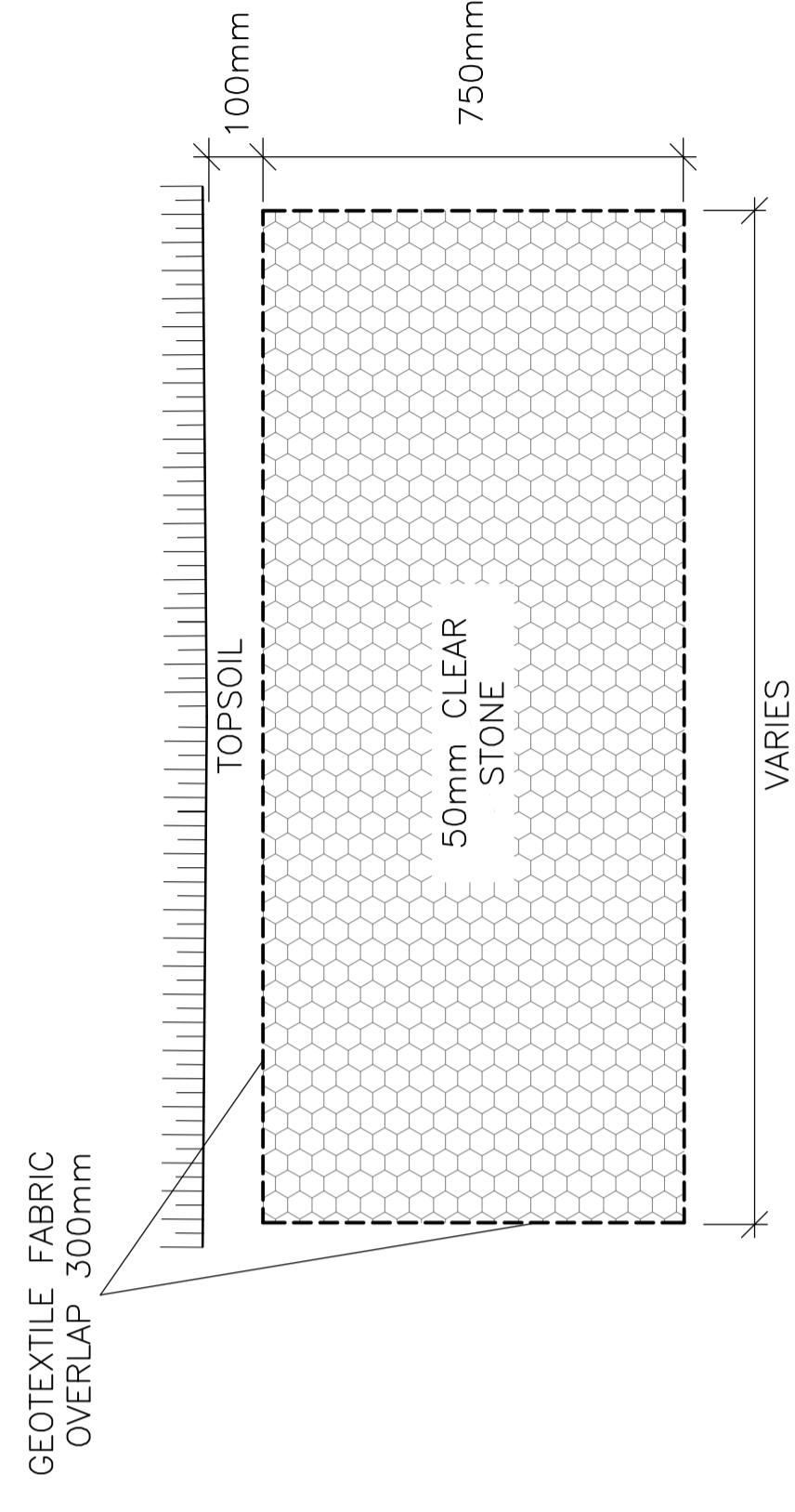
PAVEMENT STRUCTURE
N.T.S.



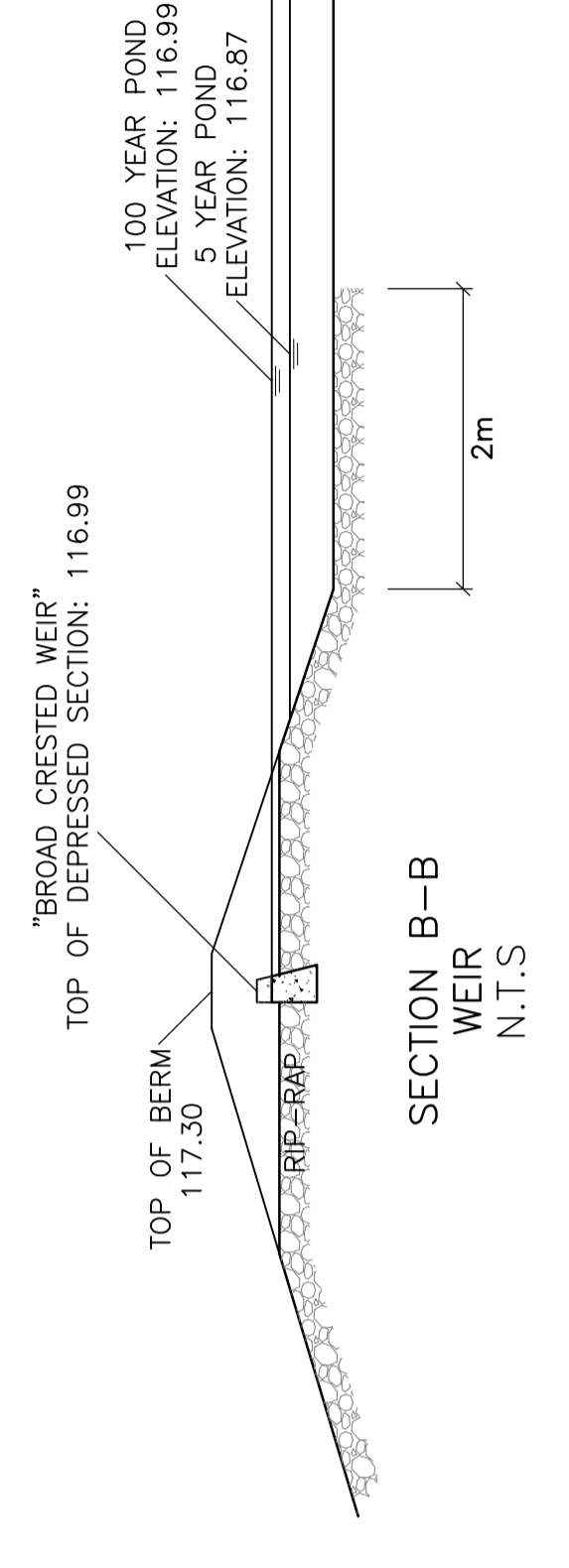
CONCRETE SIDEWALK / CURB
N.T.S.



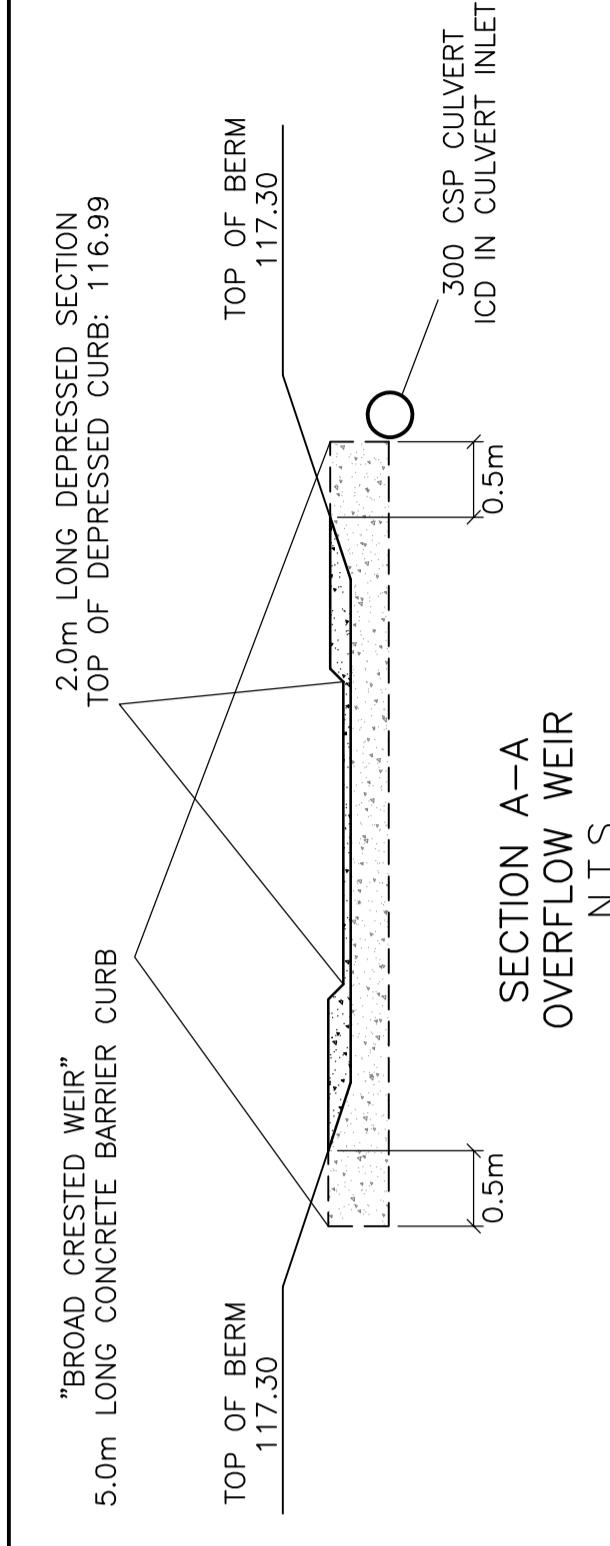
SILT FENCE BARRIER
AS PER OPSD 219.110
(MODIFIED FOR FROZEN GROUND)
N.T.S.



INFILTRATION TRENCH
(INSTALL AT THE END OF CONSTRUCTION)
N.T.S.

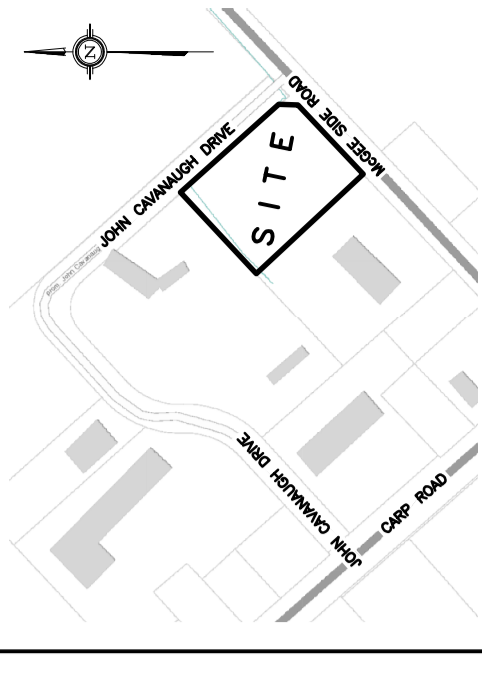


SECTION B-B
WEIR
N.T.S.



SECTION A-A
OVERFLOW WEIR
N.T.S.

KEY PLAN



No.	DATE	REVISION
2	MAR 12-21	ISSUED FOR APPROVAL
1	JAN 27-21	ISSUED FOR REVIEW & COORDINATION

D. B. GRAY ENGINEERING INC.
 700 Long Point Circle
 Ottawa, Ontario
 613-425-8044
 dgray@dbgrayengineering.com

**CLS ROOFING LTD
 OFFICE & WAREHOUSE
 2167 MCGEE SIDE ROAD
 OTTAWA, ONTARIO**

DETAILS

Engineer's Seal
 D.B. GRAY
 700 LONG POINT CIRCLE
 OTTAWA, ONTARIO
 613-425-8044

Drawn: D.B.G.
 Check: J.S.
 Hdr. Scale: 1:250
 Vert. Scale: 1:250
 Date: NOV 18-20
 Rev. No.: 20088

Drawing No. **C-4**
 of **5**

NOT VALID UNLESS SIGNED & DATED