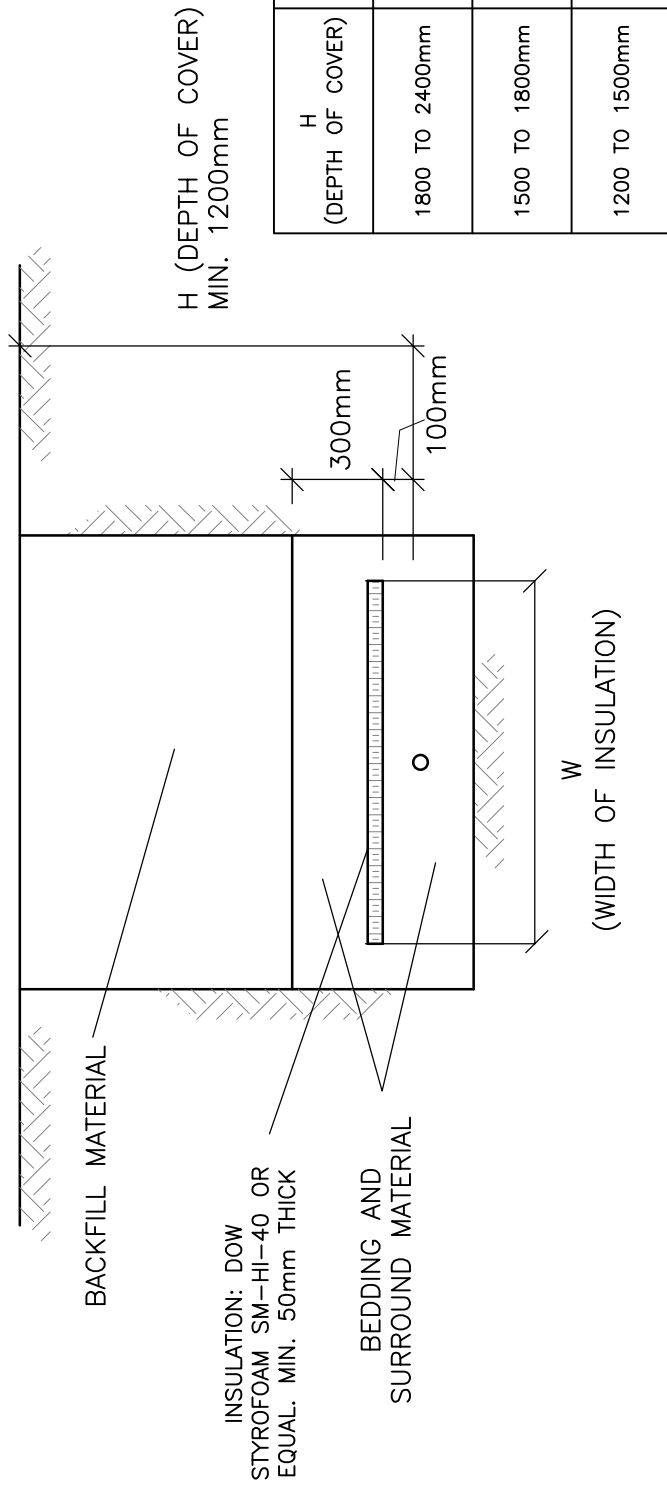
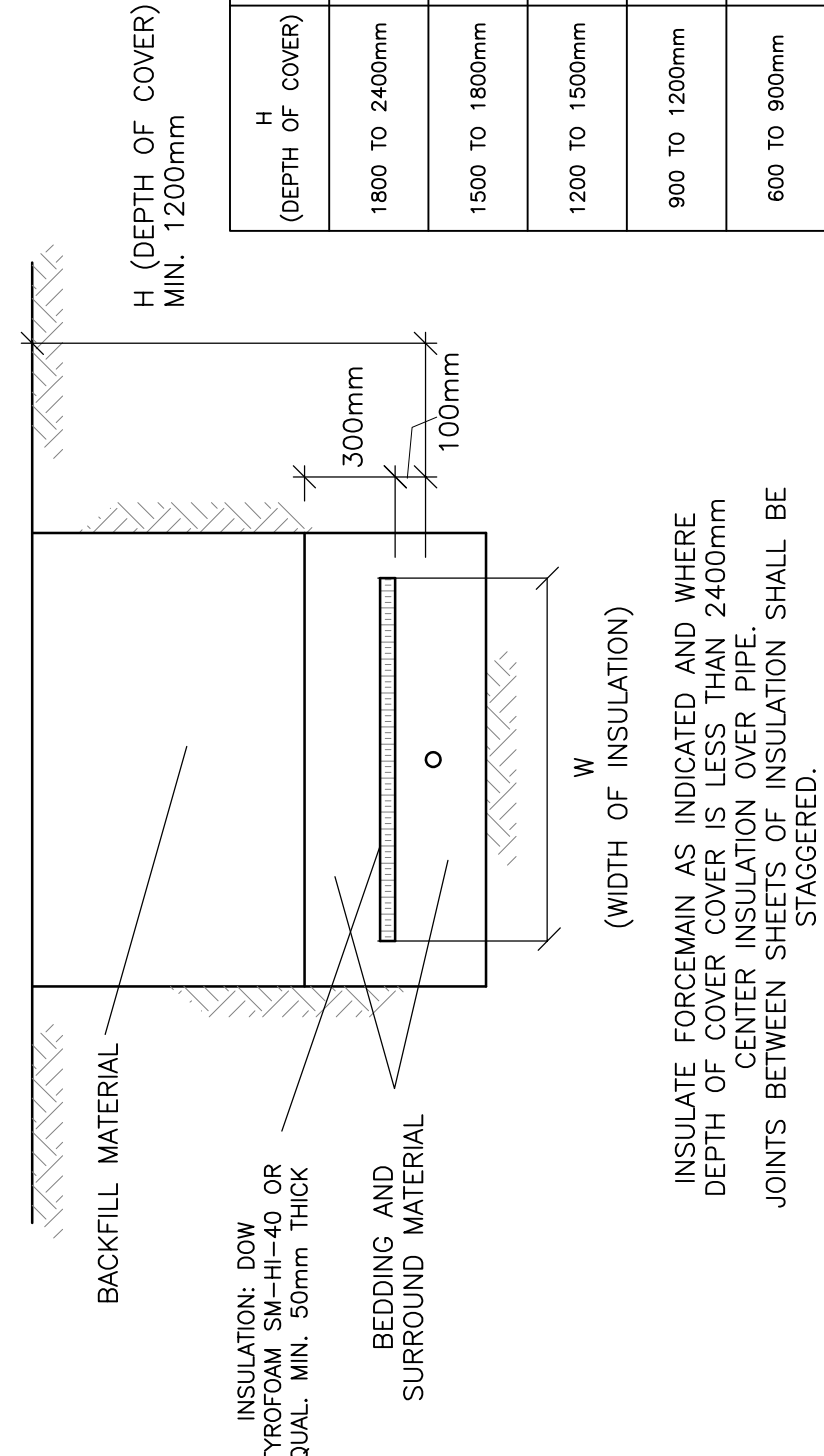


SECTION SWALE  
N.T.S.



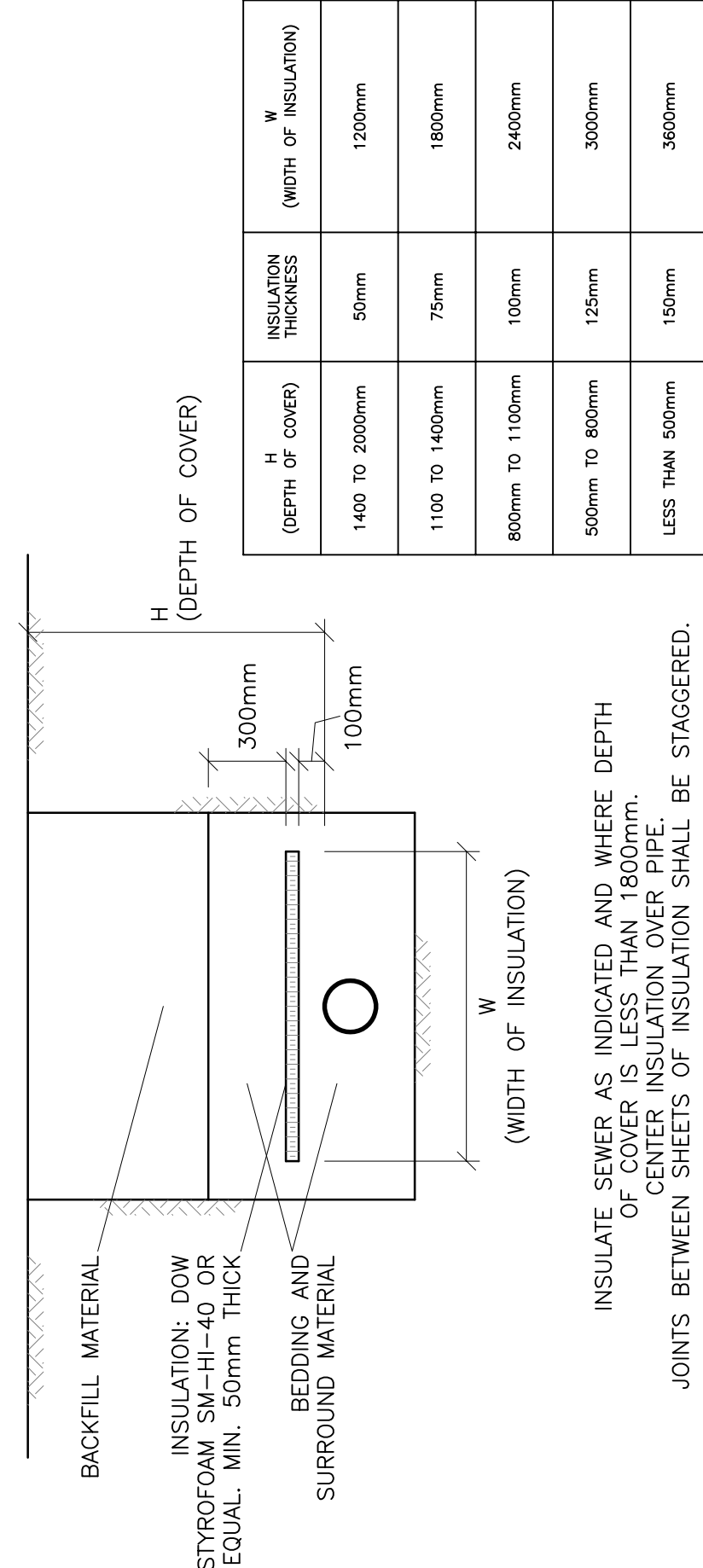
INSULATE SEWER AS INDICATED AND WHERE DEPTH OF COVER COVER IS LESS THAN 2400mm. CENTER INSULATION OVER PIPE. JOINTS BETWEEN SHEETS OF INSULATION SHALL BE STAGGERED.

INSULATION OF WELL WATER LINE  
SHALLOW TRENCHES  
N.T.S.



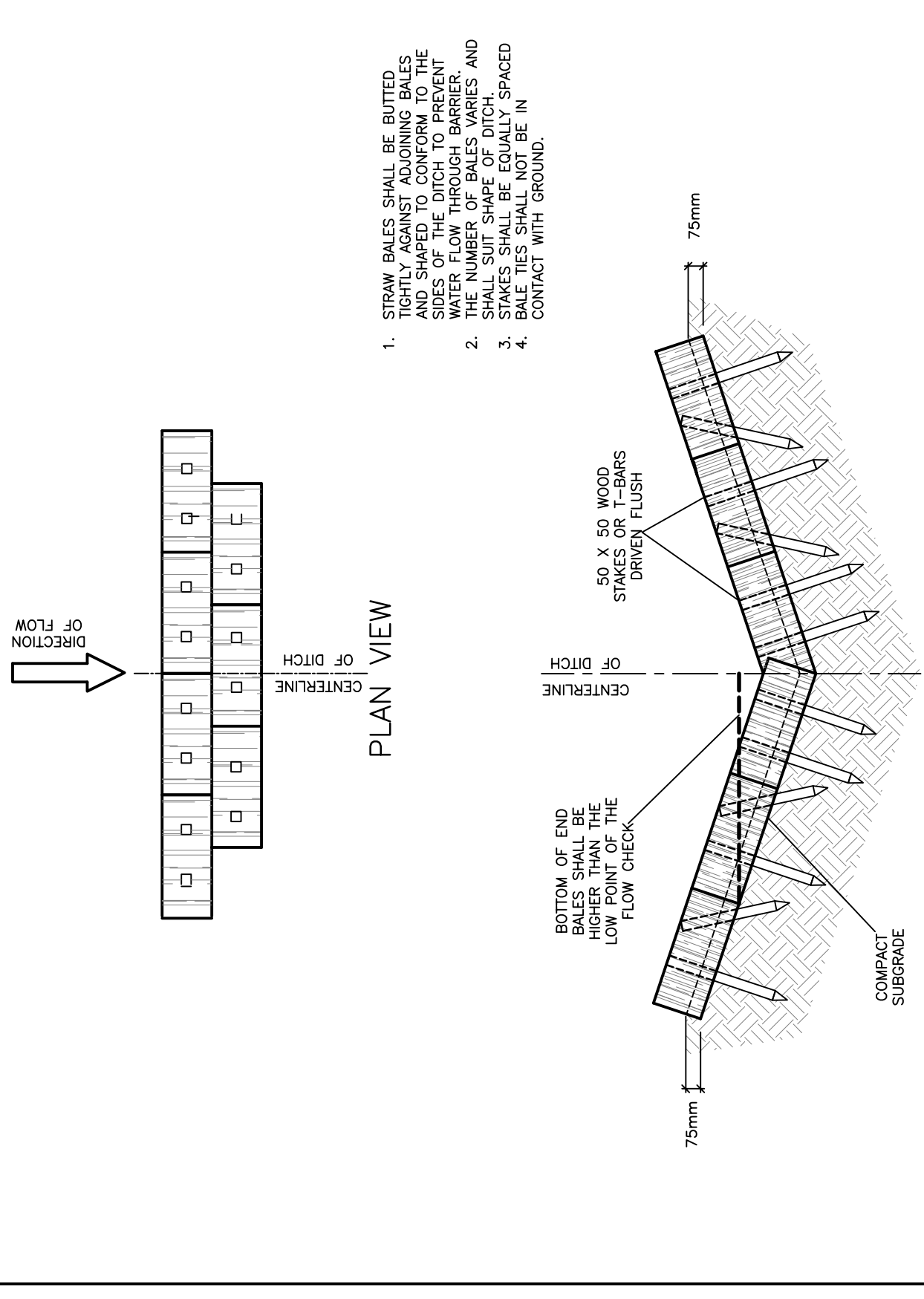
INSULATE FORCEMAIN AS INDICATED AND WHERE DEPTH OF COVER COVER IS LESS THAN 2400mm. CENTER INSULATION OVER PIPE. JOINTS BETWEEN SHEETS OF INSULATION SHALL BE STAGGERED.

INSULATION OF SANITARY  
FORCEMAIN IN SHALLOW TRENCHES  
N.T.S.

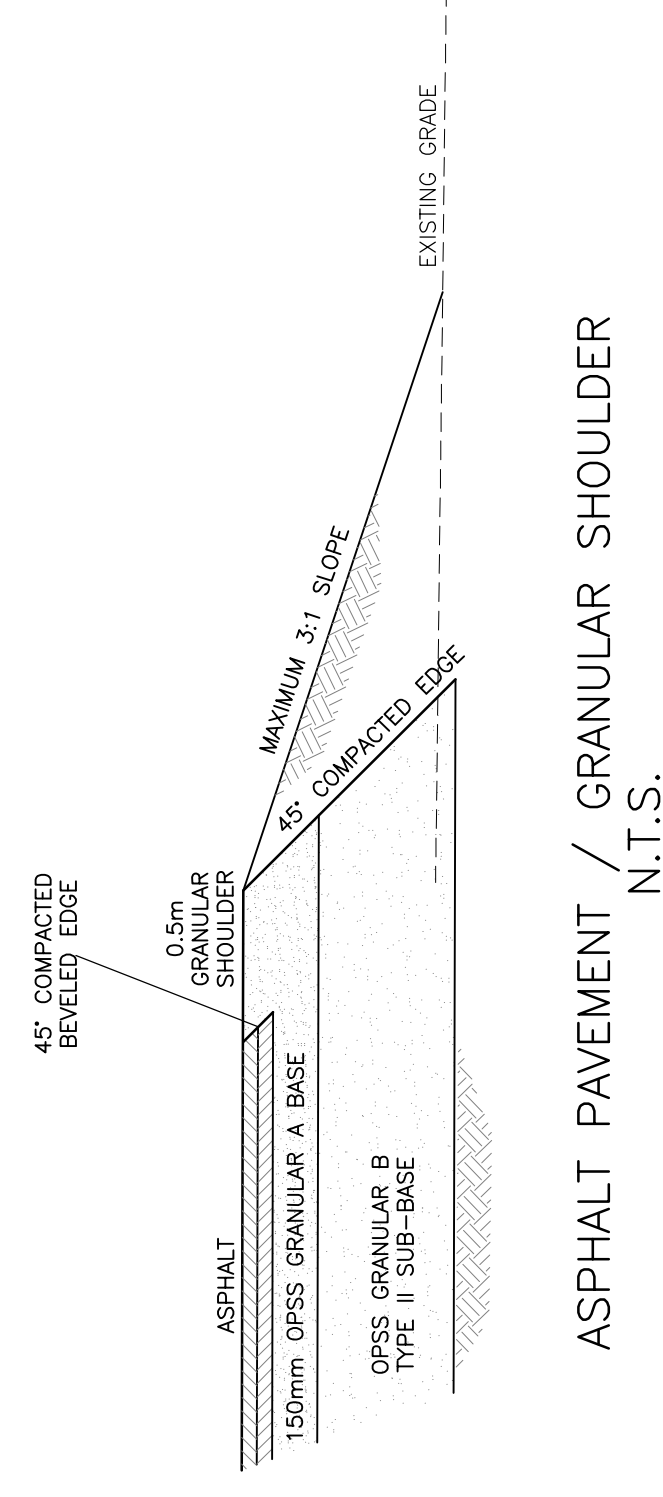


INSULATE SEWER AS INDICATED AND WHERE DEPTH OF COVER COVER IS LESS THAN 2400mm. CENTER INSULATION OVER PIPE. JOINTS BETWEEN SHEETS OF INSULATION SHALL BE STAGGERED.

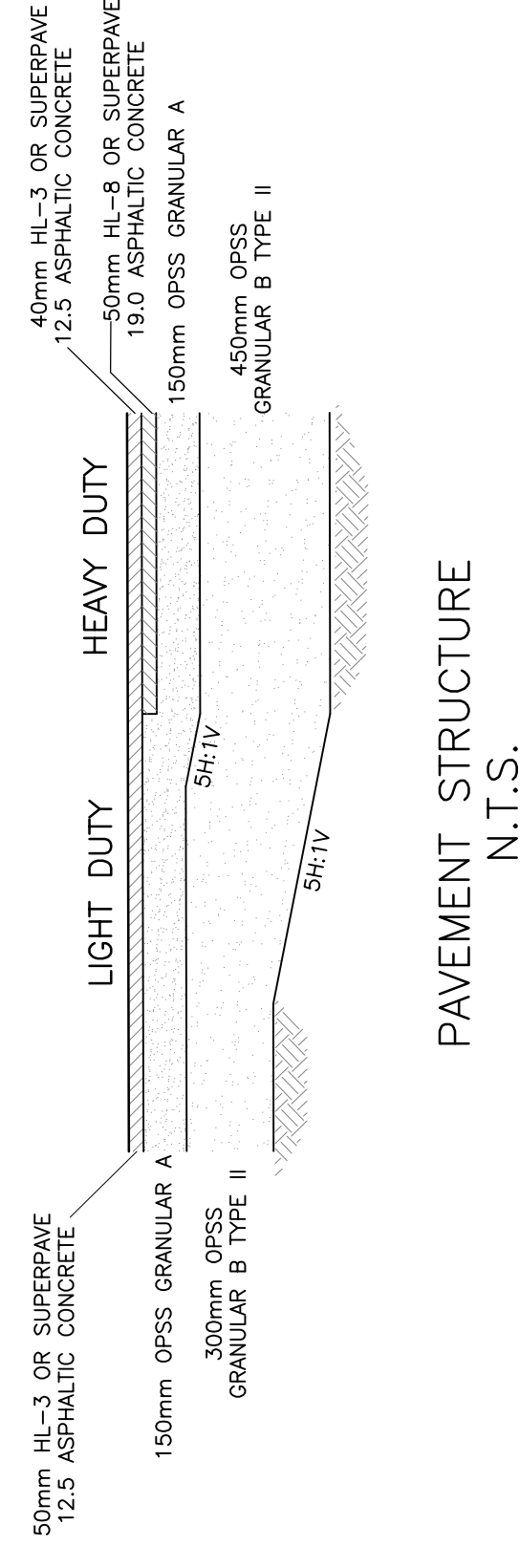
INSULATION OF SEWERS  
IN SHALLOW TRENCHES  
N.T.S.



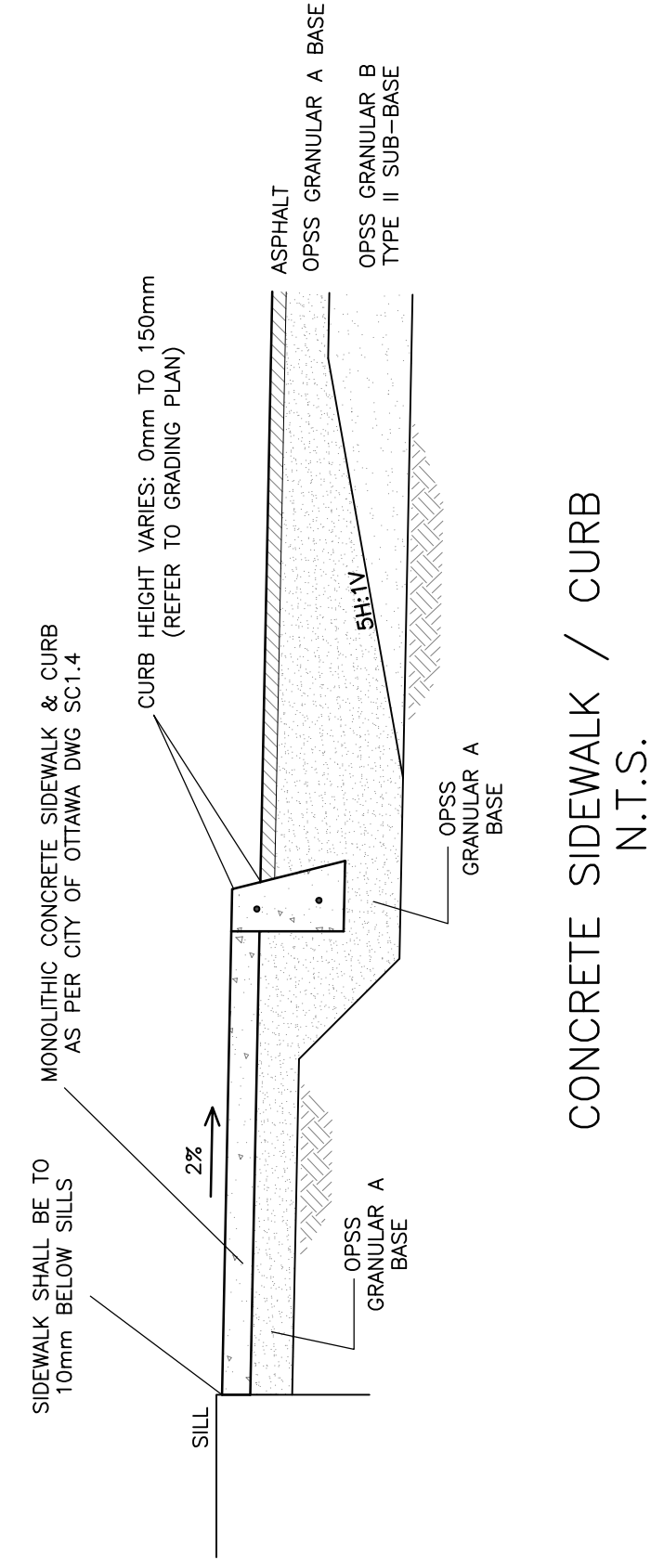
STRAW BALE FLOW  
CHECK DAM  
AS PER OPSD 219.180  
N.T.S.



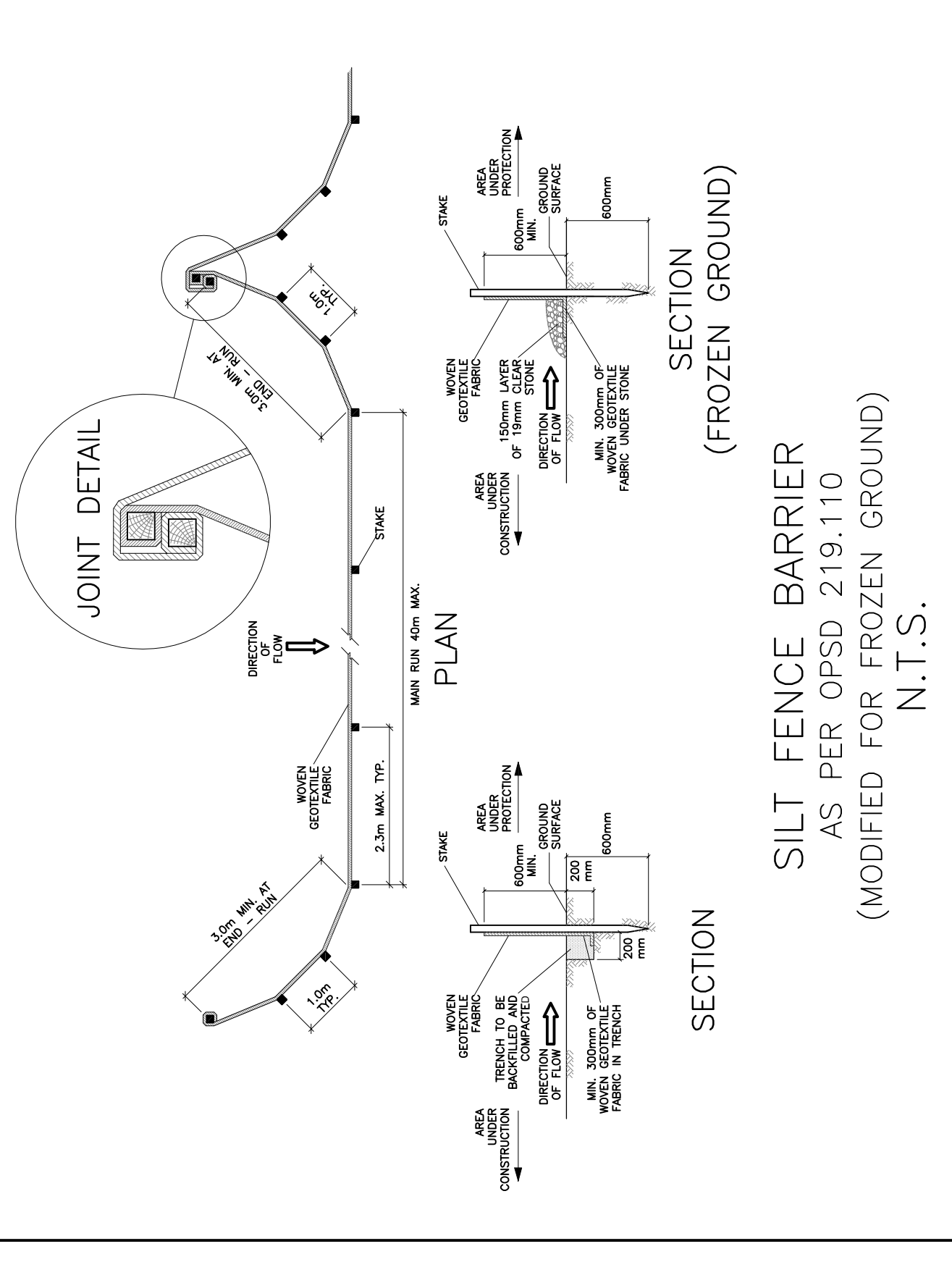
ASPHALT PAVEMENT / GRANULAR SHOULDER  
N.T.S.



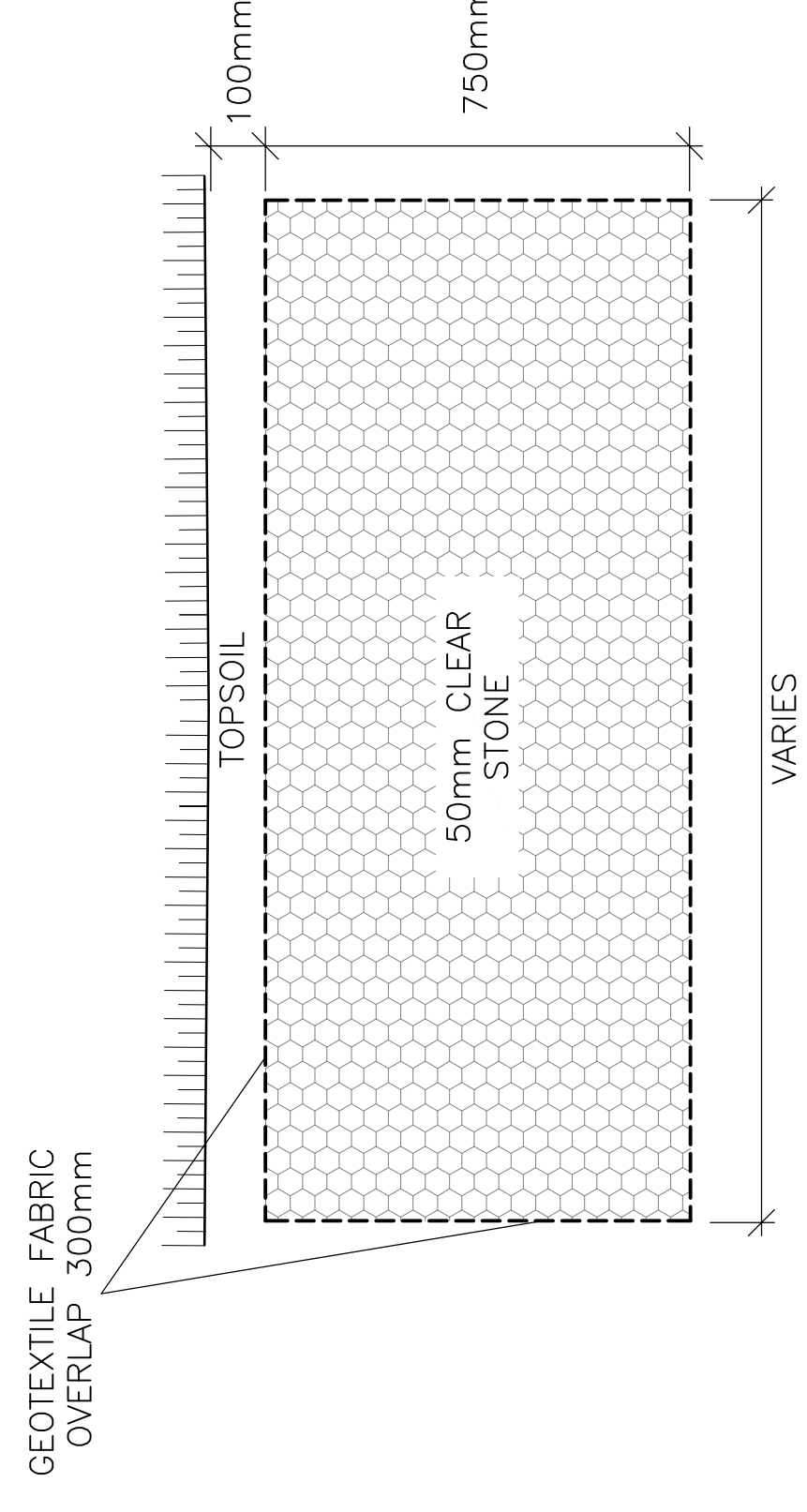
PAVEMENT STRUCTURE  
N.T.S.



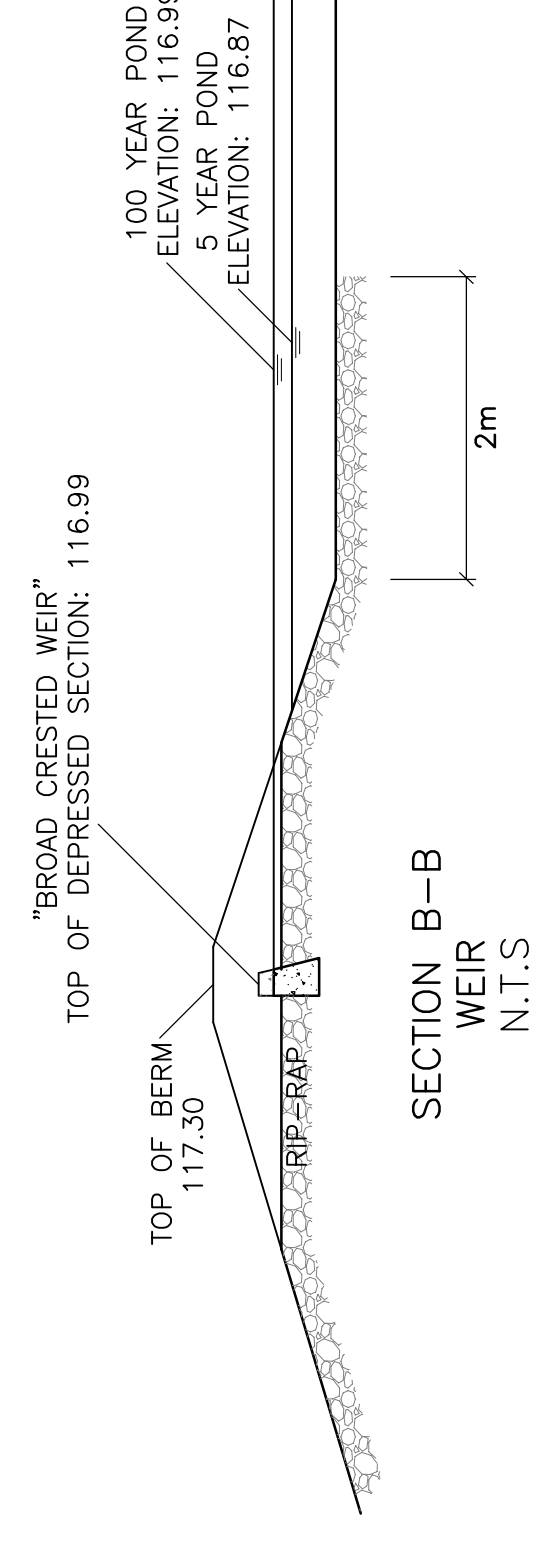
CONCRETE SIDEWALK / CURB  
N.T.S.



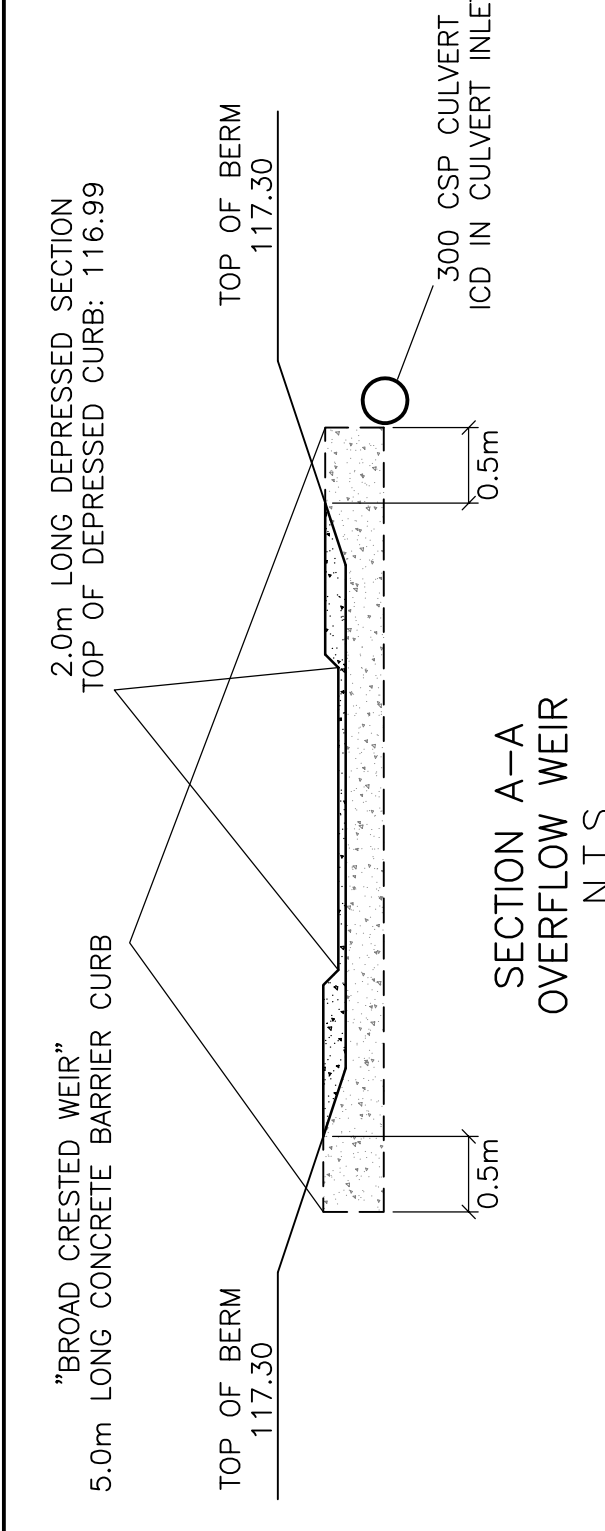
SILT FENCE BARRIER  
AS PER OPSD 219.110  
(MODIFIED FOR FROZEN GROUND)  
N.T.S.



INFILTRATION TRENCH  
(INSTALL AT THE END OF CONSTRUCTION)  
N.T.S.

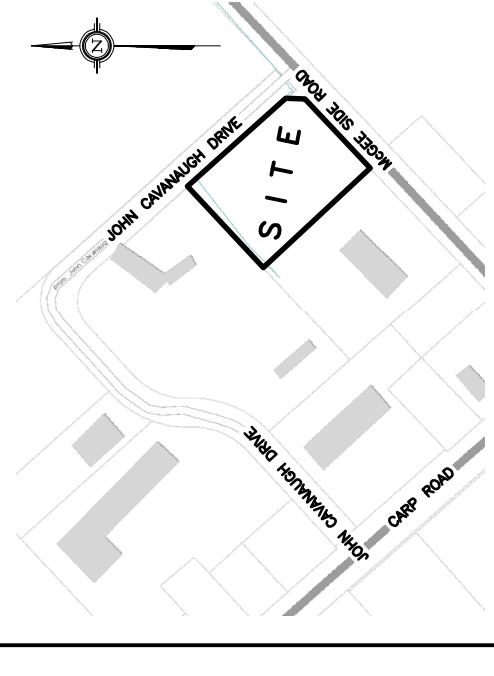


SECTION B-B  
WEIR  
N.T.S.



SECTION A-A  
OVERFLOW WEIR  
N.T.S.

KEY PLAN



No.	DATE	REVISION
1	JAN 27-21	ISSUED FOR REVIEW & COORDINATION

**D. B. GRAY ENGINEERING INC.**  
 Surveyor Management, Consulting & Engineering • Storm & Sanitary Sewers • Infrastructure  
 700 Long Point Circle  
 Ottawa, Ontario  
 4gray@dbgrayengineering.com  
 613-425-8044

**CLS ROOFING LTD**  
**OFFICE & WAREHOUSE**  
**2167 MCGEE SIDE ROAD**  
 OTTAWA, ONTARIO

**DETAILS**

Drawn	D.B.G.
Horz. Scale	1:250
Vert. Scale	18:20
Date	NOV 18-20
Job No.	20088

Engineer's Seal  
 Drawing No. **C-4**  
 of **5**