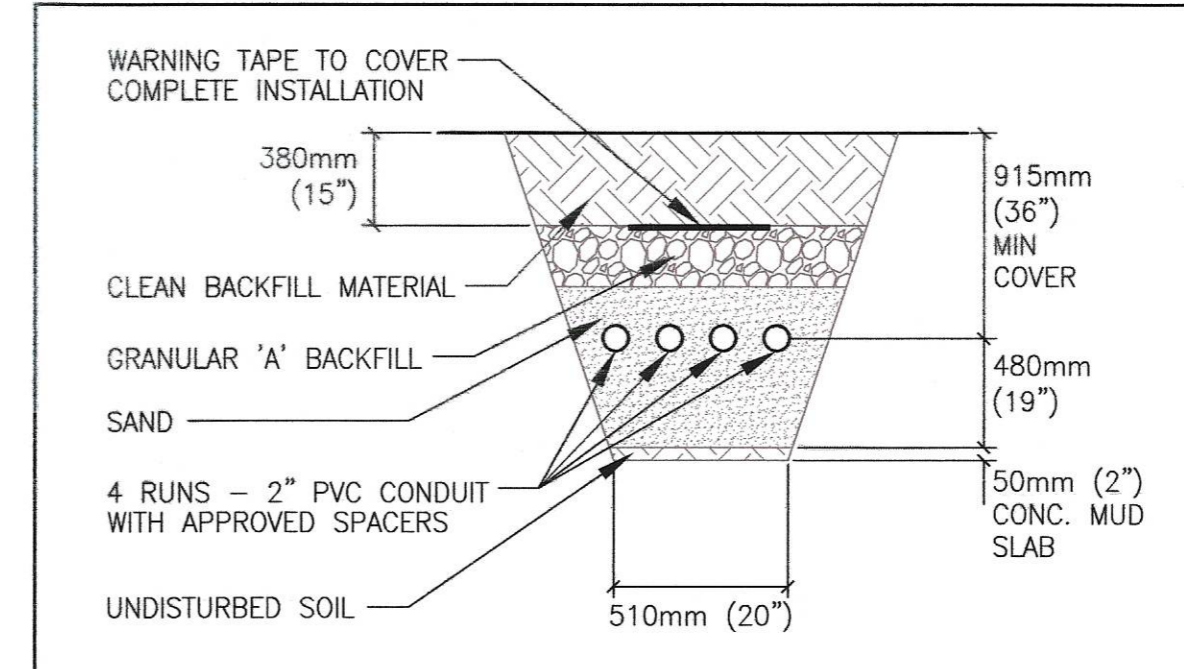


PARTIAL SITE PLAN

LIGHT FIXTURE SCHEDULE

UNIT	DESCRIPTION	NOM. DIM'N	LAMP	LENS	WATTS	MEAN LUMENS	VOLTAGE	NOTES
E1	EXTERIOR WALL LUMINAIRE	11.5" X 9"	LED	-	35	4412	120	LITHONIA LIGHTING-ARCHITECTURAL WALL SCONCE WEDGE2 LED P4 40K 80 CRI VF MVOLT DBLXD. MOUNTING HEIGHT : 4270



PVC DUCTS FOR FUTURE PHASES DETAIL-1
NTS

USE AND INTERPRETATION OF DRAWINGS:
DRAWINGS ARE NOT TO BE SCALED.

BY USE OF THE DRAWINGS FOR CONSTRUCTION OF THE PROJECT, THE OWNER REPRESENTS THAT HE HAS REVIEWED AND APPROVED THE DRAWINGS. THE CONTRACTOR REPRESENTS THAT HE HAS VISITED THE SITE, FAMILIARIZED HIMSELF WITH THE LOCAL CONDITIONS, VERIFIED FIELD DIMENSIONS AND CORRELATED HIS OBSERVATIONS WITH THE REQUIREMENTS OF THE CONTRACT DOCUMENTS.

THIS DRAWING ILLUSTRATES THE WORK TO BE DONE. THE ENGINEER IS NOT RESPONSIBLE FOR THE MEANS, METHODS, TECHNIQUES, SEQUENCES, AND PROCEDURES USED TO DO THE WORK OR THE SAFETY ASPECTS OF CONSTRUCTION, AND NOTHING ON THIS DRAWING EXPRESSED OR IMPLIED CHANGES THIS CONDITION. CONTRACTOR SHALL DETERMINE ALL CONDITIONS AT THE SITE AND SHALL BE RESPONSIBLE FOR KNOWING HOW THEY AFFECT THE WORK.

UNAUTHORIZED CHANGES:
IN THE EVENT THE CLIENT, THE CLIENTS CONTRACTORS OR SUBCONTRACTORS, OR ANYONE FOR WHOM THE CLIENT IS LEGALLY LIABLE MAKES OR PERMITS TO BE MADE ANY CHANGES TO ANY REPORTS, PLANS, SPECIFICATIONS OR OTHER CONSTRUCTION DOCUMENTS PREPARED BY EFI WITHOUT OBTAINING EFI'S PRIOR WRITTEN CONSENT, THE CLIENT SHALL ASSUME FULL RESPONSIBILITY FOR THE RESULTS OF SUCH CHANGES. THEREFORE THE CLIENT AGREES TO WAIVE ANY CLAIM AGAINST EFI AND TO RELEASE EFI FROM ANY LIABILITY ARISING DIRECTLY OR INDIRECTLY FROM SUCH CHANGES.

IN ADDITION, THE CLIENT AGREES, TO THE FULLEST EXTENT PERMITTED BY LAW, TO INDEMNIFY AND HOLD HARMLESS EFI FROM ANY DAMAGES, LIABILITIES OR COST, INCLUDING REASONABLE ATTORNEY'S FEES AND COST OF DEFENSE, ARISING FROM SUCH CHANGES.

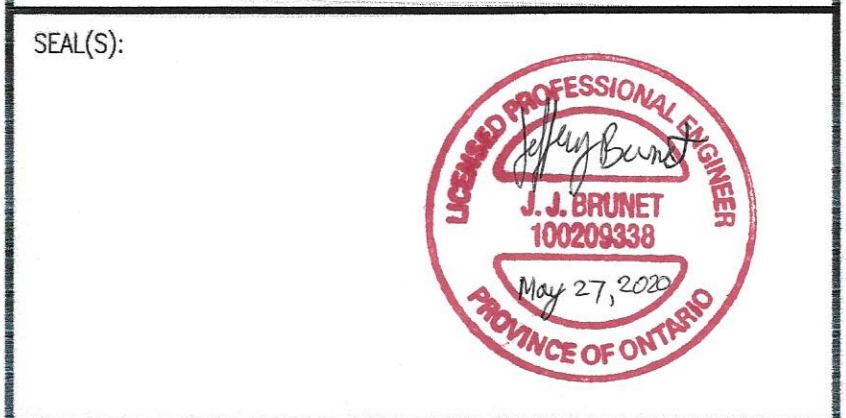
IN ADDITION, THE CLIENT AGREES TO INCLUDE IN ANY CONTRACTS FOR CONSTRUCTION APPROPRIATE LANGUAGE THAT PROHIBITS THE CONTRACTOR OR ANY SUBCONTRACTORS OF ANY TIER FROM MAKING ANY CHANGES OR MODIFICATIONS TO EFI'S CONSTRUCTION DOCUMENTS WITHOUT PRIOR WRITTEN APPROVAL OF EFI AND THAT FURTHER REQUIRES THE CONTRACTOR TO INDEMNIFY BOTH EFI AND THE CLIENT FROM ANY LIABILITY OR COST ARISING FROM SUCH CHANGES MADE WITHOUT SUCH PROPER AUTHORIZATION.

REFERENCES

NO. REF.	NO. DWG.	TITLE	BY
1	SP1	SITE PLAN	M.PERRY
2	6520E001	NOTES, LEGENDS & SCHEDULES	EFI

DATE	REV.	REVISIONS	BY	APP'D
2020/05/25	1	GENERAL REVISIONS	KW	GC

DRAWING ISSUED FOR:
DATE: 2020 MAY 26
 CLIENT REVIEW BID/TENDER CONSTRUCTION
 INFORMATION PERMIT OTHER



UNAUTHORIZED USE OF DATA, DISCLOSURE OF TECHNICAL INFORMATION CONTAINED HEREIN, OR REPRODUCTION OF THIS DOCUMENT IN WHOLE OR IN PART FOR USE BY THIRD PARTIES IS PROHIBITED WITHOUT PRIOR WRITTEN PERMISSION FROM LOWE, GRANVILLE & ASSOCIATES INC.

EFI Engineering
34 SOUTH BRANCH ROAD
CORNWALL ON K6K 1T4
T: (613) 936-0148
F: (613) 936-8451
engineer@engineeringforindustry.com
www.engineeringforindustry.com

ARCHITECT:
DEIMLING
ARCHITECTURE & INTERIOR DESIGN

CLIENT:
BBS CONSTRUCTION (Ontario) LTD.

SITE: WALL SOUND LIGHTING STAGING
210 MAPLE CREEK CT, OTTAWA, ON

TITLE: MAPLE CREEK WAREHOUSE PHASE 1
SITE PLAN AND TRENCH DETAILS

SCALE: 1:500
DATE: 2020/01/31
DRAWN: A.B.
CHECKED: A.G.

PROJECT NO: 6520
DRAWING NO: E101
REVISION: 1

6520E101-1