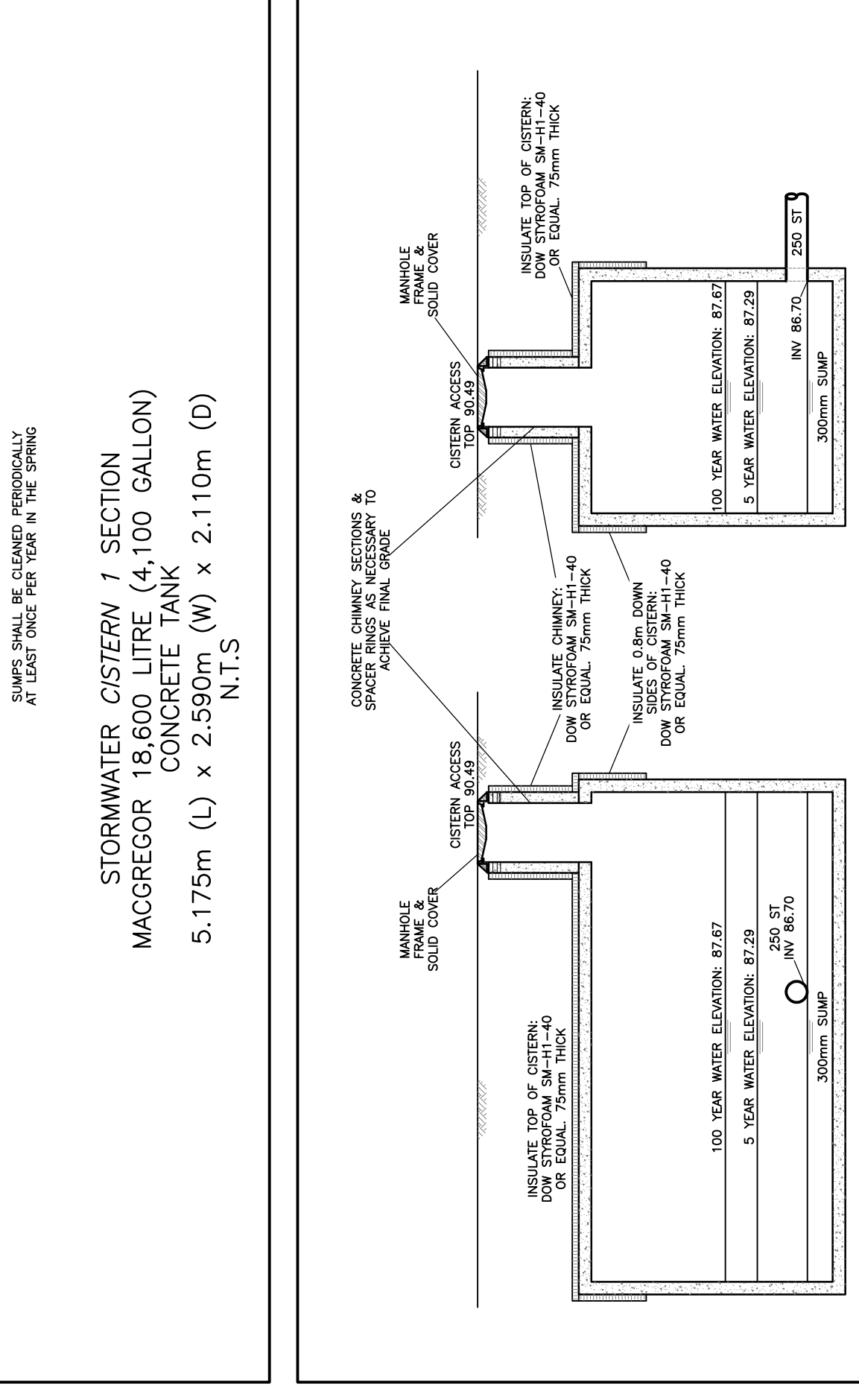
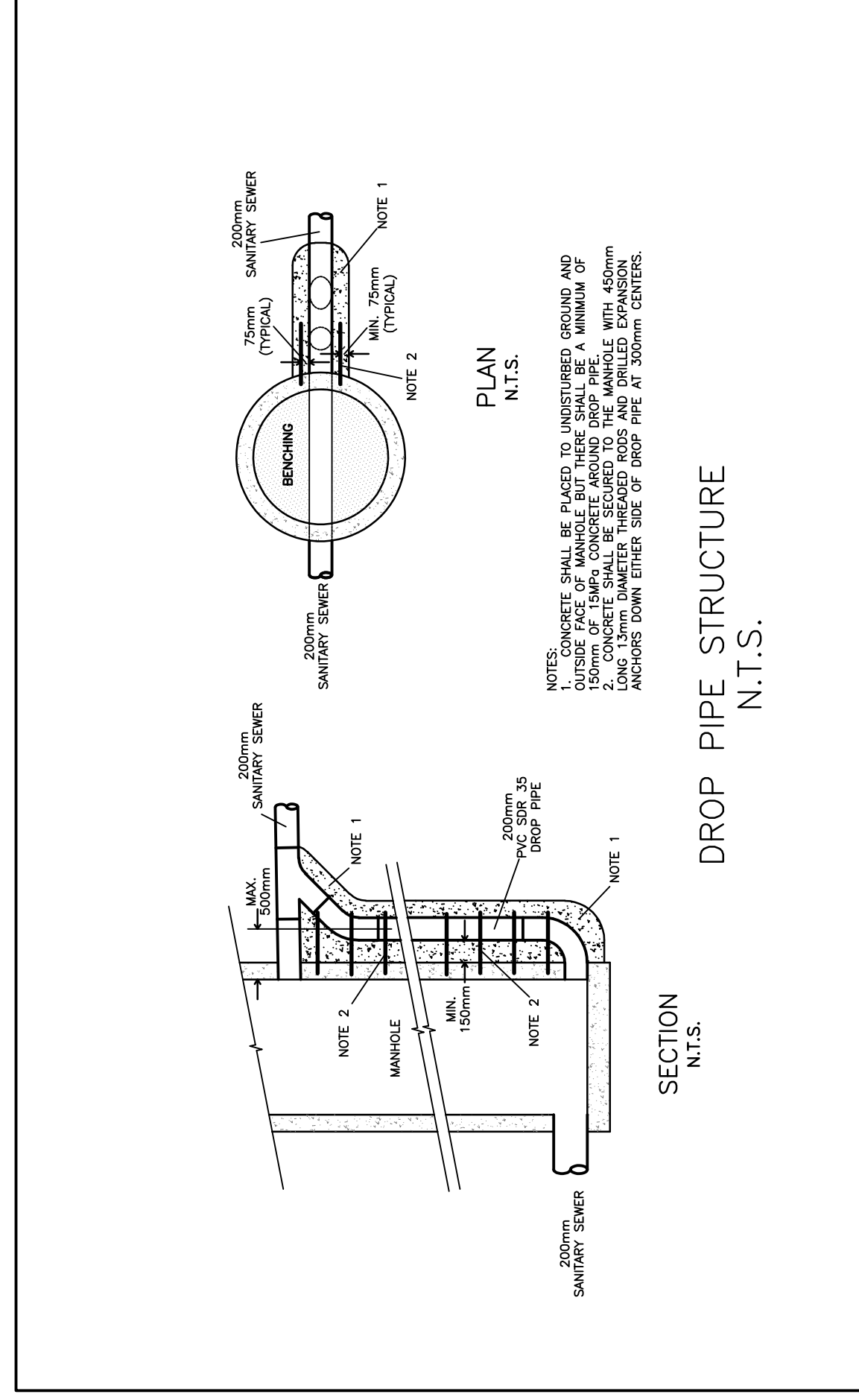
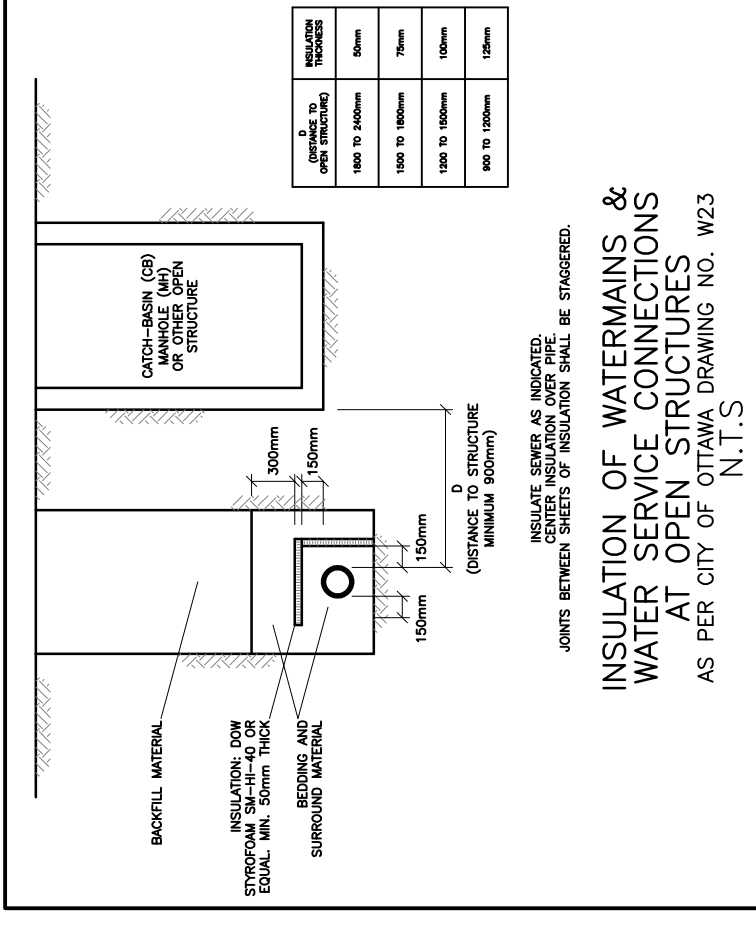
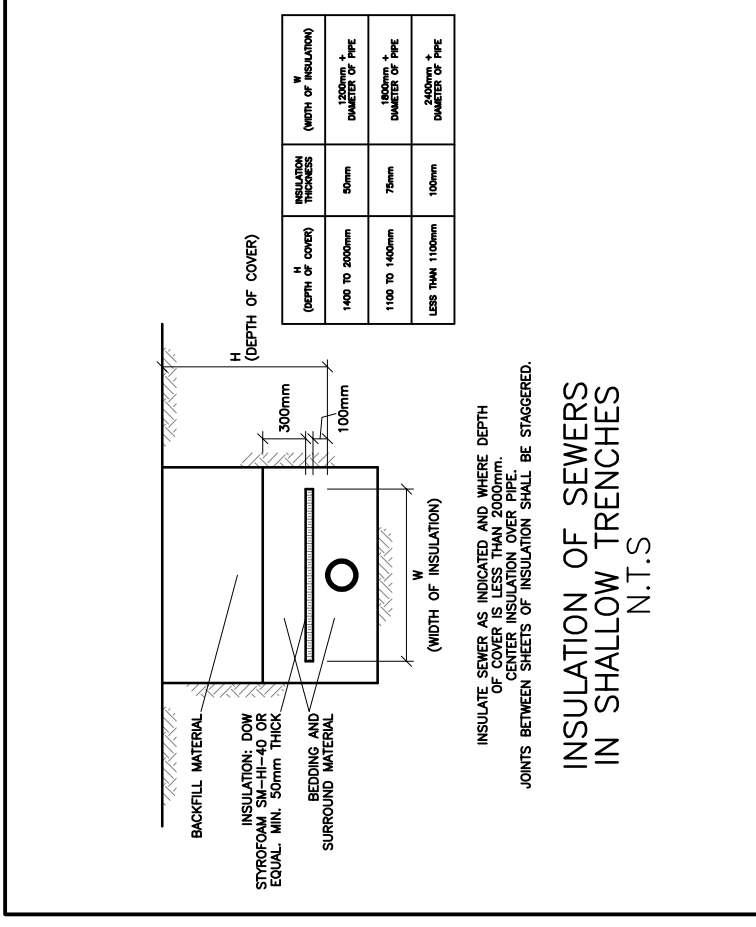
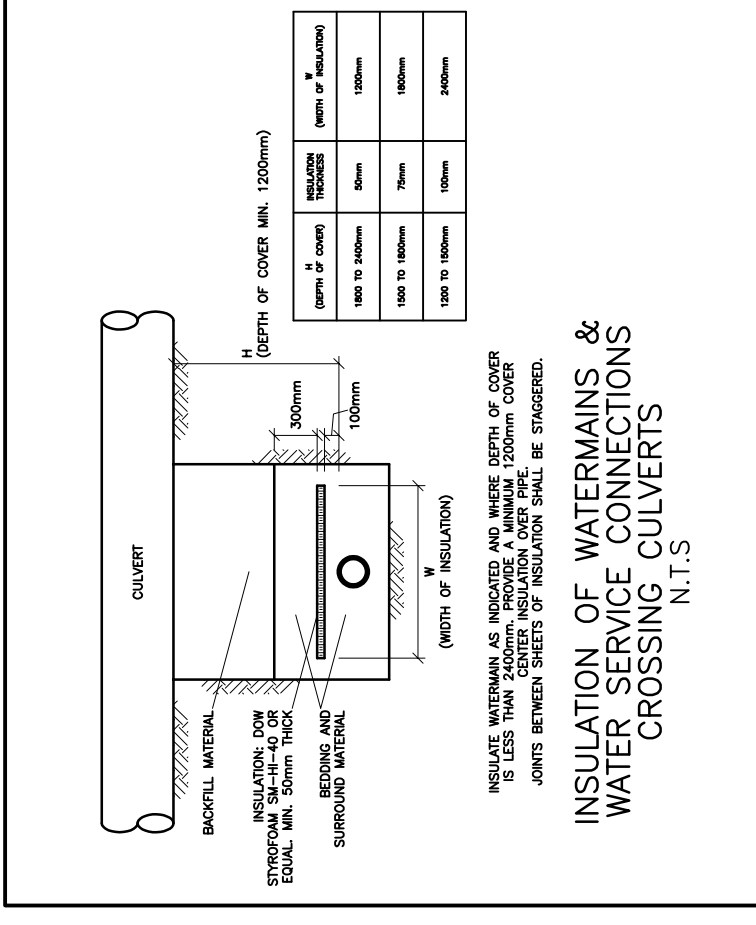
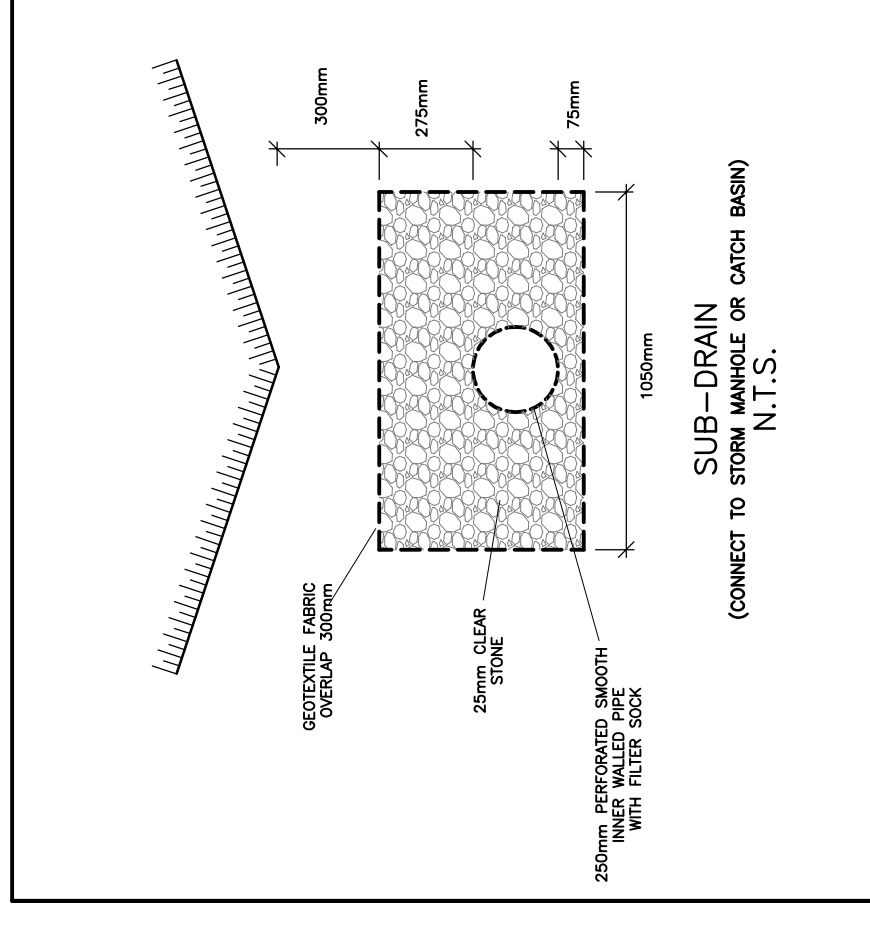
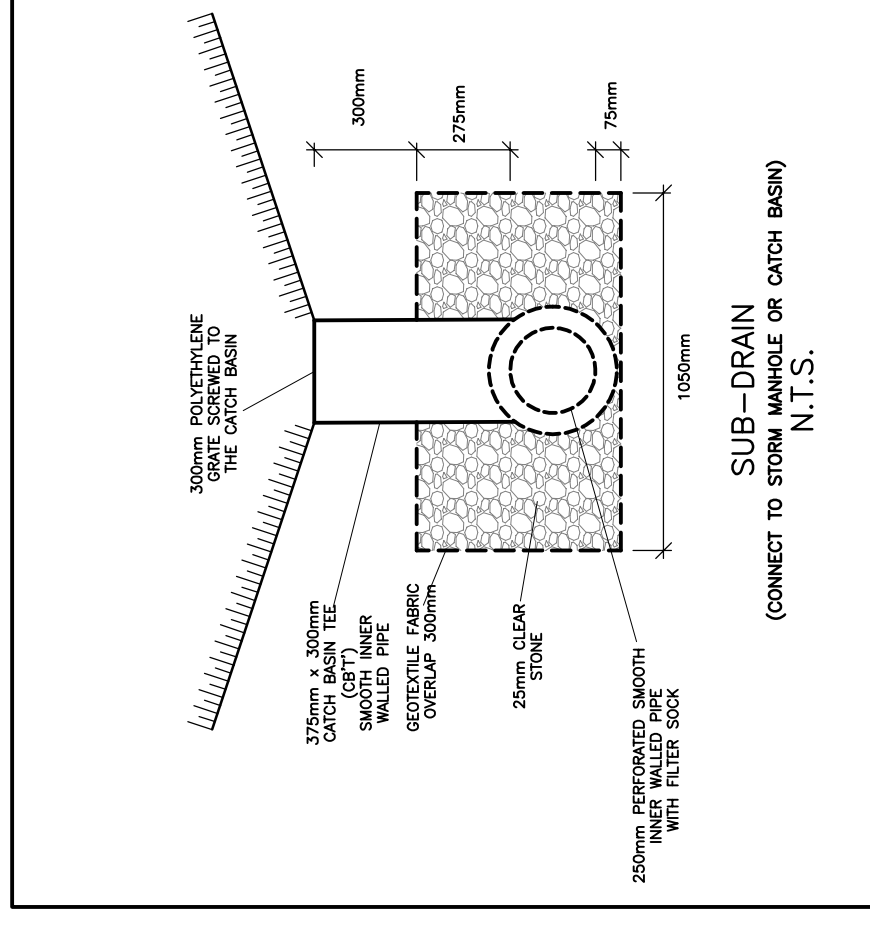
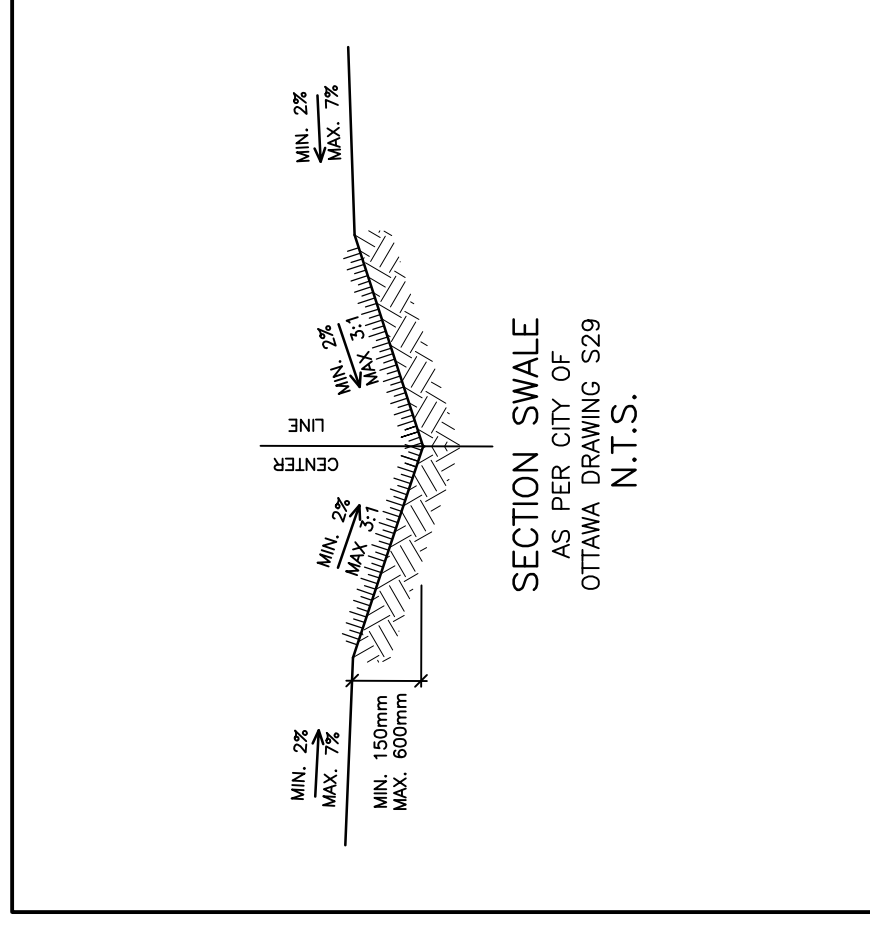


OWNER:  
 NIVO DEVELOPMENTS INC.  
 255 MICHAEL COMPLAND DRIVE  
 OTTAWA, ONTARIO, K2M 0M5  
 613-224-6200



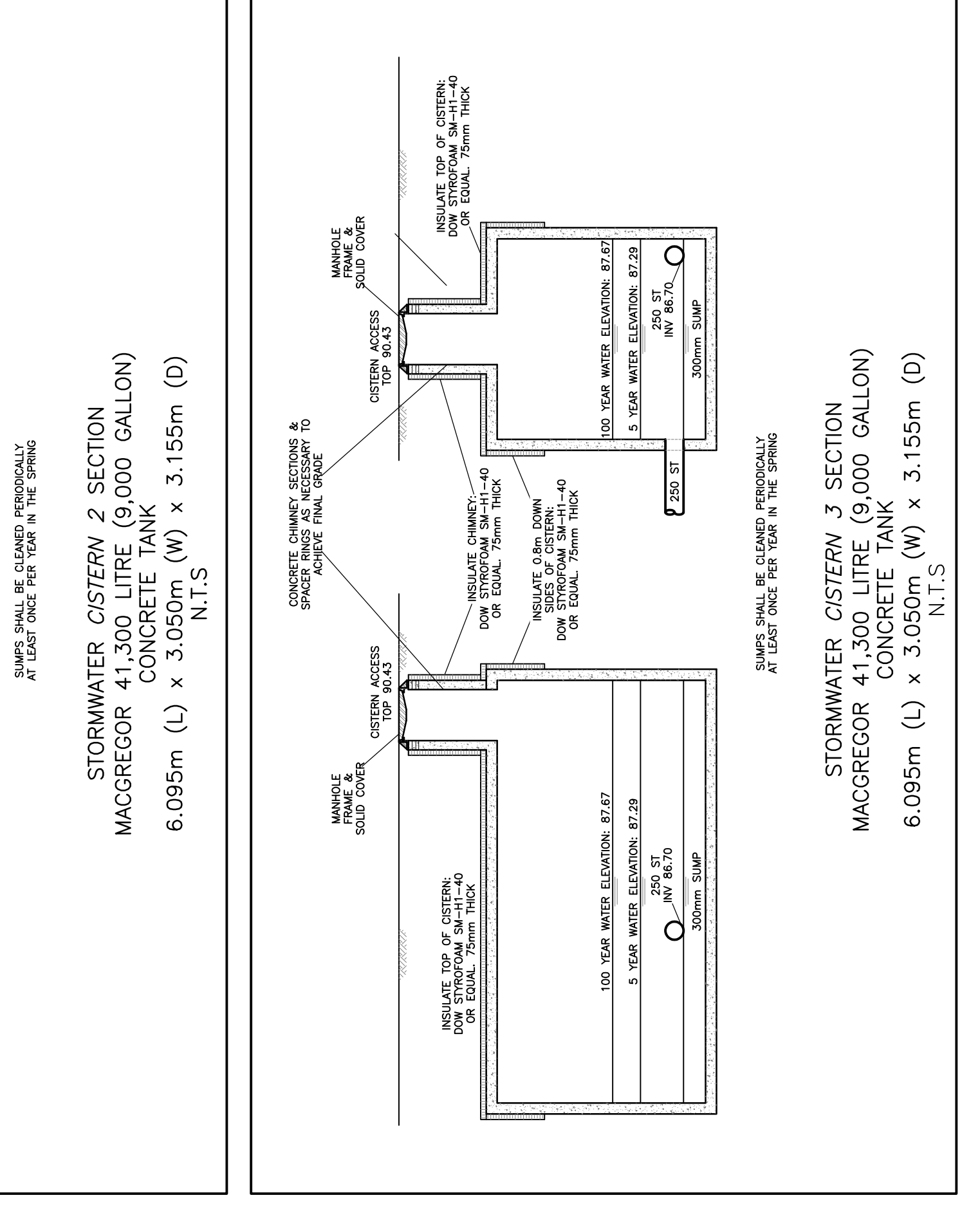
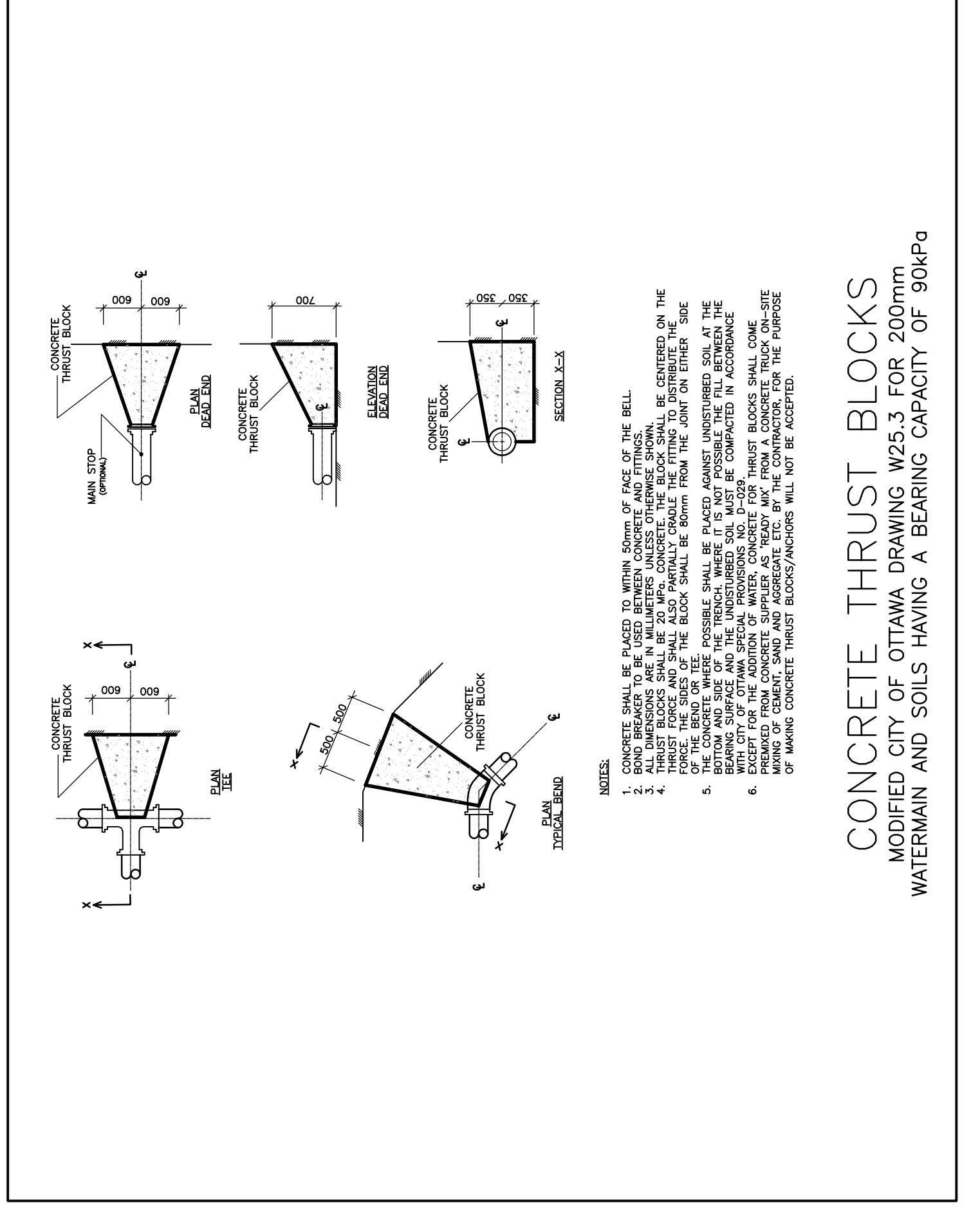
No.	DATE	REVISION
1	JUN 14-19	PRELIMINARY
2	AUG 9-19	ISSUED FOR APPROVAL
3	SEP 27-19	RE-ISSUED FOR APPROVAL
4	MAY 5-20	ISSUED FOR COORDINATION
5	JUN 18-20	RE-ISSUED FOR APPROVAL
6	NOV 16-20	RE-ISSUED FOR APPROVAL

D. B. GRAY ENGINEERING INC.  
 700 Long Point Circle  
 Ottawa, Ontario  
 4gray@dbgrayengineering.com  
 613-425-8044

PROPOSED  
 RESIDENTIAL DEVELOPMENT  
 1164-1166 HIGHCROFT DR.  
 MANOTICK, ONTARIO

DETAILS  
 Drawing Title

Engineer's Seal  
 D.B. GRAY  
 17018522  
 (Nov 19-20)  
 PROFESSIONAL ENGINEER  
 CIVIL  
 ONTARIO  
 Drawing No. C-7  
 of 11  
 NOT VALID UNLESS SIGNED & DATED



D. B. GRAY ENGINEERING INC.  
 700 Long Point Circle  
 Ottawa, Ontario  
 4gray@dbgrayengineering.com  
 613-425-8044

PROPOSED  
 RESIDENTIAL DEVELOPMENT  
 1164-1166 HIGHCROFT DR.  
 MANOTICK, ONTARIO

DETAILS  
 Drawing Title

Engineer's Seal  
 D.B. GRAY  
 17018522  
 (Nov 19-20)  
 PROFESSIONAL ENGINEER  
 CIVIL  
 ONTARIO  
 Drawing No. C-7  
 of 11  
 NOT VALID UNLESS SIGNED & DATED

