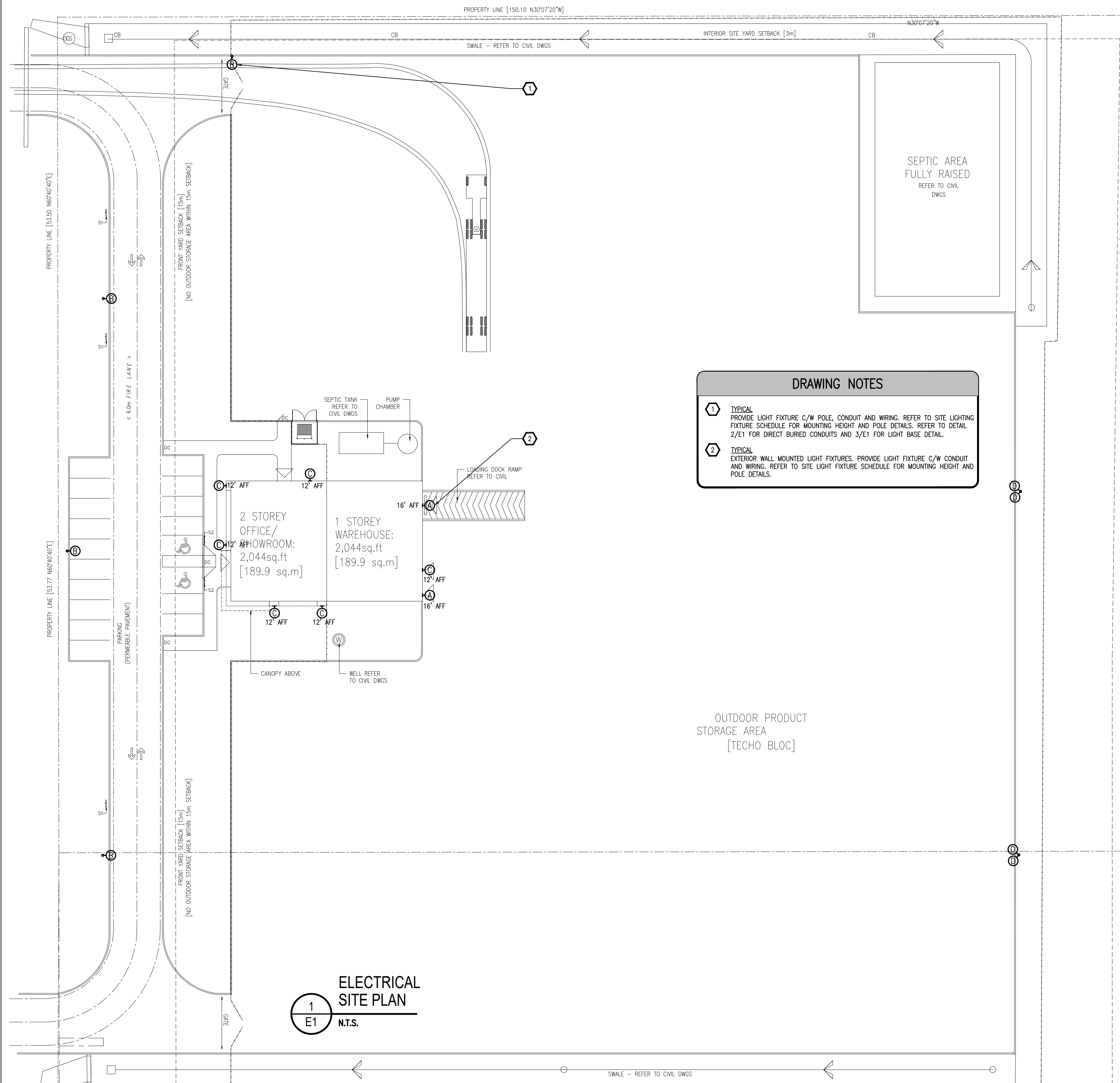


TECHO BLOC DEVELOPMENT - ELECTRICAL - SITE PLAN



DRAWING NOTES

1. TYPICAL PROVIDE LIGHT FIXTURE C/W POLE, CONDUIT AND WIRING. REFER TO SITE LIGHTING FIXTURE SCHEDULE FOR MOUNTING HEIGHT AND POLE DETAILS. REFER TO DETAIL 2/E1 FOR DIRECT BURIED CONDUITS AND 3/E1 FOR LIGHT BASE DETAIL.

2. TYPICAL EXTERIOR WALL MOUNTED LIGHT FIXTURES. PROVIDE LIGHT FIXTURE C/W CONDUIT AND WIRING. REFER TO SITE LIGHTING FIXTURE SCHEDULE FOR MOUNTING HEIGHT AND POLE DETAILS.

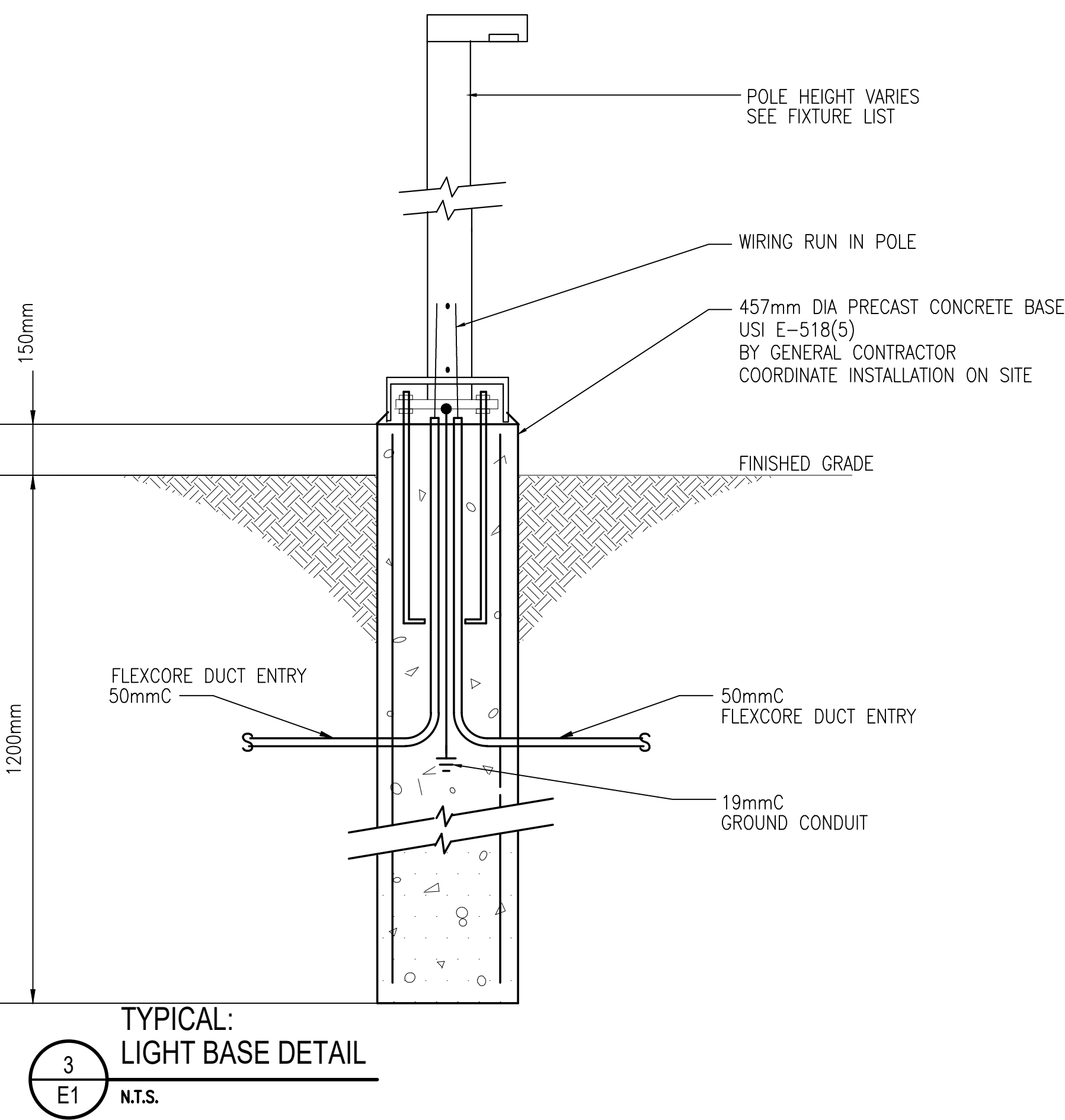
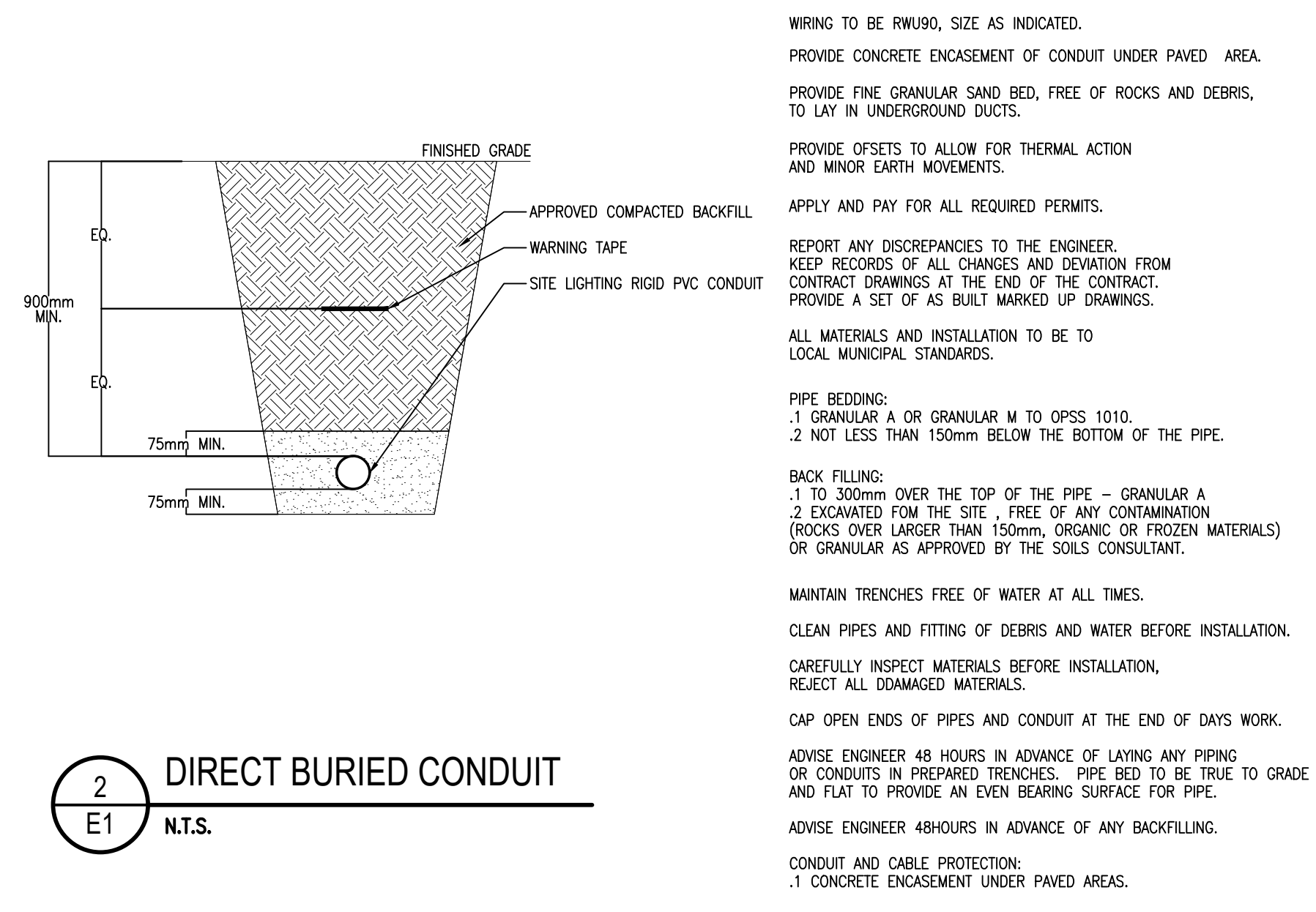
1
E1
N.T.S.

SITE PLAN LEGEND

SYMBOL	DESCRIPTION
(Symbol)	WALL MOUNTED LIGHT FIXTURE - TYPE AS SHOWN
(Symbol)	EXTERIOR POLE MOUNTED LIGHT FIXTURE - TYPE AS SHOWN

DRAWING LIST

DESSIN / DWG	DESCRIPTION
E1	ELECTRICAL SITE PLAN, DRAWING LEGEND AND DETAILS



SITE LIGHTING FIXTURE SCHEDULE

TYPE	DESCRIPTION	CATALOG NUMBER	LAMPS PER FIXTURE			VOLT	MOUNTING	REMARKS
			QTY	TYPE	WATTS			
A	EXTERIOR WALL MOUNTED FIXTURE #	PRV-P418-740-U-14W-HSS # LUMARK - COOPER #	-	LED	74	4000K	120V	POLE MOUNTING HEIGHT: AS SHOWN ON PLAN PROVIDE FIXTURE C/W ALL REQUIRED ACCESSORIES.
B	POLE MOUNTED FIXTURE #	NFL-D-L-C100-D-UNV-66 # LUMARK - COOPER #	-	LED	252	4000K	120V	WALL PROVIDE FIXTURE C/W 5" SQUARE 23" POLE AND ALL REQUIRED ACCESSORIES.
C	EXTERIOR WALL MOUNTED FIXTURE #	GWC-AF-01-LED-E1-14FT-800 # GALLEON - MCGRAW-EDISON #	-	LED	44	4000K	120V	POLE MOUNTING HEIGHT: AS SHOWN ON PLAN PROVIDE FIXTURE C/W ALL REQUIRED ACCESSORIES.
D	POLE MOUNTED FIXTURE #	NFL-D-L-C100-D-UNV-66 # LUMARK - COOPER #	-	LED	252	4000K	120V	WALL PROVIDE FIXTURE C/W 5" SQUARE 30" POLE, BULL-HORN POSITIONING AND ALL REQUIRED ACCESSORIES.

NOTES:
1. ALTERNATE FIXTURES EQUAL IN PHOTOMETRIC AND AESTHETICS ARE ACCEPTABLE.

Client

DATE	REVISION	REF
2020-10-08	ISSUED FOR SPC	0

THE ENGINEER WAIVES ANY AND ALL RESPONSIBILITY AND LIABILITY FOR PROBLEMS WHICH ARISE FROM FAILURE TO FOLLOW THESE PLANS, SPECIFICATIONS AND THE DESIGN INTENT THEY CONVEY, OR FOR PROBLEMS WHICH ARISE FROM OTHER FAILURE TO OBTAIN AND / OR FOLLOW THE ENGINEER'S GUIDANCE WITH RESPECT TO ANY ERRORS, OMISSIONS, INCONSISTENCIES, AMBIGUITIES OR CONFLICTS WHICH ARE ALLEGED.
 THIS DRAWING IS THE PROPERTY OF GOODKEY WEEDMARK & ASSOCIATES LIMITED AND ALL COPYRIGHTS ARE RESERVED. NO USE OF THIS DRAWING MAY BE MADE WITHOUT EXPRESS WRITTEN CONSENT.
 DO NOT SCALE DRAWINGS
 L'INGÉNIEUR DÉCLINE TOUTE RESPONSABILITÉ DÉCOULANT DE PROBLÈMES FAISANT SUITE AU NON RESPECT DES PLANS, DES SPÉCIFICATIONS ET DE L'INTENTION DU CONCEPTEUR. OÙ IL Y AIT DES PROBLÈMES POUVAIENT RÉSULTER DU DÉFAUT D'OBTENIR ET / OU DE SUIVRE LES CONSEILS DE L'INGÉNIEUR EN CE QUI CONCERNE LES ERREURS, OMISSIONS, INCONSISTENCES, AMBIGUITÉS OU CONFLITS ALLEGUÉS.
 CE DESSIN EST LA PROPRIÉTÉ LITTÉRAIRE & ASSOCIATES LIMITED ET TOUTS LES DROITS SONT RÉSERVÉS. L'UTILISATION EST INTERDITE SANS LE CONSENTEMENT ÉCRIT DE L'AUTEUR.
 NE PAS MESURER LES DESSINS À L'ÉCHELLE

Goodkey Weedmark Consulting Engineers
 GOODKEY WEEDMARK & ASSOCIATES LIMITED
 1688 Woodward Dr. Ottawa Ontario Canada K2C 3R8
 613 727-5111 Voice 613 727-5115 Fax www.gweal.com Web

Project/north Nord du projet
 Seal/Scellu

Project/Projet
TECHO-BLOC DEVELOPMENT HAWTHORNE ROAD OTTAWA, ON

Drawing title/Titre du dessin
ELECTRICAL SITE PLAN, DRAWING LEGEND AND DETAILS

Scale Échelle	AS NOTED	Project no./No. du projet 2020-412
Design by Conçu par	M.E.	Drawing/Dessein
Drawn by Dessiné par	M.E.	E1
Reviewed by Examiné par	D.V.	
Date Date	OCTOBER 2020	Revision no: Acad file/Fichier: OF 1