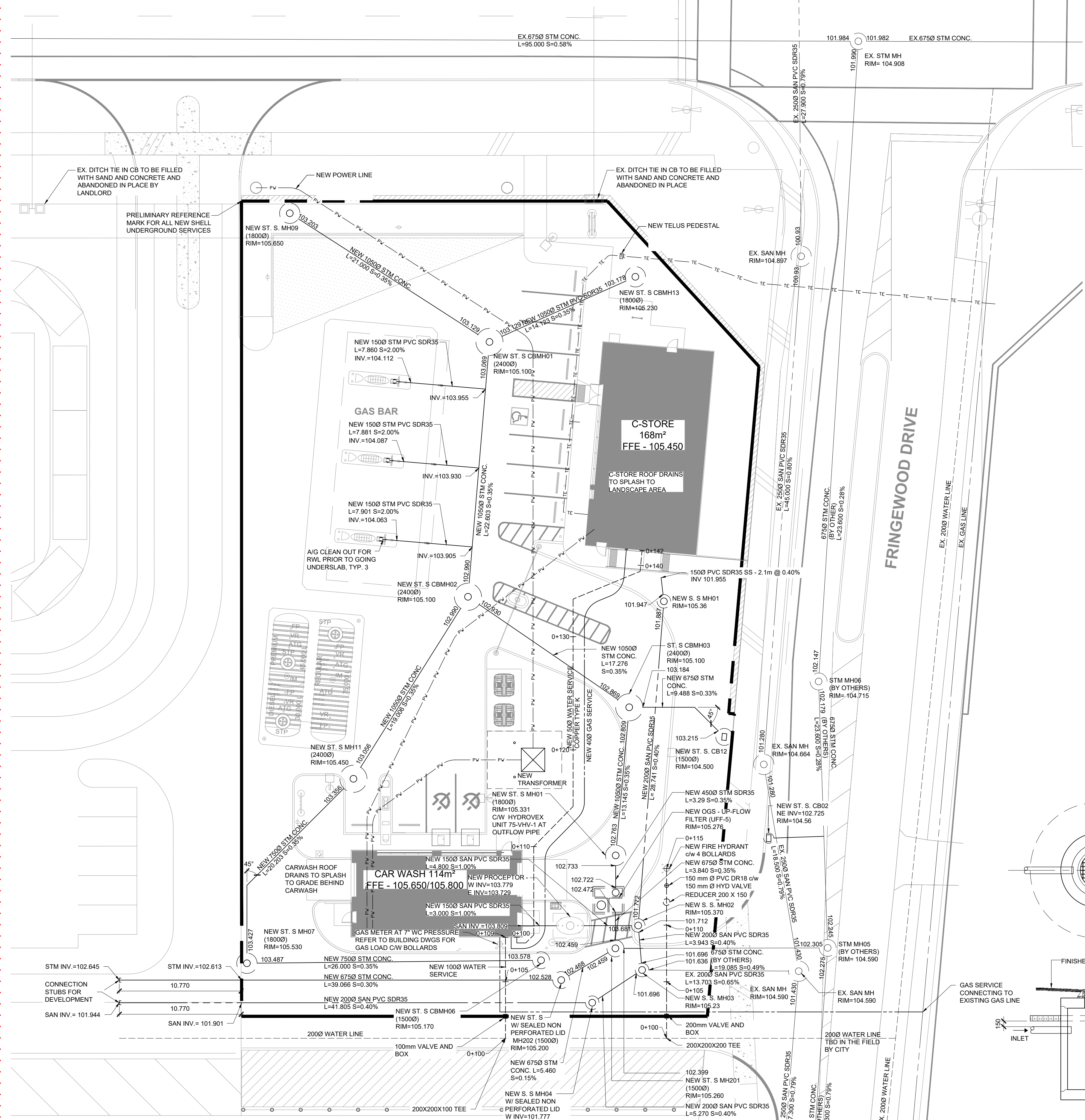
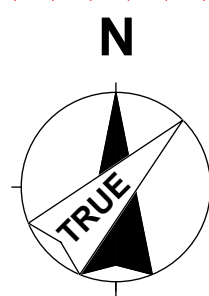


HAZELDEAN ROAD



NOTES

1. FOR GENERAL NOTES SEE DRAWING C001.0

LEGEND

MANHOLE	MH
CATCH BASIN MANHOLE	CBMH
CATCH BASIN	CB
OIL/GRIT SEPARATOR	OGS
STORM SEWER	ST. S.
SANITARY SEWER	S. S.
NEW TELECOM	TE
NEW POWER LINE	PW
NEW WATER LINE	W
EXISTING WATER LINE	---
NEW STORM LINE	---
EXISTING STORM LINE	---
NEW SANITARY LINE	---
EXISTING SANITARY LINE	---
NEW GAS LINE	---
EXISTING GAS LINE	---
GAS METER	+
WATER VALVE	■

SERVICE LOCATIONS

ITEMS	SOUTH	EAST
OGS-UJ7	61.783	32.440
ST. S. MH201	66.042	33.049
ST. S. MH202	68.843	28.262
ST. S. MH01	57.826	33.074
ST. S. MH07	67.318	0.478
ST. S. MH09	1.075	4.264
ST. S. MH11	51.055	9.893
ST. S. CBMH01	12.448	21.918
ST. S. CBMH02	34.971	20.085
ST. S. CBMH03	44.695	34.270
ST. S. CBMH06	67.094	26.476
ST. S. CBMH13	6.691	34.815
ST. S. CB12	47.314	42.673
PROCEPTOR	64.035	29.120
S. S. MH01	35.369	37.335
S. S. MH02	64.021	35.069
S. S. MH03	67.950	35.408
S. S. MH04	70.803	31.002

ALL NEW UNDERGROUND SERVICES ARE BASED OFF OF THE REFERENCE MARK LOCATED AT THE NORTH WEST CORNER OF SITE WHERE THE LEASE LINE AND P/L INTERSECT AND THE PLAN NORTH



PROJECT  
Shell Canada Products  
HAZELDEAN RD. &  
FRINGEWOOD DR. NTI

5 Orchard Drive  
Stittsville, Ontario  
CLIENT

Shell Canada  
400-4th Avenue SW  
Calgary, AB T2P 0J4  
403.252.4554 tel  
www.shell.ca  
CONSULTANT

AECOM Canada Ltd  
4th Floor, 3292 Production Way  
Burnaby, BC V5A 4R4  
604.444.6400 tel 604.294.8597 fax  
www.aecom.com

CTM Design Services Ltd.  
210, 340 Midpark Way SE  
Calgary, AB T2X 1P1  
403.640.0990 tel  
www.ctmdesign.ca



REGISTRATION

LEGAL DESCRIPTION  
PART OF BLOCK 21 OF DRAFT PLAN OF  
SUBDIVISION OF PARTS OF LOTS 26 AND 27 OF  
REGISTERED PLAN 4R2506 PART 3,  
CONCESSION 11, GEOGRAPHIC TOWNSHIP OF  
GOULBOURN (CITY OF OTTAWA)

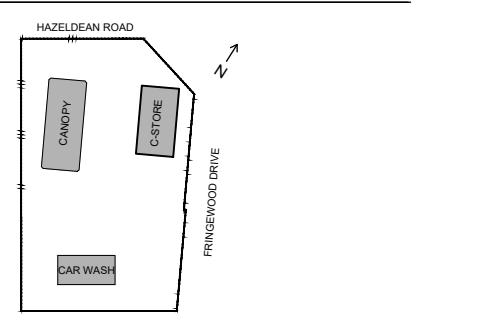
ISSUE/REVISION

NO.	DATE	DESCRIPTION
D	2020-09-30	RE-ISSUED FOR SPA
C	2020-09-15	ISSUED TO CLIENT
B	2020-08-14	ISSUED FOR SWM ANALYSIS
A	2020-03-31	ISSUED FOR SPA
IR		

DRAWN BY

JNT

KEY PLAN



GLOBAL PROJECT ID NUMBER

CAN01444

SHEET TITLE

SITE

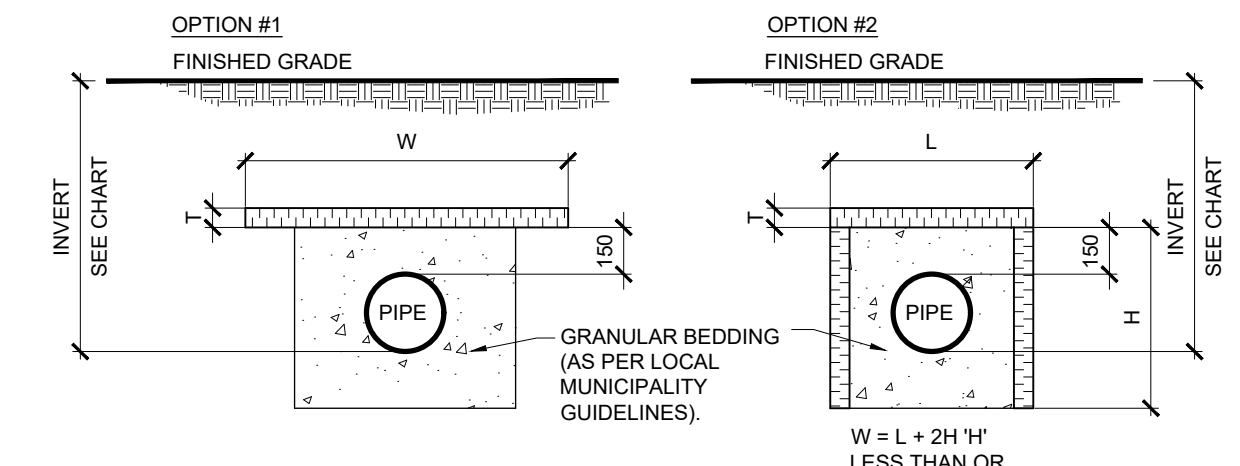
SITE SERVICING PLAN

CTM DESIGN FILE NAME

2020072\_C103.0

SHEET NUMBER

C103.0



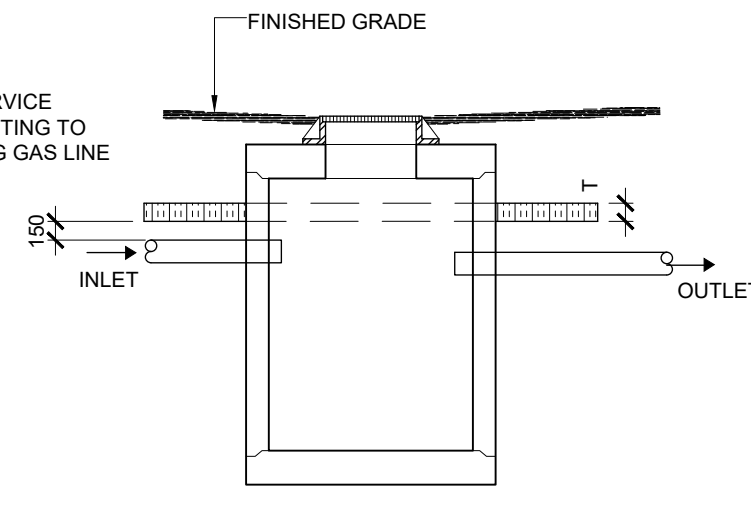
INSULATION CHART

PIPE INVERT	INSULATION THICKNESSES	OPTION #1 WIDTH W	OPTION #2 WIDTH HEIGHT "L"*** "H"
950 - 1249	100	3600	2400 600
1250 - 1549	75	3000	1800 600
1550 - 1849	75	2400	1200 600
1850 - 2149	50	1800	600 600
2150 - 2449	50	1200	1200 -
2450 - 2749	25	600	600 -
2750 - 2850	25	600	600 -

NOTE:  
INSULATION TYPE TO BE  
STYROFOAM HIGH LOAD  
40 OR APPROVED  
EQUIVALENT.

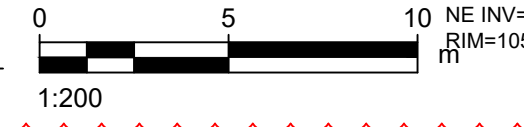
\*DESIGN INSTALL THICKNESS IS A PRODUCT OF CURRENT SUPPLY AND DEMAND AVAILABILITY OF PRODUCT, 2400L X 600W X 50 THICK.  
\*\* MINIMUM WIDTHS TAKEN FROM 600 WIDE SHEET BEING AVAILABLE FOR SIDEWALLING TO DEPTH "H"

FROST PROTECTION DETAIL



1 SITE SERVICING PLAN

C103.0 SCALE: 1:200



2 FROST PROTECTION DETAIL

C103.0 SCALE: NTS

This drawing has been prepared for the use of AECOM's client and may not be used, reproduced or relied upon by third parties, except as agreed by AECOM and its client, as required by law or for use by governmental reviewing agencies. AECOM accepts no responsibility and denies any liability whatsoever to any party that modifies this drawing without AECOM's express written consent. All measurements must be obtained from stated dimension.