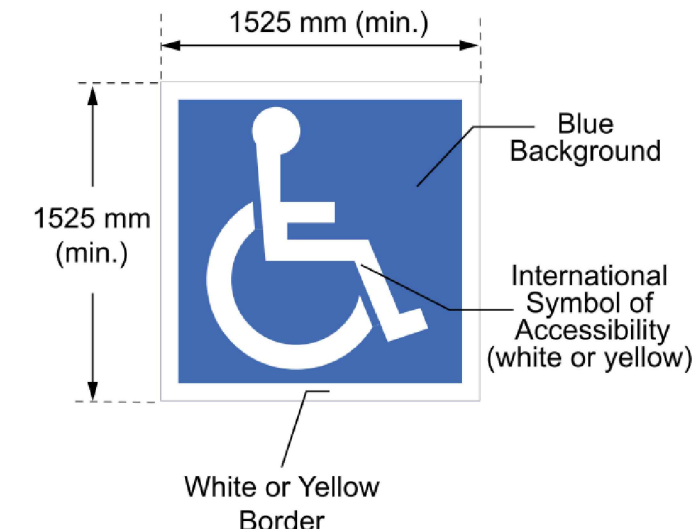
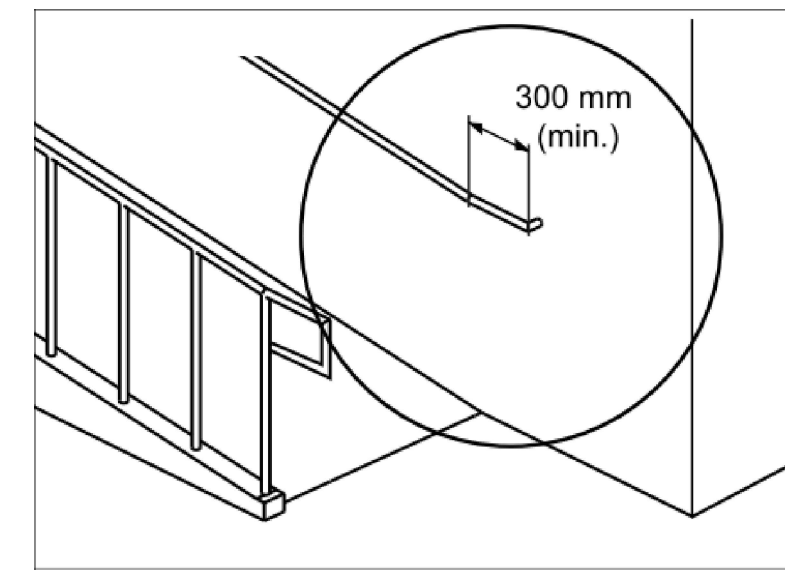


Type B Spaces

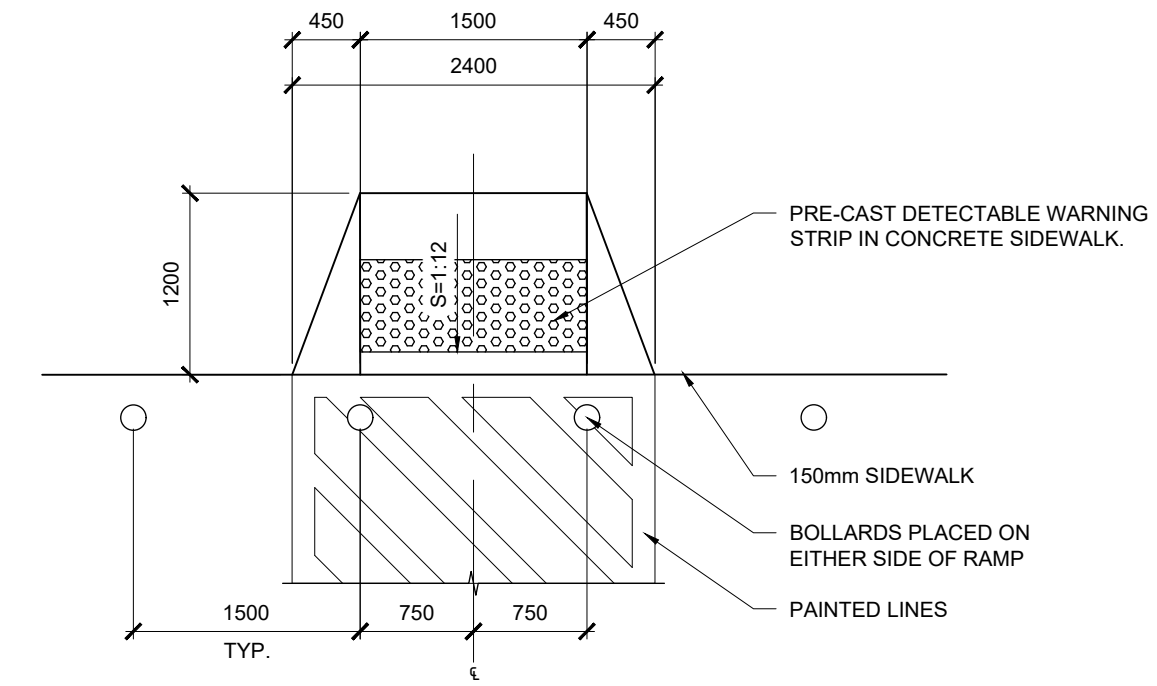
1 ACCESSIBLE PARKING SIGNAGE - TYPE B
 C505.0 SCALE: NTS



2 ACCESSIBLE PARKING PAVEMENT MARKING
 C505.0 SCALE: NTS



3 HANDRAIL RETURN AT WALL
 C505.0 SCALE: NTS



4 BARRIER FREE RAMP - PLAN VIEW
 C505.0 SCALE: 1:50



REGISTRATION

LEGAL DESCRIPTION
 PART OF BLOCK 21 OF DRAFT PLAN OF
 SUBDIVISION OF PARTS OF LOTS 26 AND 27 OF
 REGISTERED PLAN 4R2506 PART 3,
 CONCESSION 11, GEOGRAPHIC TOWNSHIP OF
 GOULBOURN (CITY OF OTTAWA)

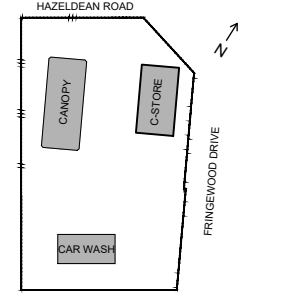
ISSUE/REVISION

IR	DATE	DESCRIPTION
A	2020-09-30	ISSUED FOR SPA

DRAWN BY

NAS

KEY PLAN



GLOBAL PROJECT ID NUMBER

CAN01444

SHEET TITLE

SITE DETAILS

CTM DESIGN FILE NAME

2020072_C505.0

SHEET NUMBER

C505.0

This drawing has been prepared for the use of AECOM's client and may not be used, reproduced or relied upon by third parties, except as agreed by AECOM and its client, as required by law or for use by governmental reviewing agencies. AECOM accepts no responsibility and denies any liability whatsoever to any party that modifies this drawing without AECOM's express written consent. Do not scale this document. All measurements must be obtained from stated dimension.