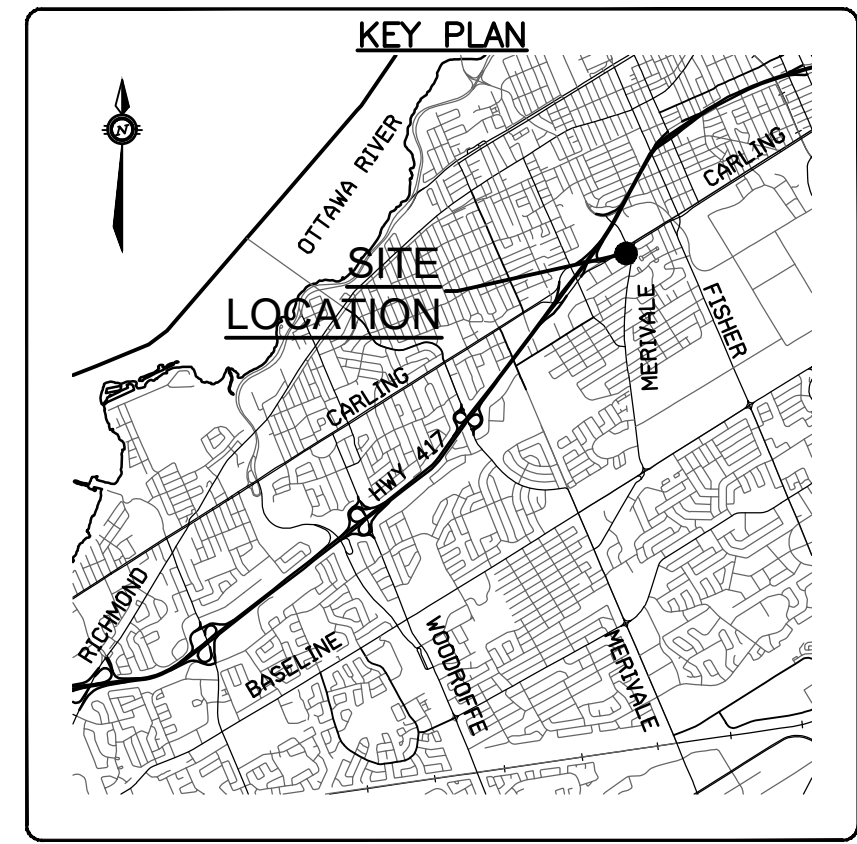


EROSION AND SEDIMENT CONTROLS DURING CONSTRUCTION.

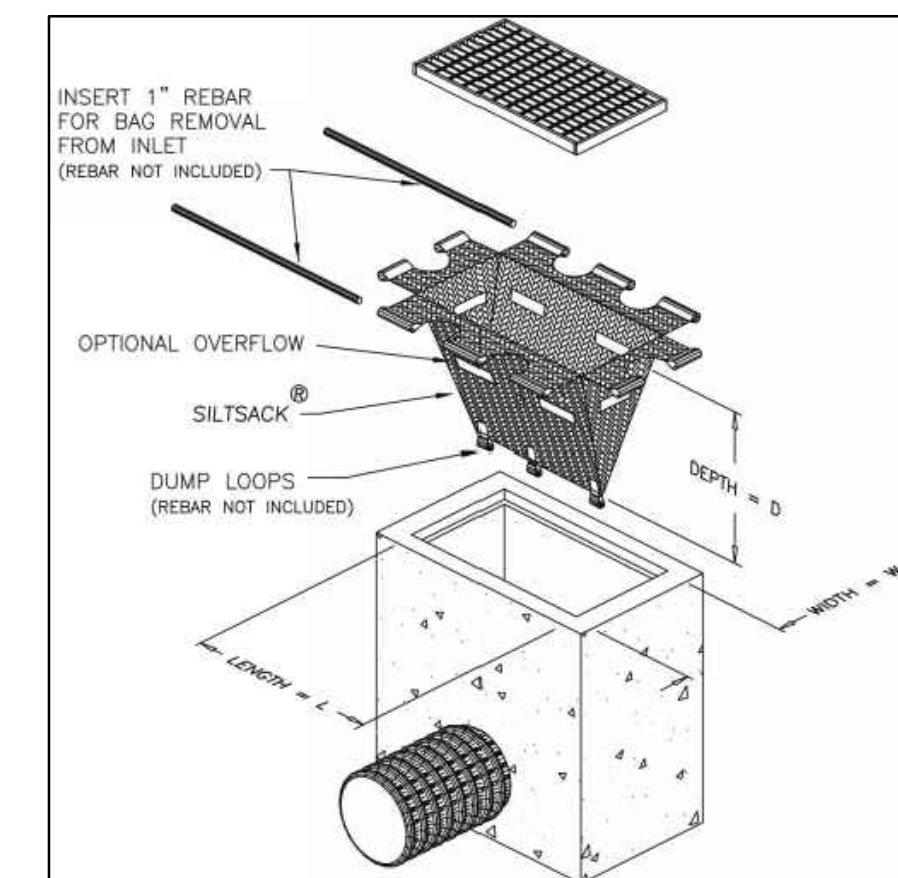
DURING ALL CONSTRUCTION ACTIVITIES, EROSION AND SEDIMENTATION SHALL BE CONTROLLED BY THE FOLLOWING TECHNIQUES:

1. LIMITING THE EXTENT OF EXPOSED SOILS AT ANY GIVEN TIME.
2. REVEGETATION OF EXPOSED AREAS AS SOON AS POSSIBLE.
3. MINIMIZATION OF AREA TO BE CLEARED AND DISRUPTION TO ADJACENT AREAS.
4. INSTALLATION OF FILTER CLOTH BETWEEN FRAME AND COVER ON ALL PROPOSED CATCH BASINS AND CATCH BASIN MANHOLES.
5. A SILT FENCE TO BE INSTALLED 0.3m INSIDE THE SITE PROPERTY LINE TO LOCATIONS SHOWN ON THIS DRAWING.
6. A VISUAL INSPECTION SHALL BE COMPLETED DAILY ON SEDIMENT CONTROL BARRIERS AND ANY DAMAGE REPAIRED IMMEDIATELY. CARE WILL BE TAKEN TO PREVENT DAMAGE DURING CONSTRUCTION OPERATIONS.
7. IN SOME CASES SOME BARRIERS MAY BE REMOVED TEMPORARILY TO ACCOMMODATE THE CONSTRUCTION OPERATIONS. THE AFFECTED BARRIERS WILL BE REINSTATED AT NIGHT WHEN CONSTRUCTION IS COMPLETED.
8. THE SEDIMENT CONTROL DEVICES WILL BE CLEANED OF ACCUMULATED SILT AS REQUIRED. THE DEPOSITS WILL BE DISPOSED OF AS PER THE REQUIREMENTS OF THE CONTRACT.
9. DURING THE COURSE OF CONSTRUCTION IF THE ENGINEER BELIEVES THAT ADDITIONAL PREVENTION METHODS ARE REQUIRED TO CONTROL EROSION AND SEDIMENTATION, THE CONTRACTOR WILL INSTALL ADDITIONAL SILT FENCES OR OTHER METHODS AS REQUIRED TO THE SATISFACTION OF THE ENGINEER.
10. CONSTRUCTION AND MAINTENANCE REQUIREMENTS FOR EROSION AND SEDIMENT CONTROLS TO COMPLY WITH ONTARIO PROVINCIAL STANDARD SPECIFICATION (OPSS) OPSS 805, AND CITY OF OTTAWA SPECIFICATIONS.
11. SEDIMENT AND EROSION CONTROL MEASURES MAY BE MODIFIED IN THE FIELD AT THE DISCRETION OF THE CITY OF OTTAWA SITE INSPECTOR OR CONSERVATION AUTHORITY.



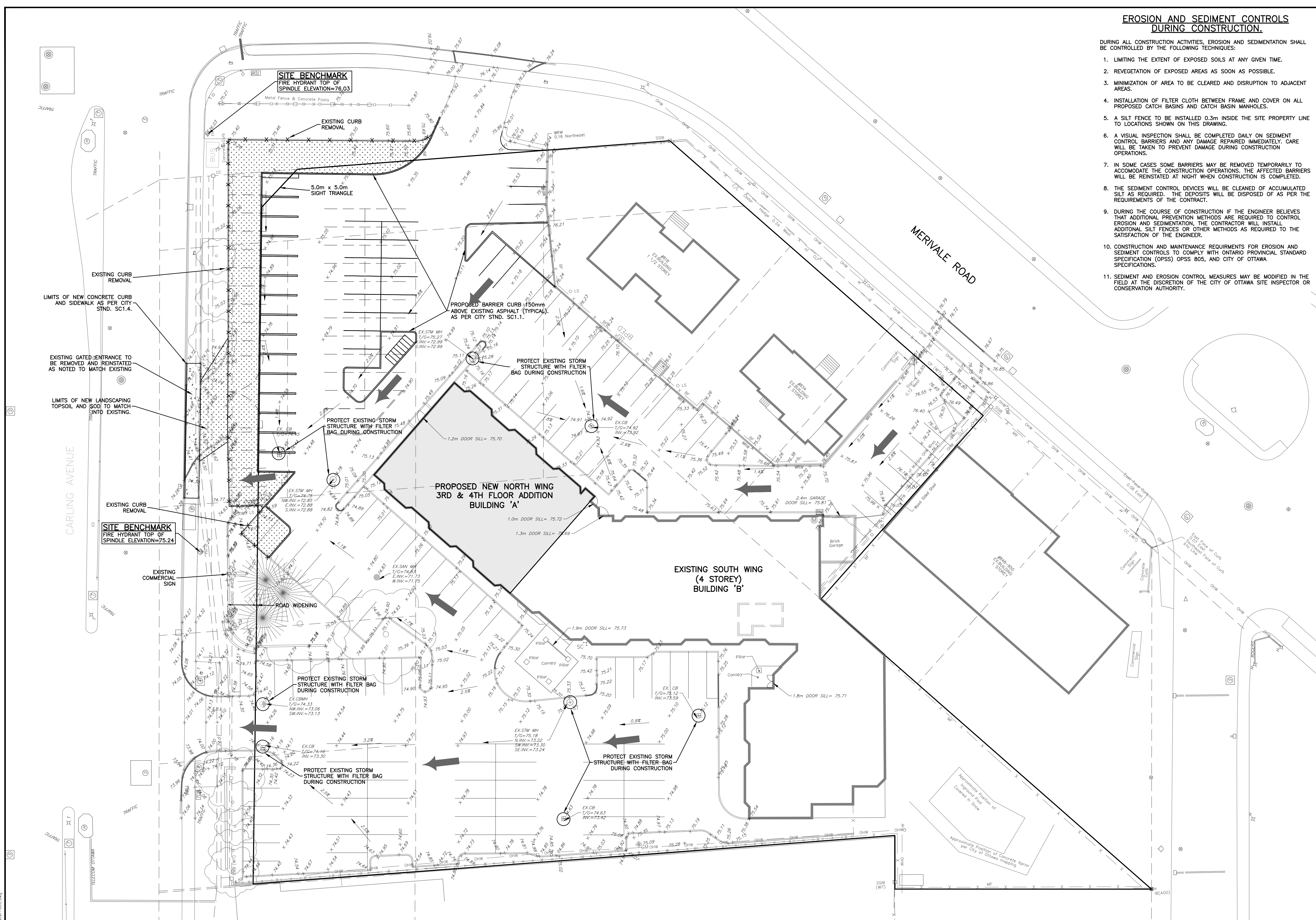
EXISTING LEGEND

	Survey Monument Planted
	Survey Monument Found
	Standard Iron Bar
	Short Standard Iron Bar
	Iron Bar (0.3 Long)
	Rock Post
	Cut Cross
	Concrete Pin Measured
	Witness
	Arnis, O'Sullivan, Vallebek Ltd.
	Lattice Fence
	Metal Fence
	Board Fence
	Chain Link Fence
	Metal Rail
	Centreline
	Wooden Retaining Wall
	Brick Retaining Wall
	Overhead Wires
	Utility Pole
	Anchor
	Light Standard
	Water Valve, Valve Chamber, Fire Hydrant
	Sewer Manhole, Catch Basin Manhole
	Catch Basin / Drainage, Wing Wall, Head Wall
	Pole, Pole w/ light, Decorative, Lawn Light
	Power Supply, Panel, Pedestal, Transformer, Tower, Regulator
	Amp, Hand Hole, Vault, Gas Valve
	DC Transpo: Bus Shelter-No Power, Energized, Isolated
	Streetscape: Planter Box, Grate Square, Eng. Soil
	Traffic Connect Box / Disconnect Box, Sl. Disconnect
	R.L. Hand Hole, R.L. Camera
	Scada: Handhold, Monitoring Panel
	Survey Elevation (exp Services Inc. November 2018)
	Survey Slope and direction of flow



PROVIDE FILTER BAGS AS SHOWN (GEO-SYNTHETICS MANUFACTURER OR APPROVED EQUIVALENT)

FILTER BAG DETAIL
N.T.S.



CAUTION
THE POSITION OF ALL POLE LINES, CONDUITS, WATERMAINS, SEWERS AND OTHER UNDERGROUND UTILITIES AND STRUCTURES IS NOT NECESSARILY SHOWN ON THE CONTRACT DRAWINGS, AND WHERE SHOWN, THE ACCURACY OF THE POSITION OF SUCH UTILITIES AND STRUCTURES IS NOT GUARANTEED. BEFORE STARTING WORK, DETERMINE THE EXACT LOCATION OF ALL SUCH UTILITIES AND STRUCTURES AND ASSUME ALL LIABILITY FOR DAMAGE TO THEM.

REV	REVISION DESCRIPTION	DATE	BY	APPD
2	ISSUED FOR SITE PLAN APPLICATION	19/08/19	SAB	BMT
1	ISSUED FOR COORDINATION	05/02/19	SAB	BMT

<p>exp Services Inc. 1-813-888-1888 1-813-225-7330 3255 Woodbine Ave., Unit 100 Ottawa, ON K2B 8R6 Canada www.exp.com</p> <p>• BUILDINGS • EARTH & ENVIRONMENT • ENERGY • • INDUSTRIAL • INFRASTRUCTURE • SUSTAINABILITY •</p>	<p>BEST WESTERN PLUS 1274 CARLING AVENUE OTTAWA, ON. K1Z 7K8</p>	<p>BEST WESTERN PLUS 1274 CARLING AVENUE OTTAWA, ONTARIO.</p>	<p>PROJECT NO. OTT-245894-A0</p> <p>DATE DECEMBER 2018</p> <p>DRAWING NO. C200</p>
	<p>DESIGNED BY JLF</p> <p>CHECKED BY BMT</p> <p>DATE SAB</p> <p>PROJECT MANAGER BMT</p> <p>APPROVED BY JLF</p>	<p>PROJECT TITLE SITE GRADING, EROSION AND SEDIMENT CONTROL PLAN</p>	
	<p>SCALE</p> <p>HORIZONTAL 1:250</p>	<p>CLIENT</p>	
	<p>CLIENT</p>		