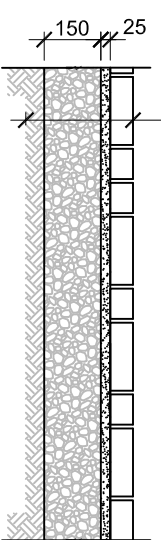
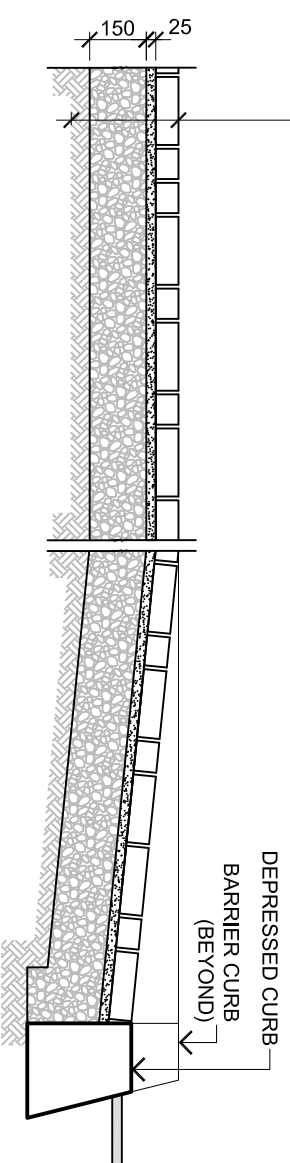


1a  
UNIT PAVING  
NTS



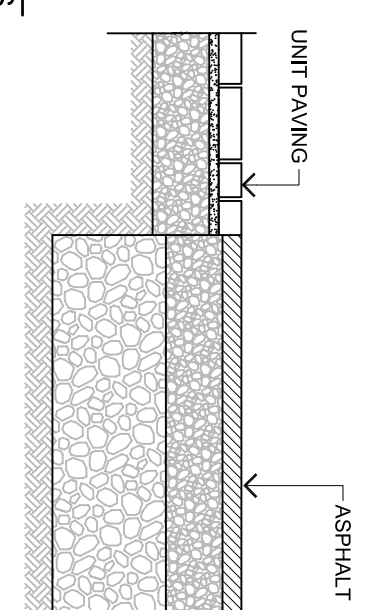
1a  
UNIT PAVING  
NTS

1b  
CURB SECTION  
NTS

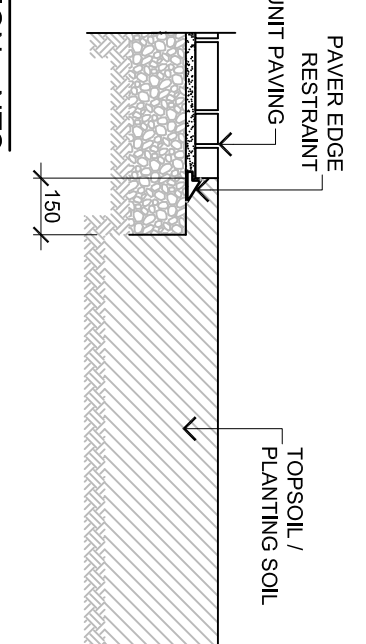


1b  
CURB SECTION  
NTS

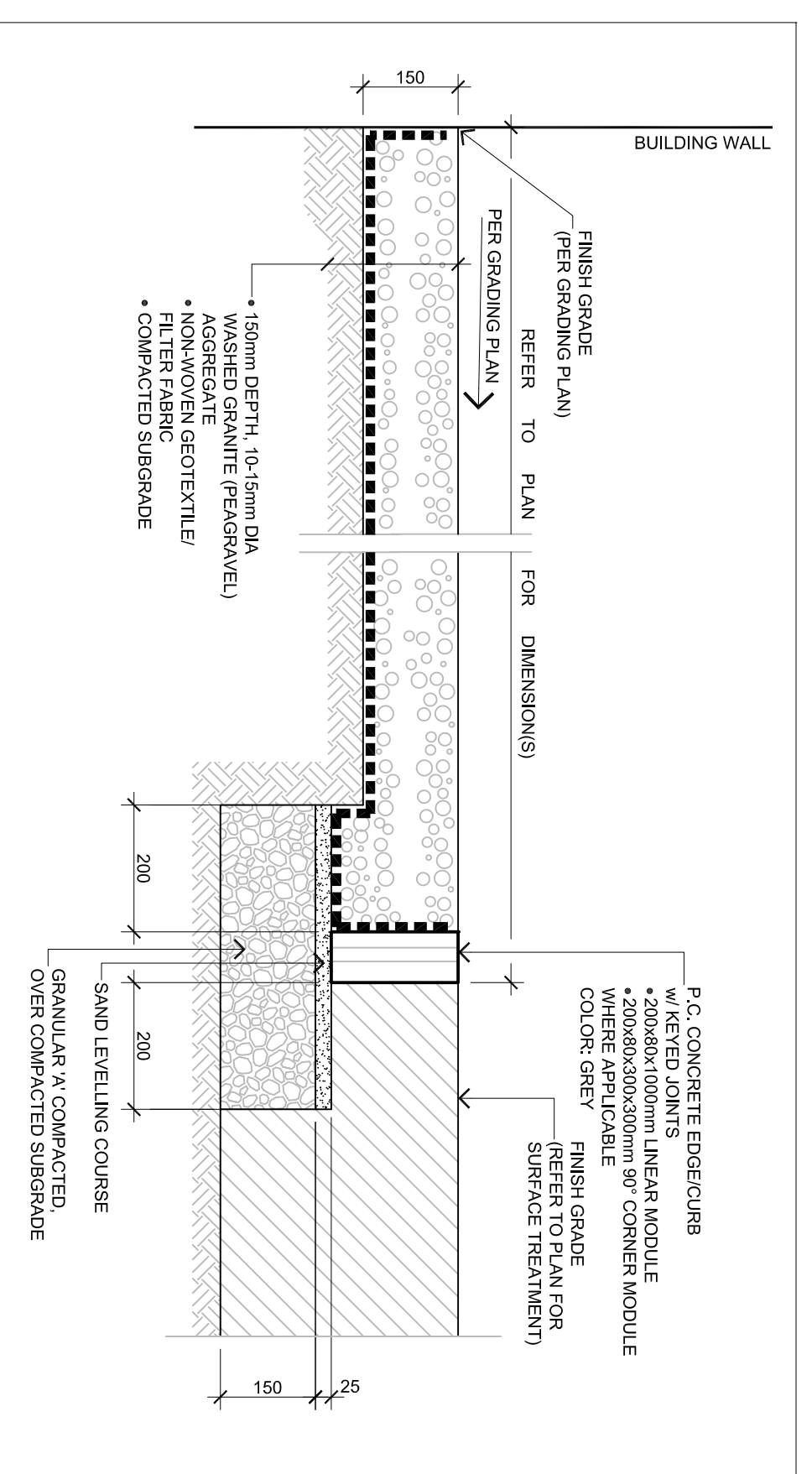
1c  
UNIT PAVING/  
ASPHALT  
NTS



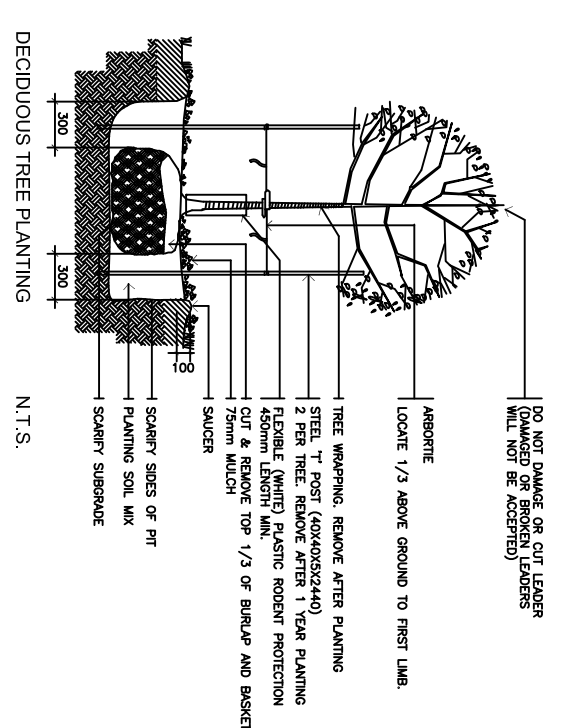
1d  
UNIT PAVING/  
SOD/PLANTING SECTION  
NTS



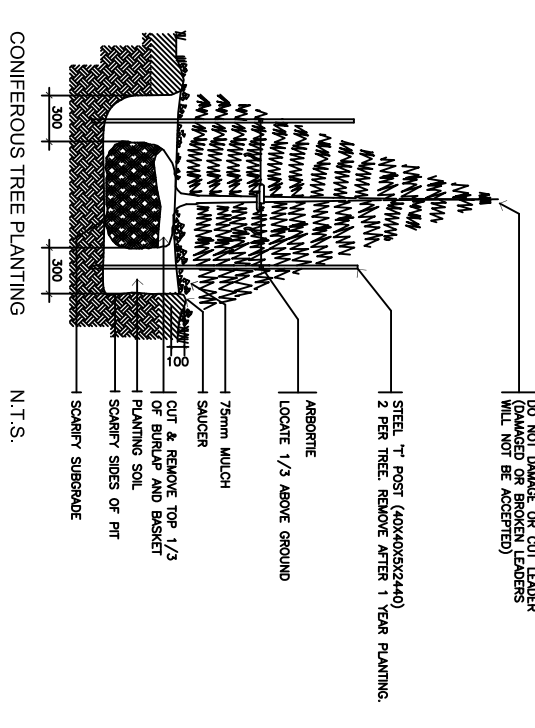
1  
UNIT PAVING DETAILS  
NTS



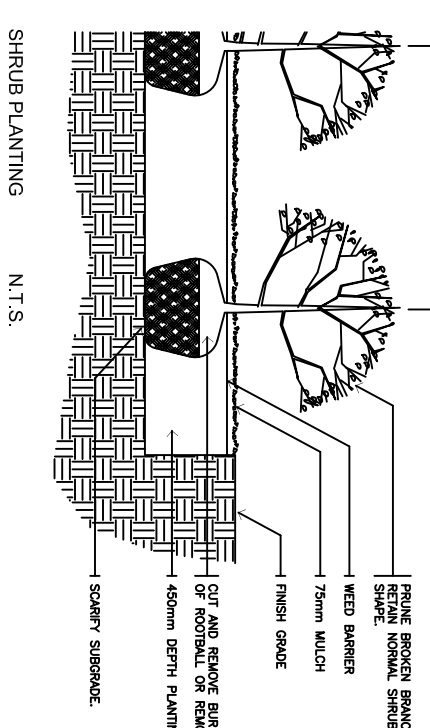
2  
MAINTENANCE STRIP w/ EDGE SECTION  
NTS



DECIDUOUS TREE PLANTING  
NTS

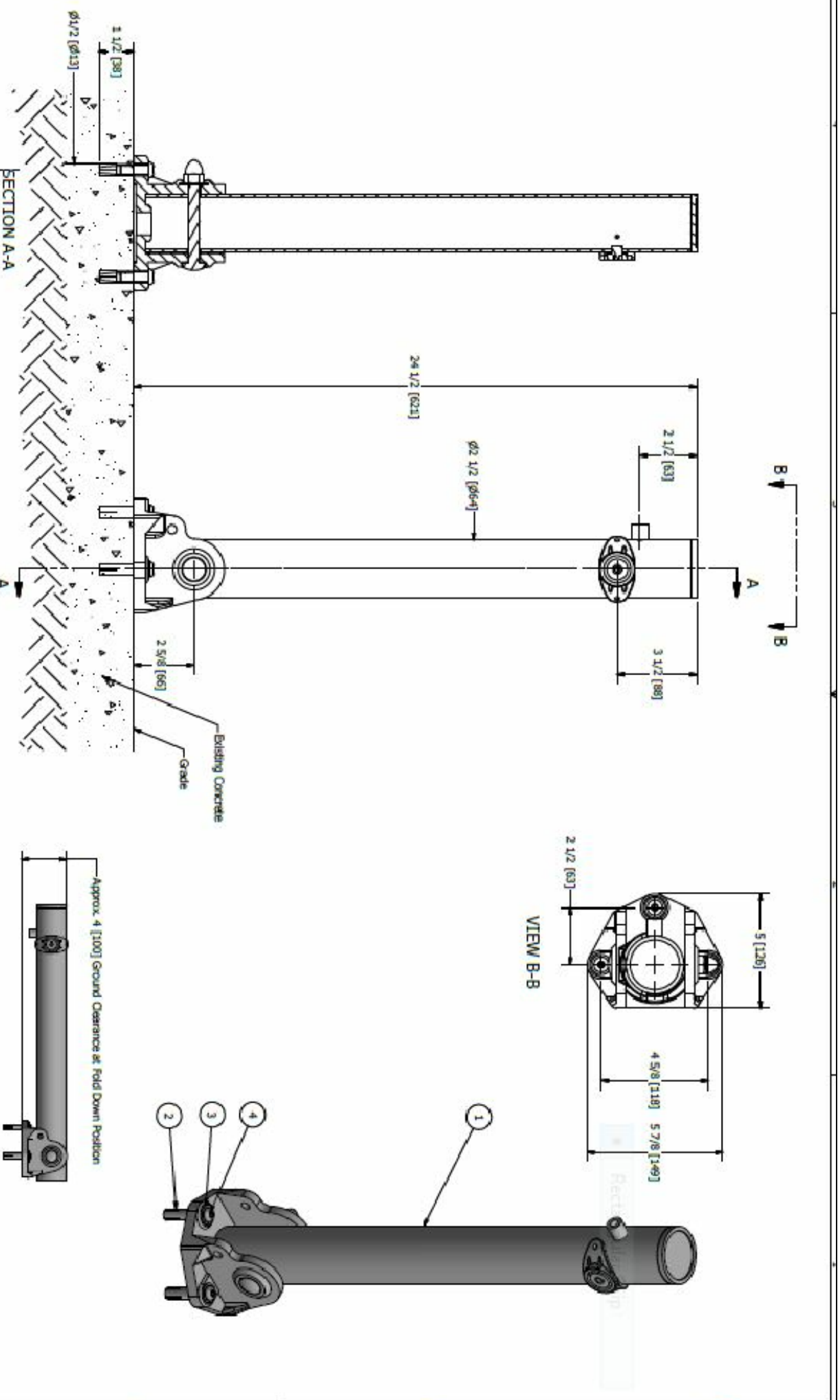


CONIFEROUS TREE PLANTING  
NTS



SHRUB PLANTING  
NTS

3  
PLANTING DETAILS  
NTS



Notes:

- Elevation details are for reference illustration only. Minimum quantities shall be based on local site conditions, weather conditions, and engineering requirements.
- Elevation details are provided as reference only. Minimum quantities shall be based on local site conditions, weather conditions, and engineering requirements.
- Elevation details are provided as reference only. Minimum quantities shall be based on local site conditions, weather conditions, and engineering requirements.
- Elevation details are provided as reference only. Minimum quantities shall be based on local site conditions, weather conditions, and engineering requirements.

ITEM	QTY	UNIT	DESCRIPTION	REMARKS
1	1	EA	FOLD DOWN BOLLARD	
2	1	EA	CONCRETE FOUNDATION	
3	1	EA	CONCRETE FOUNDATION	
4	1	EA	CONCRETE FOUNDATION	

4  
FOLD DOWN BOLLARD  
NTS

APPROVED  REFUSED

THIS 9 DAY OF September, 2020

*Erin O'Connell*

ERIN O'CONNELL, M.C.I.P., R.P.P. MANAGER (A)  
DEVELOPMENT, INFRASTRUCTURE AND ECONOMIC  
DEVELOPMENT DEPARTMENT, CITY OF OTTAWA

NOT FOR CONSTRUCTION

NO.	DATE	REVISION
09	DEC. 31/19	PER CITY COMMENTS (1) - PHASE 2
08	SEPT. 13/19	ISSUE FOR SITE PLAN APPROVAL - PHASE 2
07	JAN. 14/19	ISSUE FOR PHASE 3 SPA
06	DEC. 11/18	ISSUE FOR PHASE 2 SPA
05	AUG. 31/18	PER CITY COMMENTS (4)
04	JULY 27/18	ISSUED FOR SITE PLAN APPROVAL
03	MAR. 29/18	PER CITY COMMENTS (2)
02	NOV. 29/17	PER CITY COMMENTS (1) / REVISED SITE
01	JUNE 12/17	ISSUE FOR SPA



Contractor shall check and verify all dimensions on site and report all errors and/or omissions to the Consultant.  
Work to be done in accordance with all applicable codes and by-laws.  
Do not scale Drawing.  
This Drawing shall not be used for construction until signed by the Consultant.  
Copyright reserved. This Drawing is the exclusive property of Levstek Consultants Inc. and shall not be used without consent.

Consultant  
LEVSTEK CONSULTANTS INC.

Client  
GREATWISER DEVELOPMENTS

Project  
FRESH TOWNS  
2795 BASELINE ROAD  
PHASE 2  
OTTAWA ONTARIO

Drawing Title  
LANDSCAPE DETAILS

Drawn By  
MGB  
Date  
SEPT. 2018

Scale  
AS NOTED  
Drawing No.  
L2.01  
Project No.  
1130.03