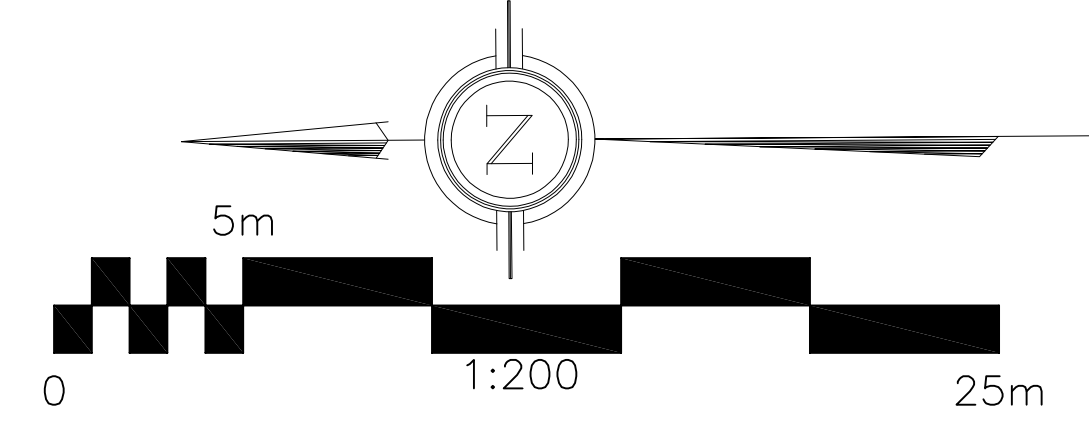
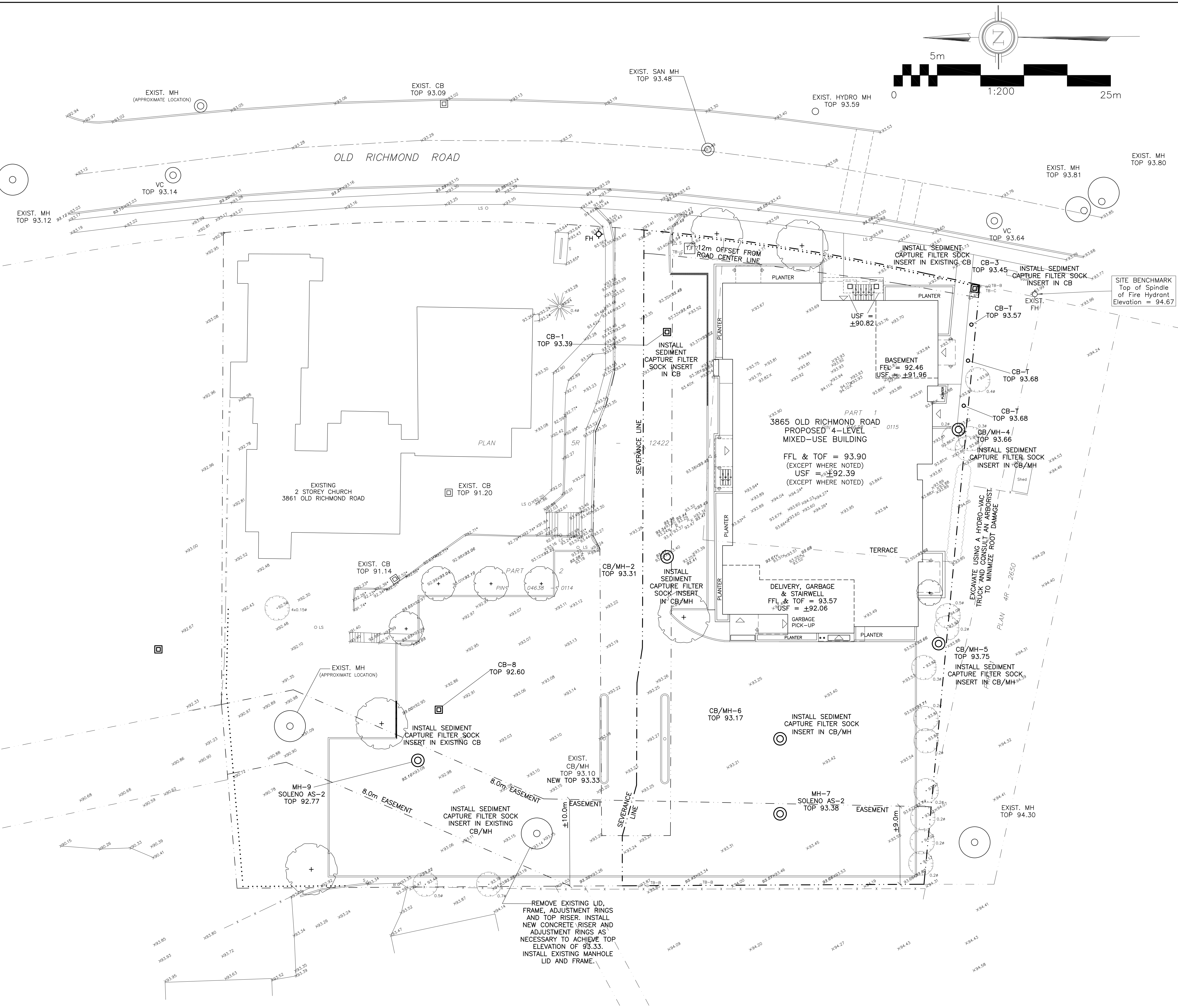
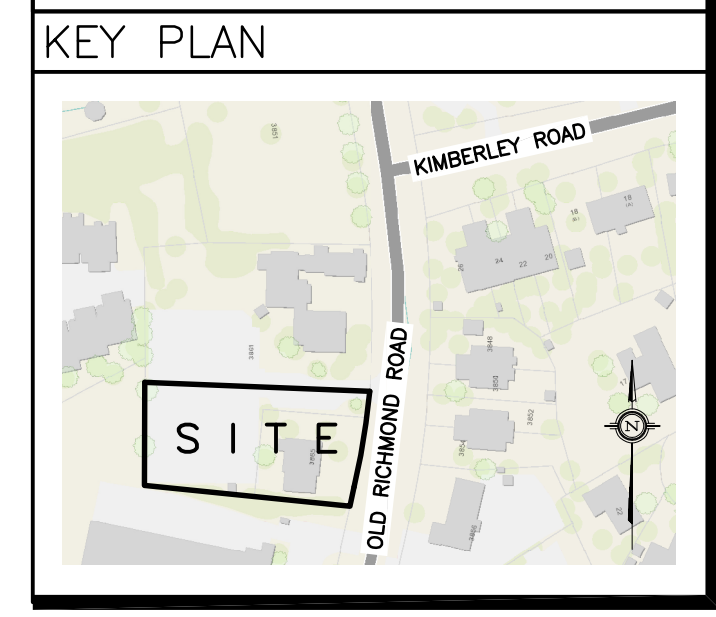


KIMBERLEY ROAD



**DRAWING LEGEND**

- CB [Symbol] CATCH BASIN
- MH [Symbol] MANHOLE
- CB/MH [Symbol] CATCH BASIN/MANHOLE
- SPL [Symbol] SPRINGLINE OF PIPE
- INV [Symbol] INVERT OF PIPE
- Sub [Symbol] SUBDRAINS IN CB
- Sub [Symbol] SUBDRAINS IN CB/MH
- SAN [Symbol] SANITARY SEWER
- ST [Symbol] STORM SEWER
- WS/WM [Symbol] WATER SERVICE/WATERMAIN
- CS [Symbol] CURB STOP & STANDPOST
- VB [Symbol] VALVE & VALVE BOX
- FT [Symbol] FIRE HYDRANT
- RD [Symbol] ROOF DRAIN
- WM [Symbol] WATER METER
- RM [Symbol] REMOTE WATER METER READOUT
- ± 66.75 [Symbol] EXISTING GRADE ELEVATION
- + 66.75 [Symbol] PROPOSED GRADE ELEVATION
- 0.5% [Symbol] EXISTING SLOPE OF GRADE
- 0.5% [Symbol] PROPOSED SLOPE OF GRADE
- OF [Symbol] EMERGENCY OVERLAND FLOW
- B.O.S. [Symbol] BOTTOM OF SLOPE
- [Symbol] CENTERLINE OF SWALE
- - - [Symbol] PROPERTY LINE
- [Symbol] SILT FENCE BARRIER
- D.C. [Symbol] CONC. CURB/DEPRESSED CURB (150mm EXCEPT WHERE NOTED)
- [Symbol] LIGHT-DUTY PAVEMENT
- [Symbol] HEAVY-DUTY PAVEMENT
- TWSY [Symbol] TWSY
- FFL [Symbol] FIRST FLOOR ELEVATION
- BFL [Symbol] BASEMENT FLOOR ELEVATION
- USF [Symbol] UNDERSIDE OF FOOTING

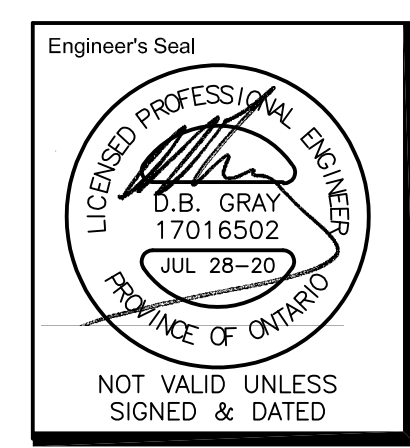


No.	DATE	REVISION
3	JUL 28-20	RE-ISSUED FOR APPROVAL
2	APR 28-20	ISSUED FOR APPROVAL
1	APR 22-20	ISSUED FOR COORDINATION

**D. B. GRAY ENGINEERING INC.**  
 Stormwater Management • Grading & Drainage • Storm & Sanitary Sewers • Watermain  
 700 Long Point Circle 613-425-8044  
 Ottawa, Ontario d.gray@dbgrayengineering.com

Project  
**PROPOSED 3 STOREY MIXED USE BUILDING**  
 3865 OLD RICHMOND ROAD  
 OTTAWA, ONTARIO

Drawing Title  
**EROSION & SEDIMENT CONTROL PLAN**



Engineer's Seal  
 Drawn: D.B.G.  
 Hor. Scale: 1:200  
 Vert. Scale:  
 Date: APR 22-20  
 Job No.: 19022  
 Drawing No.:  
**C-4**  
 of 7

#18148

D07-12-20-0053