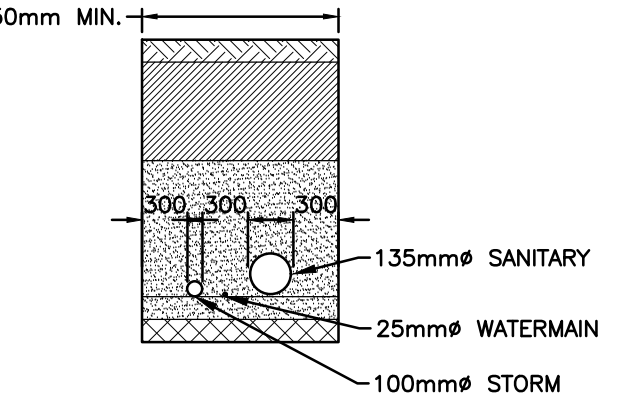


PERFORATED SUBDRAIN & INFILTRATION TRENCH DIMENSIONS

PERFORATED SUBDRAIN			TRAPEZOIDAL TRENCH DIMENSIONS			
LENGTH (m)	DIAM. (mm)	INV. (m)	WIDTH W (m)	WIDTH a (m)	LENGTH L (m)	DEPTH D (m)
4.3	100	64.09	3.5	4.5	6.6	1.0



TYPICAL COMMON SERVICING TRENCH AS PER CITY DETAIL S11.3  
NOT TO SCALE

INFILTRATION TRENCH DETAIL

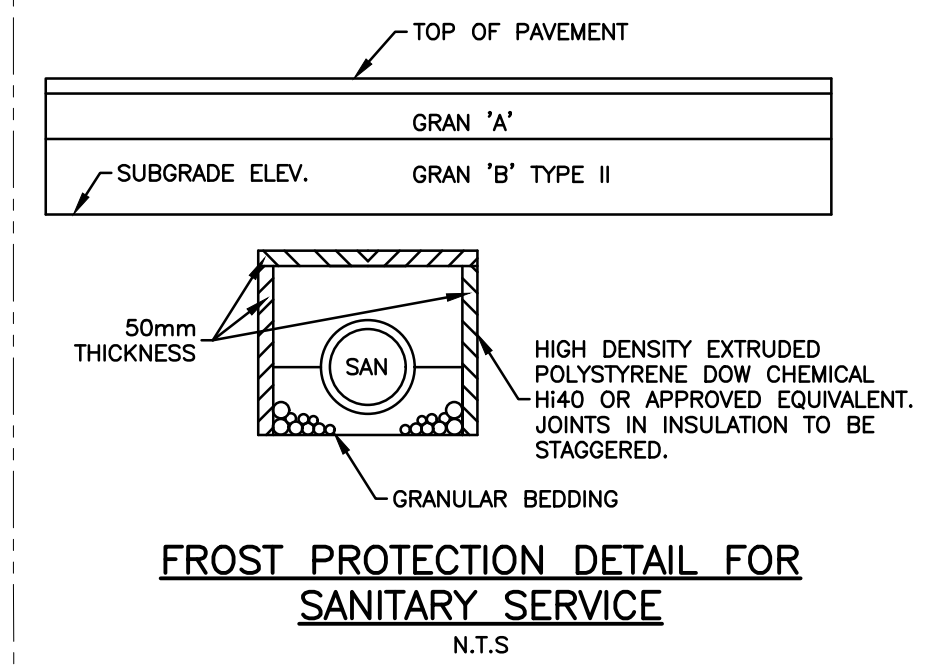
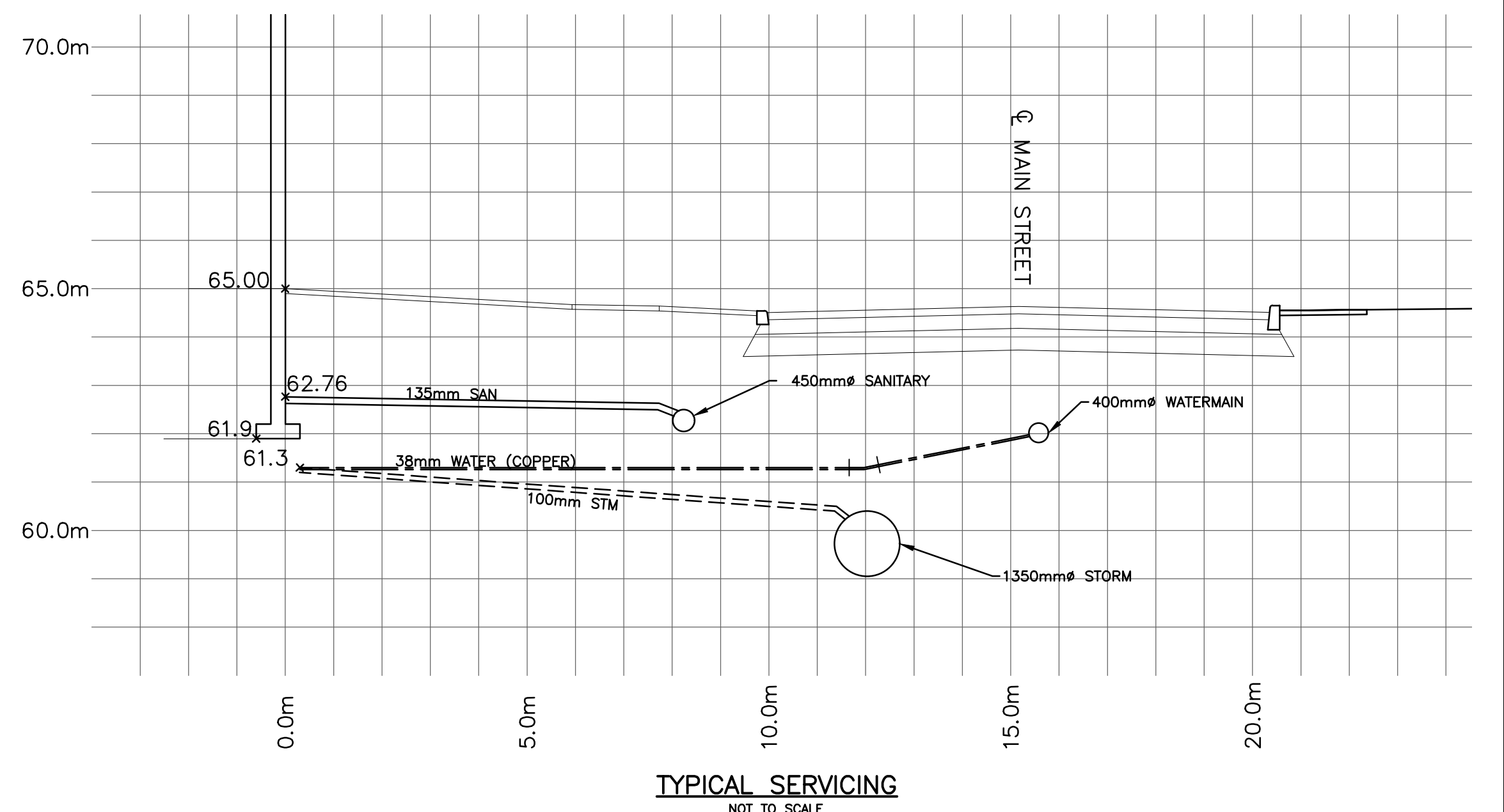
- NOTES:
- PERFORATED SUBDRAIN TO CONNECT TO CATCH BASIN/MANHOLE AND TO BE MORTARED AT THE INSIDE AND OUTSIDE OF CATCH BASIN WALLS. THE SUBDRAIN SHALL BE PLUGGED WITH A MANUFACTURED PLUG AT THE DEAD END, WHERE THERE IS NO CATCH BASIN.
  - APPROVED NON-WOVEN GLASS / GEOTEXTILE AS PER MS-22-15.
  - SUBDRAIN TO PROVIDE POSITIVE DRAINAGE.
  - CLEAR STONE USED TO CONSTRUCT THE INFILTRATION TRENCH MUST BE TESTED BY A CERTIFIED GEOTECHNICAL AGENCY IN THE FIELD TO ENSURE THE MATERIAL HAS A REQUIRED VOID RATIO OF 0.40.

ICD SUMMARY TABLE

Control Location	Max Flow (L/sec)	Max Head (m)	Type	Model
CB 1	3.6	1.6	IPEX TEMPEST	LMF 55

WATERMAIN / SEWER CROSSING TABLE

LOCATION	FINISHED GRADE (m)	SANITARY SEWER		STORM SEWER		WATERMAIN		CLEARANCES (mm)
		INV ELEV (m)	DIA (mm)	INV ELEV (m)	DIA (mm)	INV ELEV (m)	DIA (mm)	
1	64.6			61.61	200	61.81	200	867
2	64.6	62.02	375	62.40	250	61.72	38	300
3	64.76	62.04	375	62.42			61.63	750
4	64.61			59.05	1350	60.40	38	1772
5	64.76	62.04	375	62.42	60.62	100	60.72	1320



**CAUTION**  
THE POSITION OF ALL POLE LINES, CONDUITS, WATERMANS, SEWERS AND OTHER UNDERGROUND AND OVERGROUND UTILITIES AND STRUCTURES IS NOT NECESSARILY SHOWN ON THE CONTRACT DRAWINGS, AND WHERE SHOWN, THE ACCURACY OF THE POSITION OF SUCH UTILITIES AND STRUCTURES IS NOT GUARANTEED. BEFORE STARTING WORK, DETERMINE THE EXACT LOCATION OF ALL SUCH UTILITIES AND STRUCTURES AND ASSUME ALL LIABILITY FOR DAMAGE TO THEM.

SCALE: HORIZONTAL 1:100

DESIGNED BY: MZG

REVIEWED BY: MZG

DEVELOPER: 2503858 ONTARIO INC, 894 BUNCHBERRY WAY, OTTAWA, ON. K1T 0L6, 613.915.2591

BASE PLAN: MZG

DESIGN: MZG

CHECKED: BMT

CAD: MZG

PROJECT MANAGER: BMT

APPROVED: BMT

PROJECT NO: OTT-00258388-B0

SURVEY: FSD

DATE: MARCH 2020

DRAWING NO: C200

2503858 ONTARIO INC  
894 BUNCHBERRY WAY  
OTTAWA, ON. K1T 0L6  
613.915.2591

exp Services Inc.  
1-813-686-1891 (T) +1-613-225-7330  
3000 Glenborough Drive, Unit 109  
Ottawa, ON K2B 9H6  
Canada  
www.exp.com

• BUILDINGS • EARTH & ENVIRONMENT • ENERGY •  
• INDUSTRIAL • INFRASTRUCTURE • SUSTAINABILITY •

172 MAIN STREET  
OTTAWA, ONTARIO.

SITE SERVICING PLAN