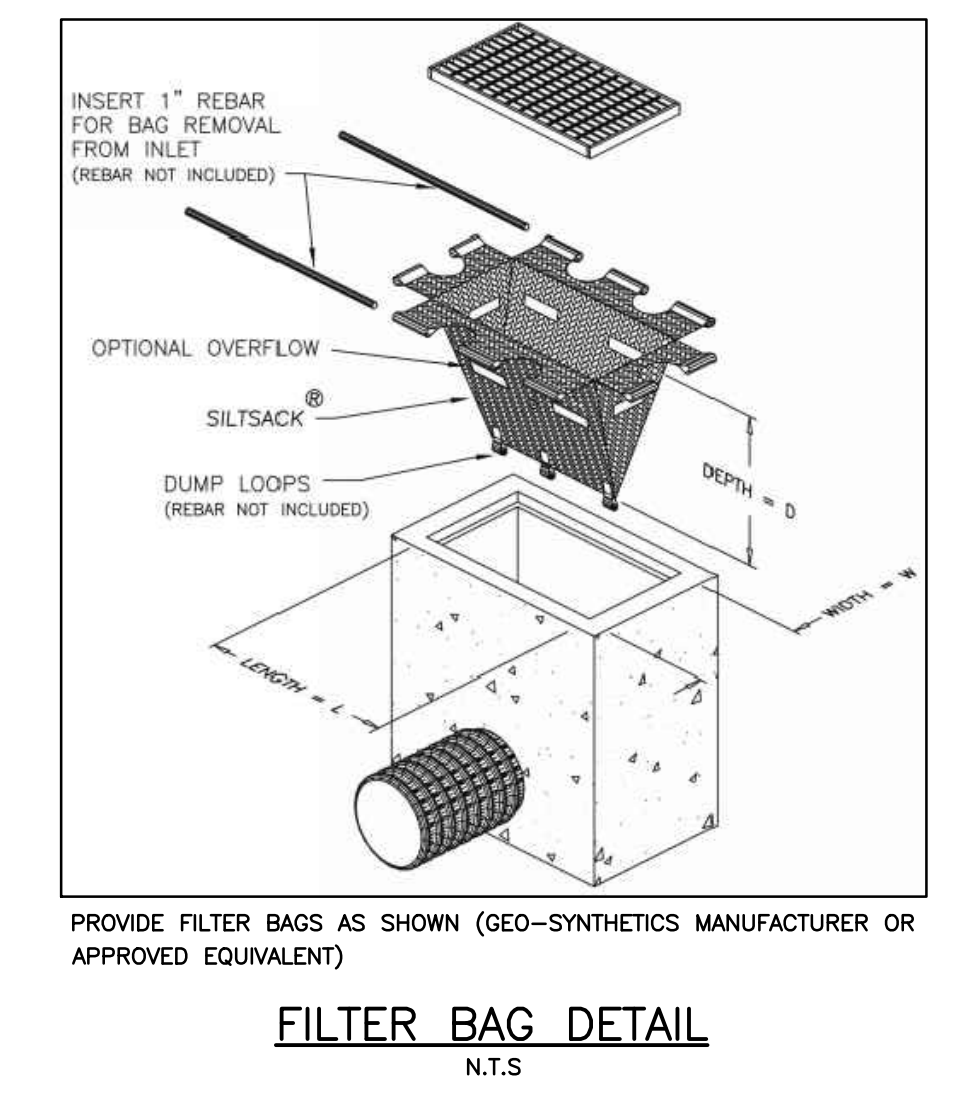
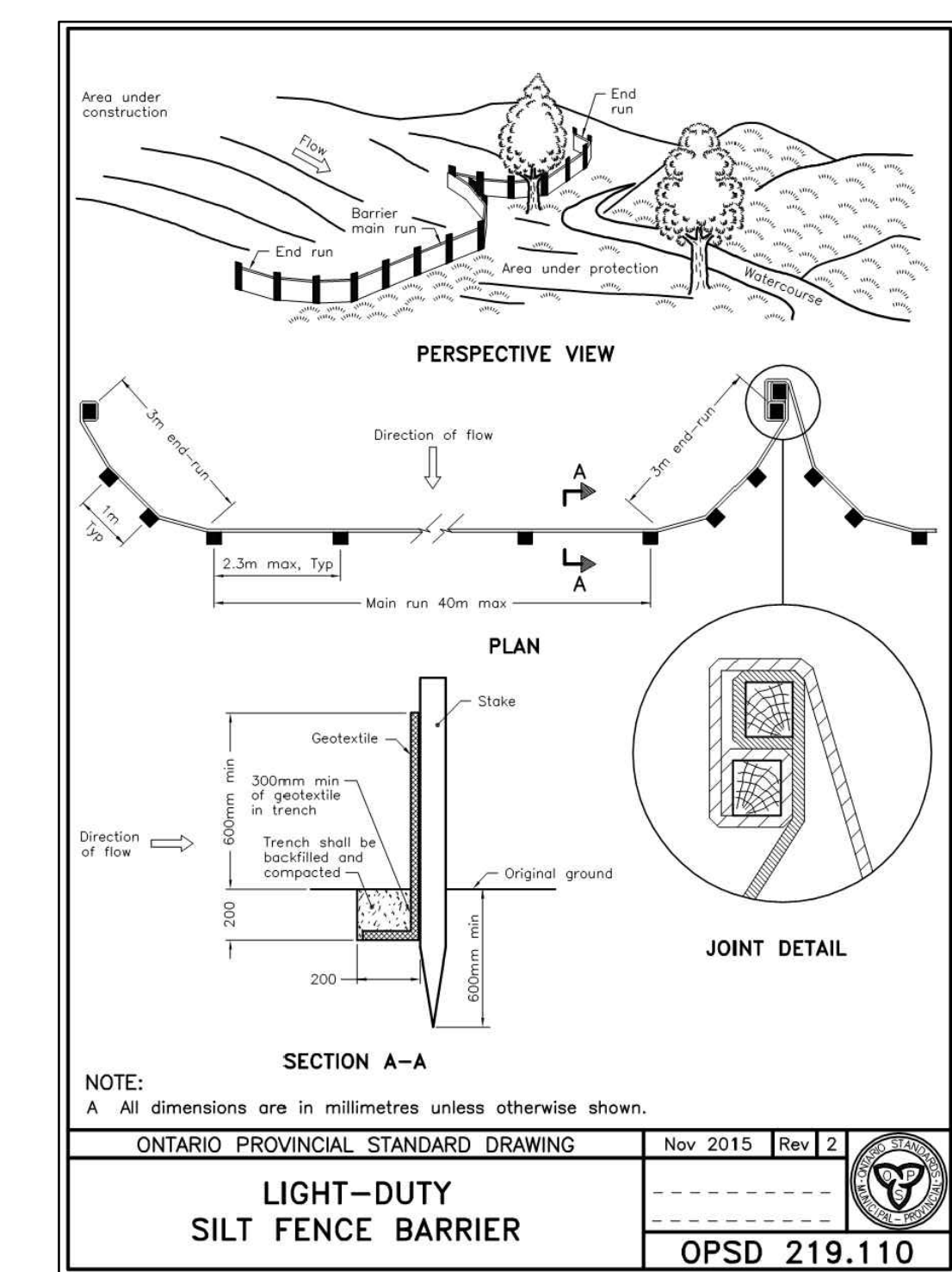
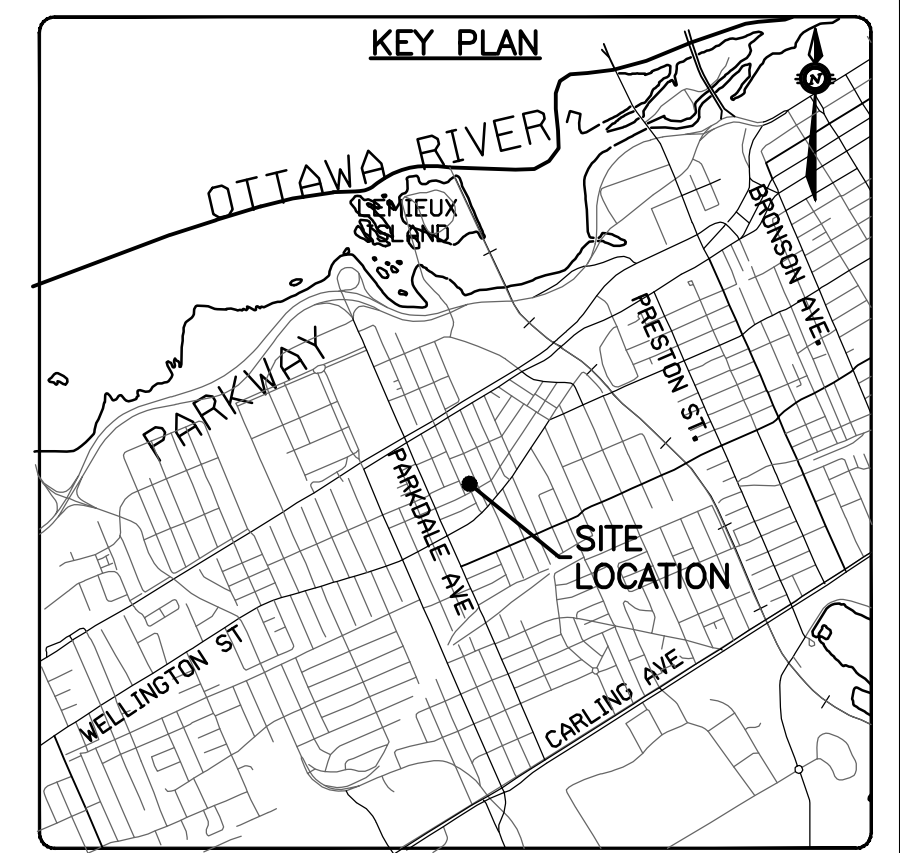


**EROSION AND SEDIMENT CONTROLS DURING CONSTRUCTION.**

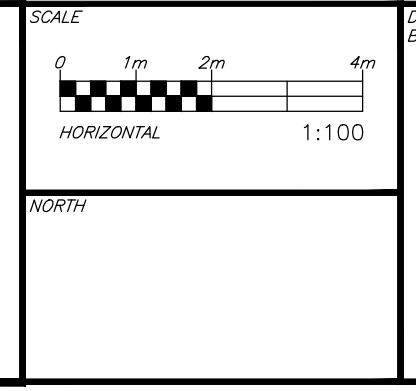
- DURING ALL CONSTRUCTION ACTIVITIES, EROSION AND SEDIMENTATION SHALL BE CONTROLLED BY THE FOLLOWING TECHNIQUES:
1. LIMITING THE EXTENT OF EXPOSED SOILS AT ANY GIVEN TIME.
  2. REVEGETATION OF EXPOSED AREAS AS SOON AS POSSIBLE.
  3. MINIMIZATION OF AREA TO BE CLEARED AND DISRUPTION TO ADJACENT AREAS.
  4. INSTALLATION OF FILTER CLOTH BETWEEN FRAME AND COVER ON ALL PROPOSED CATCH BASINS AND CATCH BASIN MANHOLES.
  5. A SILT FENCE TO BE INSTALLED 0.3m INSIDE THE SITE PROPERTY LINE TO LOCATIONS SHOWN ON THIS DRAWING.
  6. A VISUAL INSPECTION SHALL BE COMPLETED DAILY ON SEDIMENT CONTROL BARRIERS AND ANY DAMAGE REPAIRED IMMEDIATELY. CARE WILL BE TAKEN TO PREVENT DAMAGE DURING CONSTRUCTION OPERATIONS.
  7. IN SOME CASES SOME BARRIERS MAY BE REMOVED TEMPORARILY TO ACCOMMODATE THE CONSTRUCTION OPERATIONS. THE AFFECTED BARRIERS WILL BE REINSTATED AT NIGHT WHEN CONSTRUCTION IS COMPLETED.
  8. THE SEDIMENT CONTROL DEVICES WILL BE CLEANED OF ACCUMULATED SILT AS REQUIRED. THE DEPOSITS WILL BE DISPOSED OF AS PER THE REQUIREMENTS OF THE CONTRACT.
  9. DURING THE COURSE OF CONSTRUCTION IF THE ENGINEER BELIEVES THAT ADDITIONAL PREVENTION METHODS ARE REQUIRED TO CONTROL EROSION AND SEDIMENTATION, THE CONTRACTOR WILL INSTALL ADDITIONAL SILT FENCES OR OTHER METHODS AS REQUIRED TO THE SATISFACTION OF THE ENGINEER.
  10. CONSTRUCTION AND MAINTENANCE REQUIREMENTS FOR EROSION AND SEDIMENT CONTROLS TO COMPLY WITH ONTARIO PROVINCIAL STANDARD SPECIFICATION (OPSS) OPSS 805, AND CITY OF OTTAWA SPECIFICATIONS.
  11. SEDIMENT AND EROSION CONTROL MEASURES MAY BE MODIFIED IN THE FIELD AT THE DISCRETION OF THE CITY OF OTTAWA SITE INSPECTOR OR CONSERVATION AUTHORITY.



- NOTES:**
1. WOVEN WIRE FENCE TO BE FASTENED SECURELY TO WOOD POSTS WITH WIRE TIES OR STAPLES.
  2. POSTS TO BE SPACED AT 2.3 METRES CENTRE TO CENTRE.
  3. WHEN TWO SECTIONS OF FILTER CLOTH ADJOIN EACH OTHER THEY SHALL BE OVERLAPPED BY A MINIMUM OF 500mm.
  4. MAINTENANCE SHALL BE PERFORMED AS NEEDED AND MATERIAL REMOVED WHEN "BULGES" DEVELOP IN THE SILT FENCE.
  5. WOOD POSTS TO BE HARDWOOD TYPE (50mm x 50mm).
  6. GEOTEXTILE TO BE EMBEDDED 200mm INTO GROUND.
  7. GEOTEXTILE TO CONFORM TO OPSS 805 STANDARDS.
  8. SILT FENCE MUST BE INSTALLED BEFORE COMMENCEMENT OF CONSTRUCTION AND IN ACCORDANCE WITH DETAIL. SILT FENCE CAN BE REMOVED AFTER LANDSCAPING IS COMPLETE.
  9. SEDIMENTS MUST BE CLEARED AWAY WHEN THEY REACH HALF THE HEIGHT OF THE FENCE.

**CAUTION**  
 THE POSITION OF ALL POLE LINES, CONDUITS, WATERMANS, SEWERS AND OTHER UNDERGROUND AND OVERGROUND UTILITIES AND STRUCTURES IS NOT NECESSARILY SHOWN ON THE CONTRACT DRAWINGS, AND WHERE SHOWN, THE ACCURACY OF THE POSITION OF SUCH UTILITIES AND STRUCTURES IS NOT GUARANTEED. BEFORE STARTING WORK, DETERMINE THE EXACT LOCATION OF ALL SUCH UTILITIES AND STRUCTURES AND ASSUME ALL LIABILITY FOR DAMAGE TO THEM.

File Name: I:\projects\2020\2020-03-13\172 Main Street\2020-03-13\172 Main Street.dwg  
 User: jhughes  
 Date: 2020-03-13 1:11:11 PM  
 Plot: 2020-03-13 1:11:11 PM  
 Plot File: I:\projects\2020\2020-03-13\172 Main Street\2020-03-13\172 Main Street.dwg  
 Plot Style: 2020.ctb  
 Plot Device: HP DesignJet 5000 Series  
 Plot Date: 2020-03-13 1:11:11 PM  
 Plot Time: 0:00:00  
 Plot User: jhughes



**DESIGNED BY**  
 MZG

**REVIEWED BY**  
 BMT

**DEVELOPER**  
 exp Services Inc.  
 1 +1 613 688 1891 | F +1 613 225 7330  
 3000 Greenview Drive, Unit 109  
 Ottawa, ON K2B 9H6  
 Canada  
 www.exp.com

**2503858 ONTARIO INC**  
 894 BUNCHBERRY WAY  
 OTTAWA, ON. K1T 0L6  
 613.915.2591

**exp**

**BUILDINGS • EARTH & ENVIRONMENT • ENERGY • INDUSTRIAL • INFRASTRUCTURE • SUSTAINABILITY •**

<b>DESIGN</b>	MZG
<b>CHECKED</b>	BMT
<b>CAD</b>	MZG
<b>PROJECT MANAGER</b>	BMT
<b>APPROVED</b>	BMT

**172 MAIN STREET**  
 OTTAWA, ONTARIO.

**GRADING PLAN & EROSION SEDIMENT CONTROL**

**PROJECT No.**  
 OTT-00258388-B0

**SURVEY**  
 FSD

**DATE**  
 MARCH 2020

**DRAWING No.**  
 C300