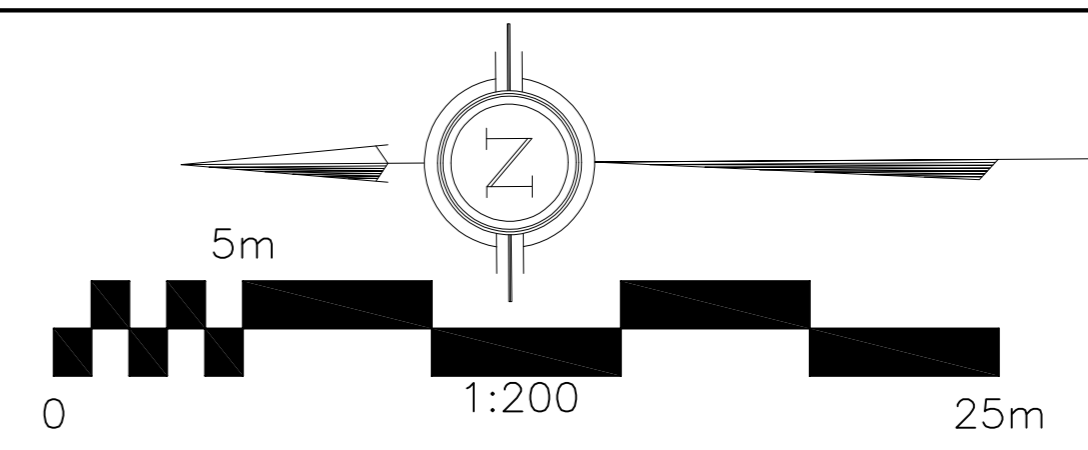
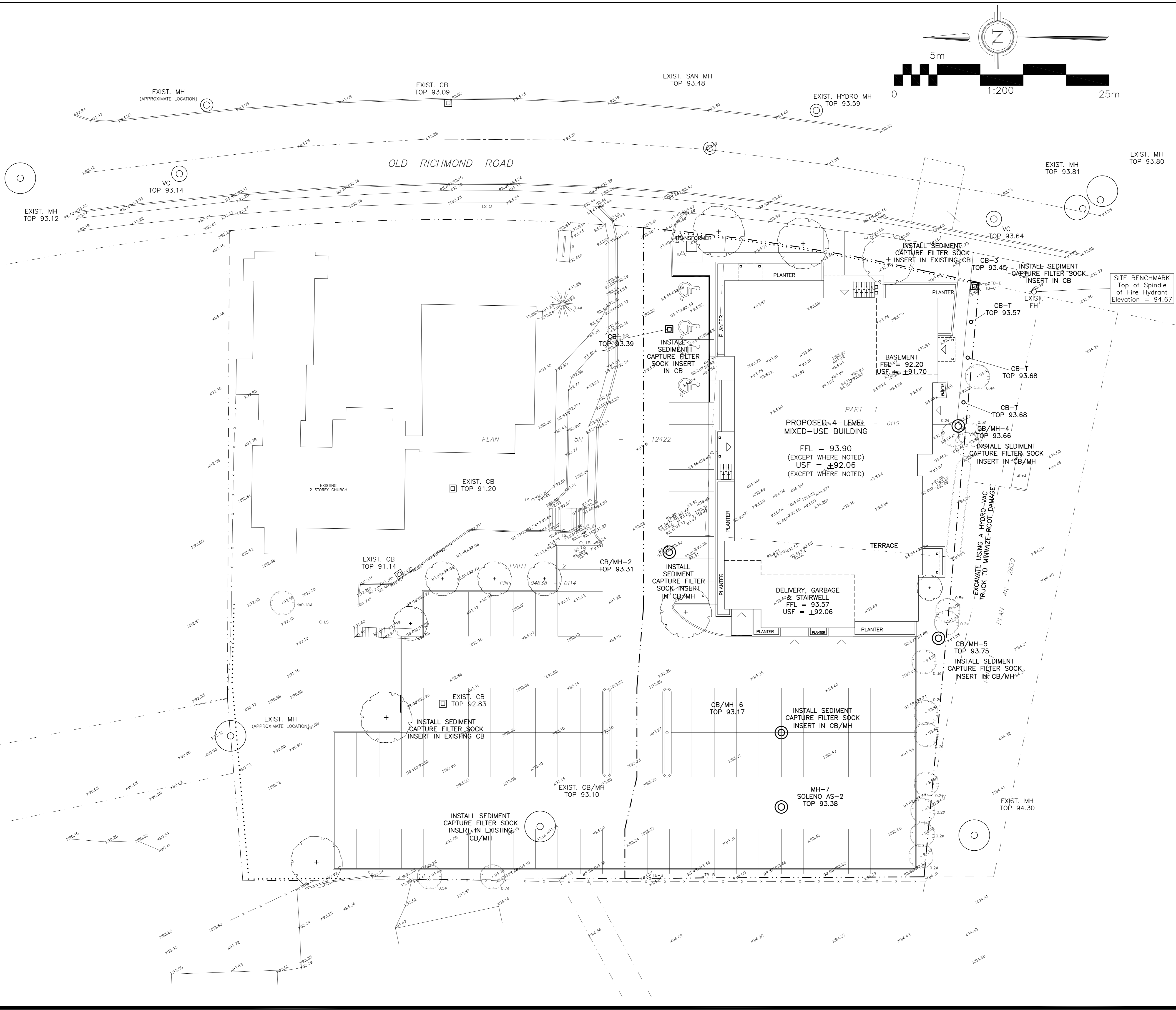
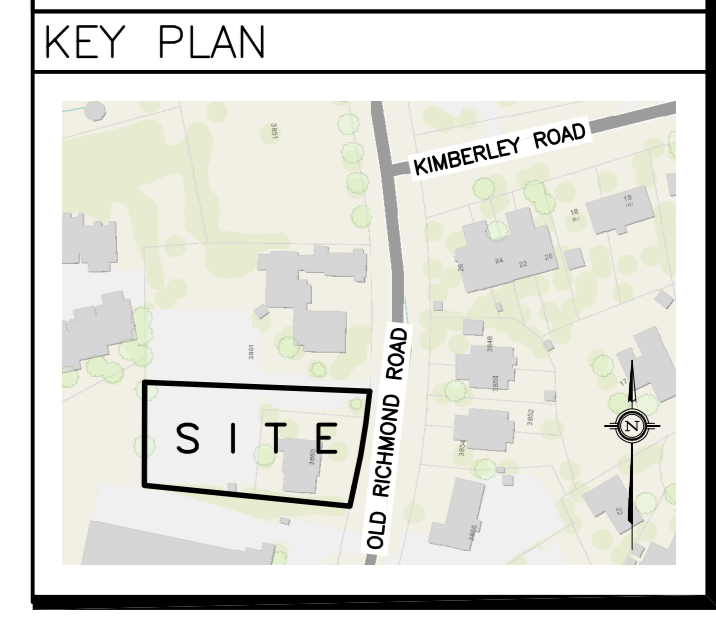


KIMBERLEY ROAD



DRAWING LEGEND

- CB [Symbol] CATCH BASIN
- MH [Symbol] MANHOLE
- CB/MH [Symbol] CATCH BASIN/MANHOLE
- SPL [Symbol] SPRINGLINE OF PIPE
- INV [Symbol] INVERT OF PIPE
- SB [Symbol] SUBDRAINS IN CB
- SB [Symbol] SUBDRAINS IN CB/MH
- SAN [Symbol] SANITARY SEWER
- ST [Symbol] STORM SEWER
- WS/WH [Symbol] WATER SERVICE/WATERMAIN
- CS [Symbol] CURB STOP & STANDPOST
- FH [Symbol] FIRE HYDRANT
- RD [Symbol] ROOF DRAIN
- WM [Symbol] WATER METER
- WM [Symbol] REMOTE WATER METER READOUT
- Y 66.75 [Symbol] EXISTING GRADE ELEVATION
- +66.75 [Symbol] PROPOSED GRADE ELEVATION
- 0.5% [Symbol] EXISTING SLOPE OF GRADE
- 0.5% [Symbol] PROPOSED SLOPE OF GRADE
- OF [Symbol] EMERGENCY OVERLAND FLOW
- B.O.S [Symbol] BOTTOM OF SLOPE
- [Symbol] CENTERLINE OF SWALE
- [Symbol] PROPERTY LINE
- [Symbol] SILT FENCE BARRIER
- D.C. [Symbol] CONC. CURB/DEPRESSED CURB (150mm EXCEPT WHERE NOTED)
- [Symbol] LIGHT-DUTY PAVEMENT
- [Symbol] HEAVY-DUTY PAVEMENT
- FFL [Symbol] FIRST FLOOR ELEVATION
- BFL [Symbol] BASEMENT FLOOR ELEVATION
- USF [Symbol] UNDERSIDE OF FOOTING

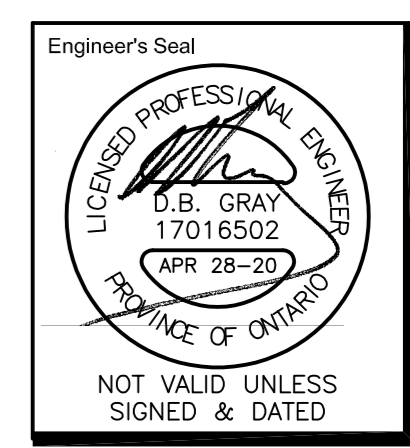


No.	DATE	REVISION
2	APR 28-20	ISSUED FOR APPROVAL
1	APR 22-20	ISSUED FOR COORDINATION

D. B. GRAY ENGINEERING INC.
Stormwater Management - Grading & Drainage - Storm & Sanitary Sewers - Watermain
 700 Long Point Circle 613-425-8044
 Ottawa, Ontario d.gray@dbgrayengineering.com

Project
PROPOSED 3 STOREY MIXED USE BUILDING
 3865 OLD RICHMOND ROAD
 OTTAWA, ONTARIO

Drawing Title
EROSION & SEDIMENT CONTROL PLAN



Engineer's Seal
 Drawn: D.B.G.
 Hor. Scale: 1:200
 Vert. Scale:
 Date: APR 22-20
 Job No.: 19022
 Drawing No.:
C-4
 of 6