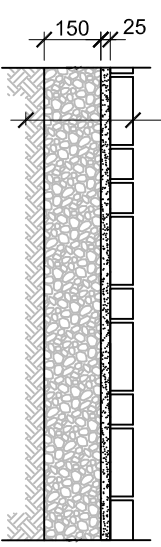
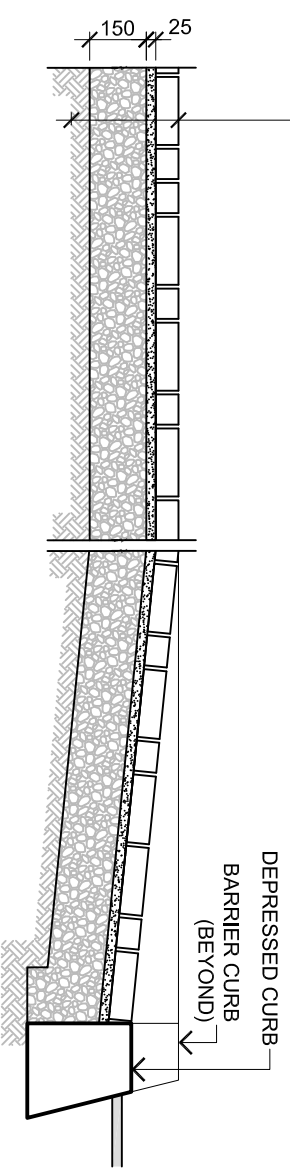


1a  
UNIT PAVING  
NTS



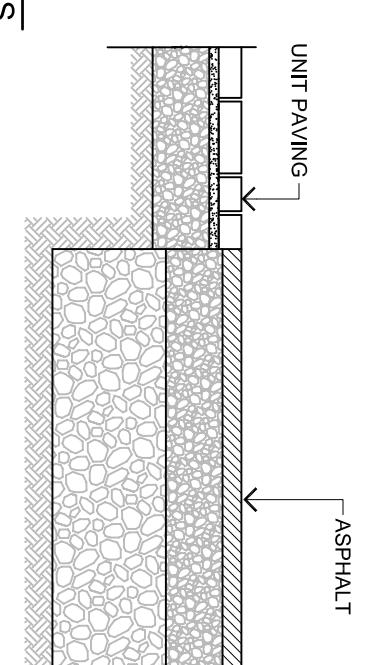
1a  
UNIT PAVING  
NTS

1b  
UNIT PAVING/  
CURB SECTION  
NTS

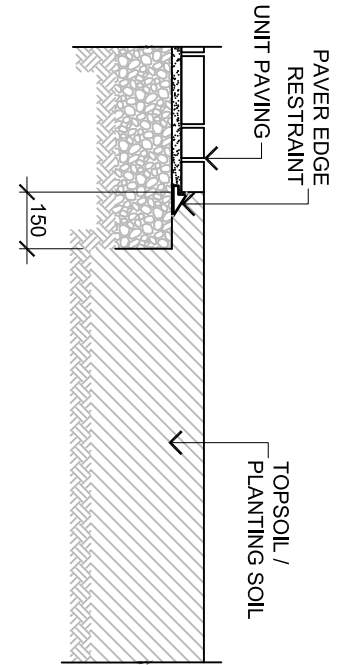


1b  
UNIT PAVING/  
CURB SECTION  
NTS

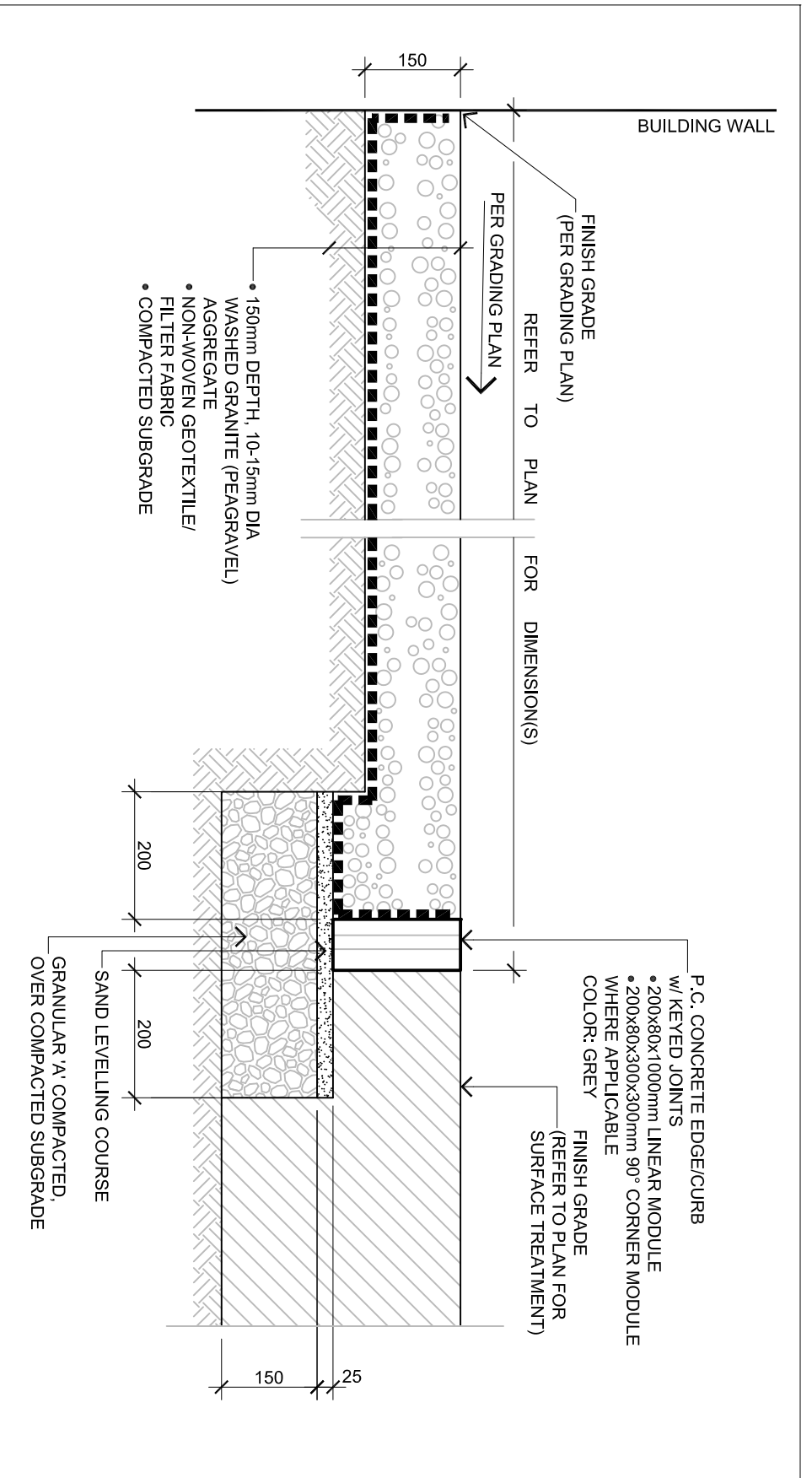
1c  
UNIT PAVING/  
ASPHALT  
NTS



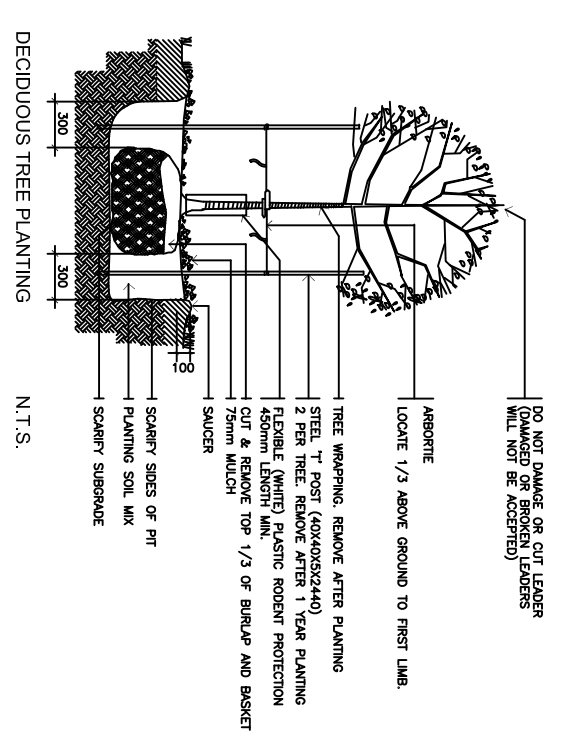
1d  
UNIT PAVING/  
SOD/PLANTING SECTION  
NTS



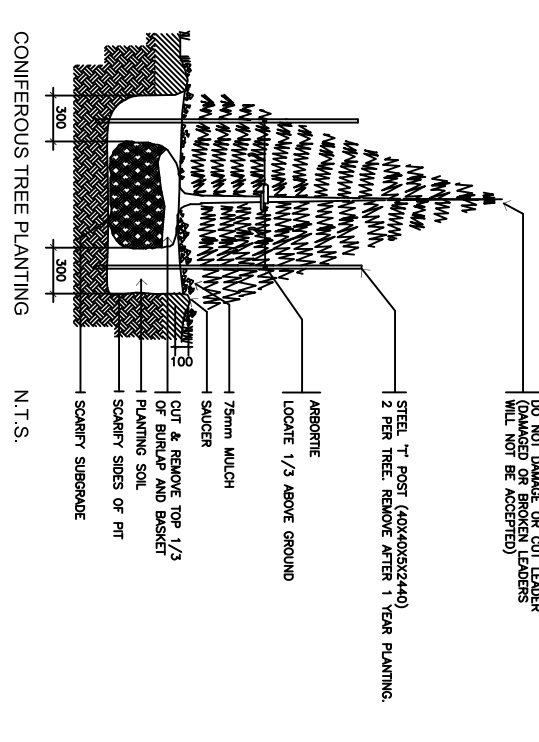
1  
UNIT PAVING DETAILS  
NTS



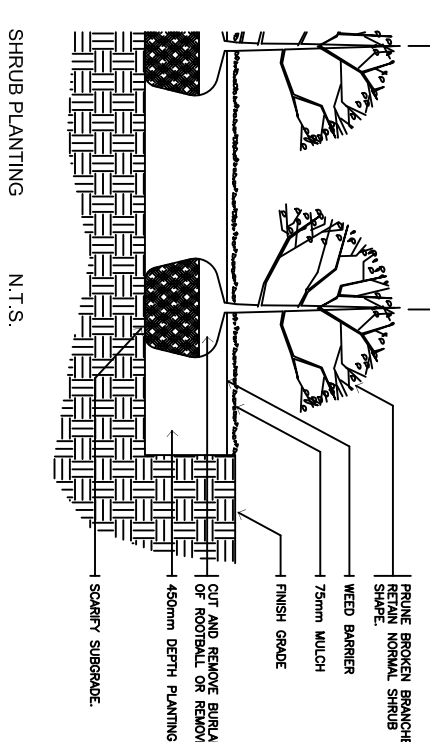
2  
MAINTENANCE STRIP w/ EDGE SECTION  
NTS



NTS

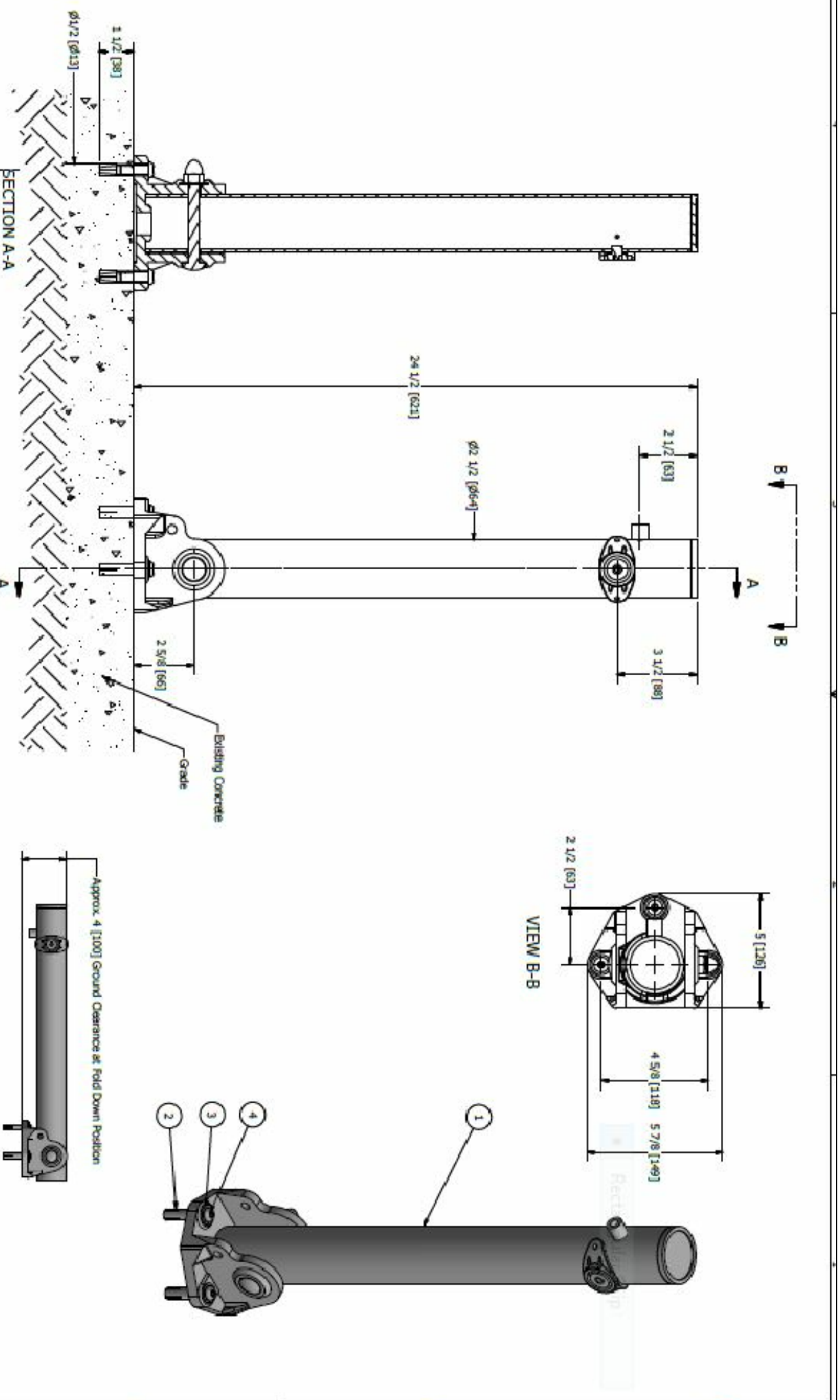


NTS



NTS

3  
PLANTING DETAILS  
NTS



NTS

ITEM	QTY	UNIT	DESCRIPTION	REMARKS
1	1	EA	FOLD DOWN BOLLARD	
2	1	EA	ANCHOR BOLT 1/2" DIA. X 12" L	
3	1	EA	WASHER 1/2" DIA. X 12" L	
4	1	EA	NUT 1/2" DIA. X 12" L	

4  
FOLD DOWN BOLLARD  
NTS

NOT FOR CONSTRUCTION

NO.	DATE	REVISION
09	DEC. 31/19	PER CITY COMMENTS (1) - PHASE 2
08	SEPT. 13/19	ISSUE FOR SITE PLAN APPROVAL - PHASE 2
07	JAN. 14/19	ISSUE FOR PHASE 3 SPA
06	DEC. 11/18	ISSUE FOR PHASE 2 SPA
05	AUG. 31/18	PER CITY COMMENTS (4)
04	JULY 27/18	ISSUED FOR SITE PLAN APPROVAL
03	MAR. 23/18	PER CITY COMMENTS (2)
02	NOV. 23/17	PER CITY COMMENTS (1) / REVISED SITE
01	JUNE 12/17	ISSUE FOR SPA



Contractor shall check and verify all dimensions on site and report all errors and/or omissions to the Consultant.  
Work to be done in accordance with all applicable codes and by-laws.  
Do not scale Drawing.  
This Drawing shall not be used for construction until signed by the Consultant.  
Copyright reserved. This Drawing is the exclusive property of Levstek Consultants Inc. and shall not be used without consent.

Consultant  
**LEVSTEK CONSULTANTS INC.**  
A. N. D. S. C. A. P. E. R. S. N. C. H. I. T. E. C. I. S.  
5871 HIGH CRESTWAY - OTTAWA, ONTARIO - K2A 2W8  
437 - 525 - 9518



Project  
**FRESH TOWNS**  
2795 BASELINE ROAD  
PHASE 2  
OTTAWA ONTARIO

Drawing Title  
**LANDSCAPE DETAILS**

Drawn	DATE	Drawing No.
MGB	SEPT. 2018	L2.01
Scale	Project No.	
AS NOTED	1130.03	