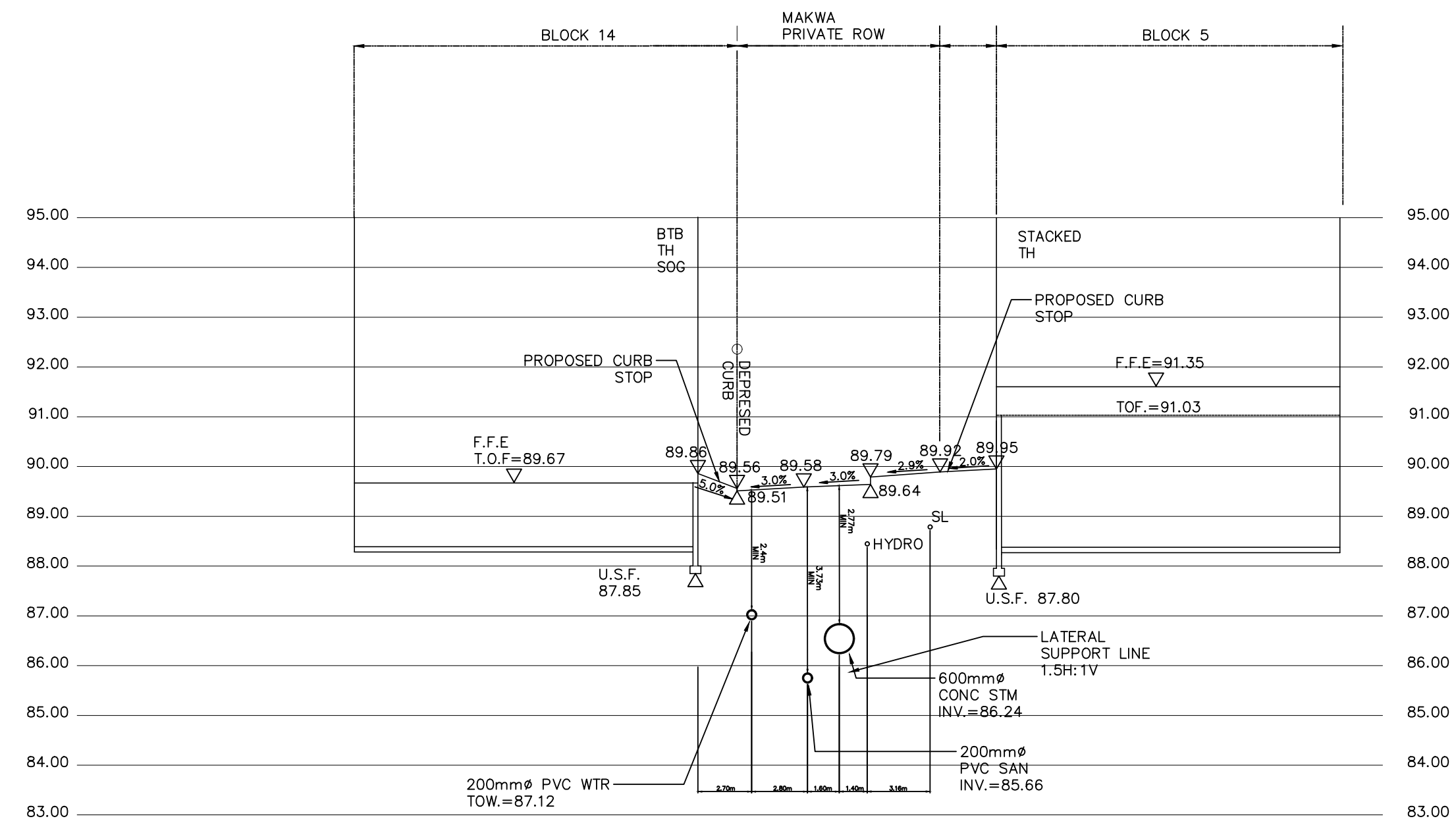
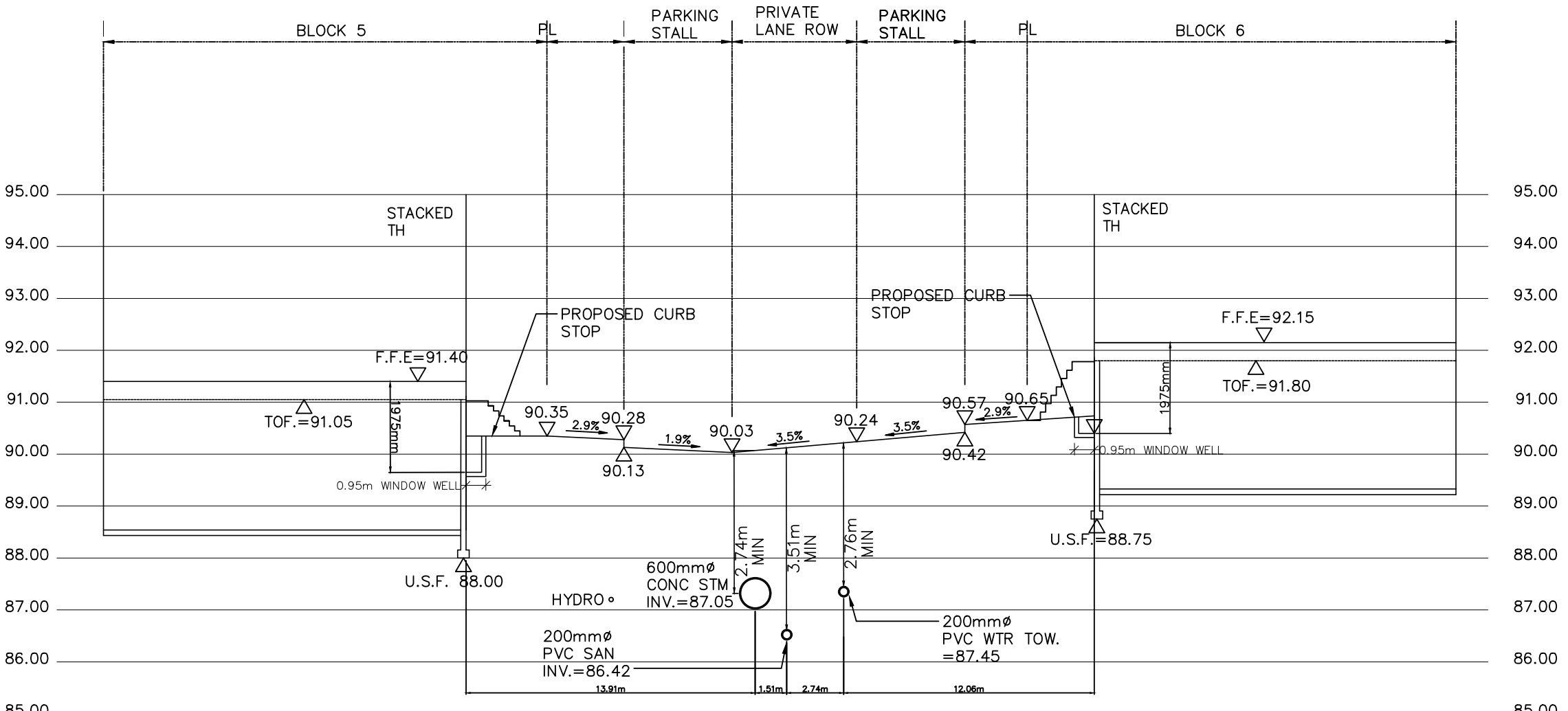


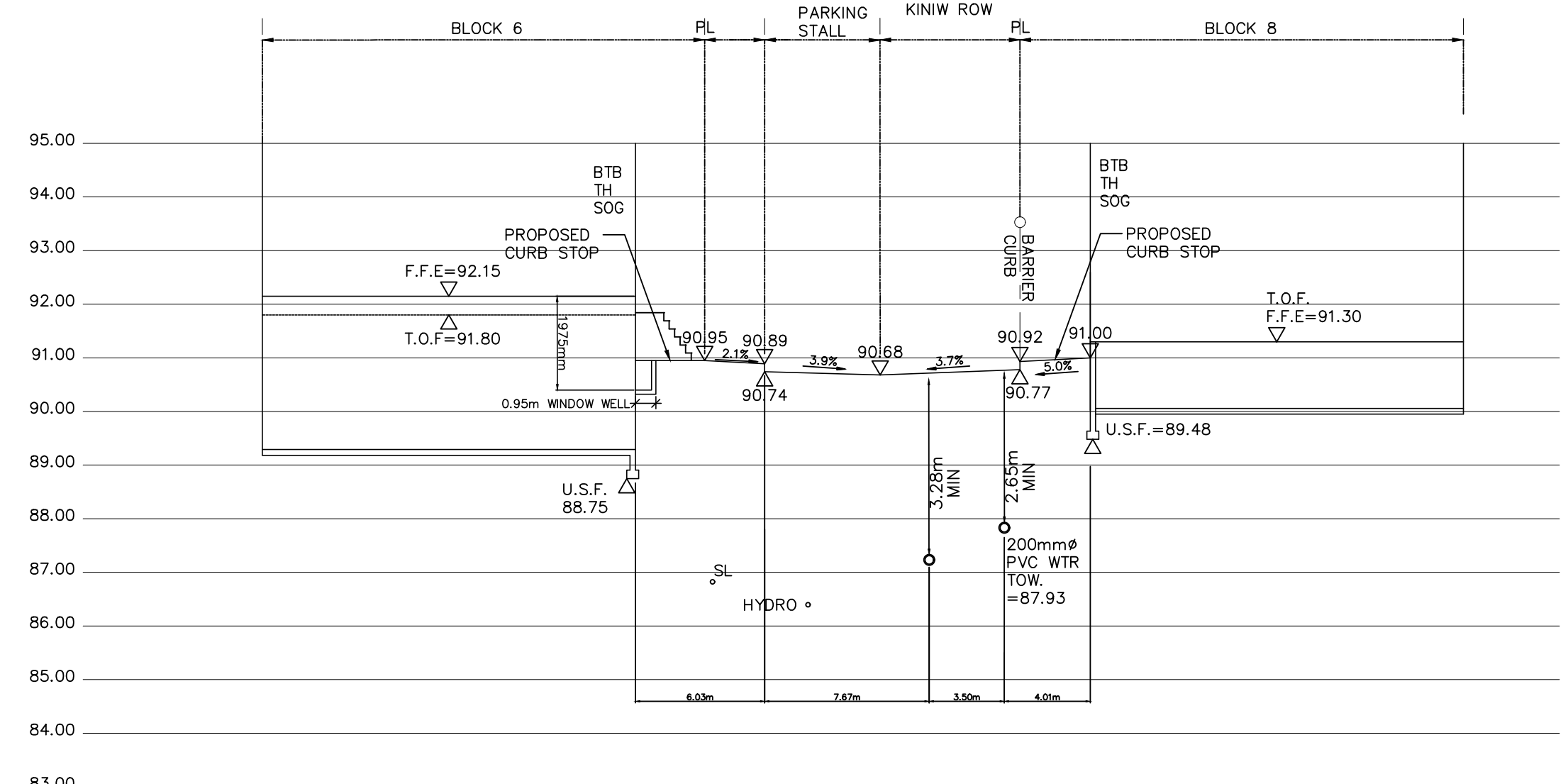
SECTION A-A
SCALE HOR. 1:250
VER. 1:100



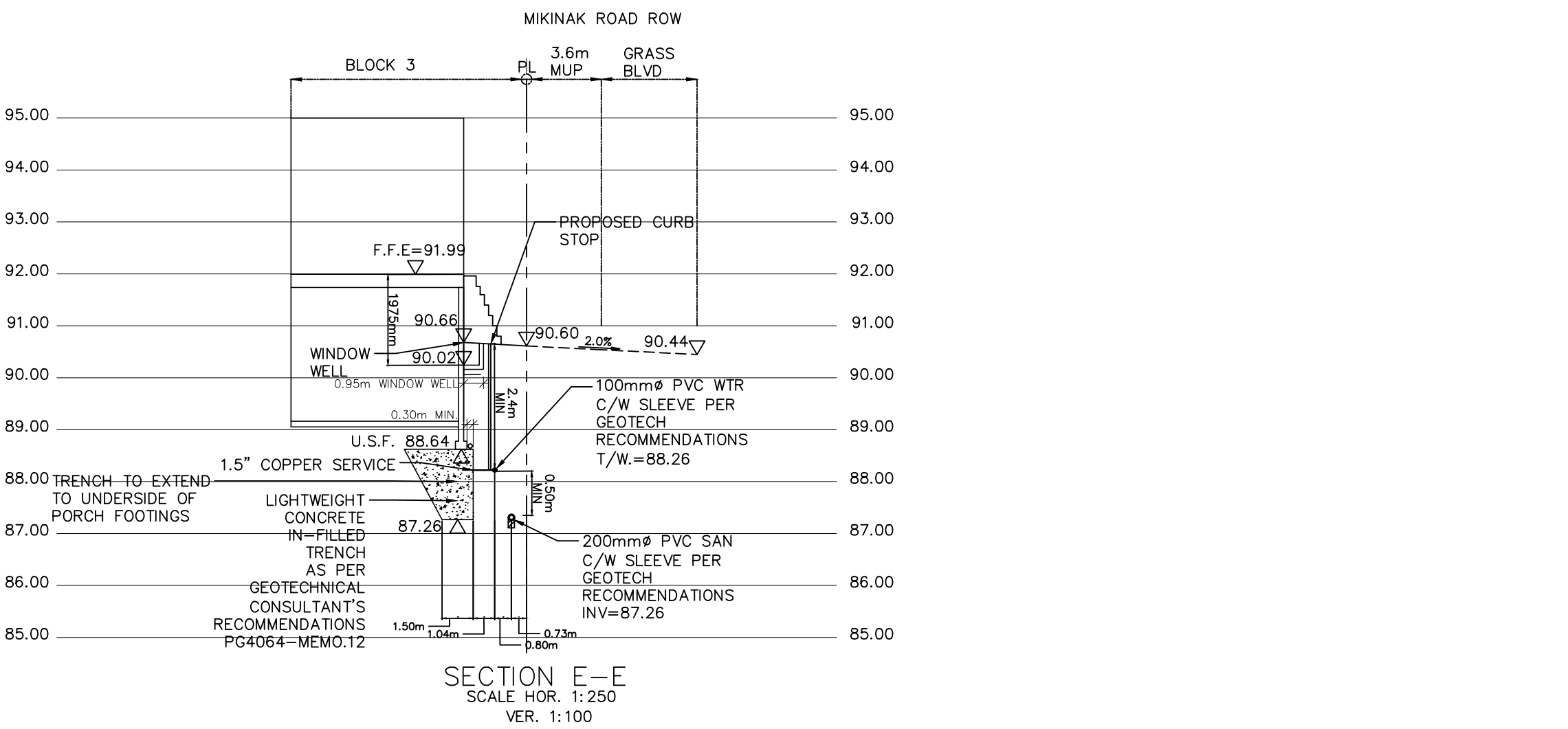
SECTION B-B
SCALE HOR. 1:250
VER. 1:100



SECTION C-C
SCALE HOR. 1:250
VER. 1:100



SECTION D-D
SCALE HOR. 1:250
VER. 1:100



SECTION E-E
SCALE HOR. 1:250
VER. 1:100

NOTE:
ADDITIONAL RECOMMENDATIONS FROM PATERSON PG4064-MEMO.12

- STEP 1- UPON COMPLETION OF THE SERVICE PLACEMENT, A WORKABLE, BROWN SILTY CLAY BACKFILL PLACED UNDER DRY CONDITIONS AND APPROVED BY THE GEOTECHNICAL CONSULTANT AT THE TIME OF PLACEMENT IS CONSIDERED ACCEPTABLE FOR REUSE. THE SILTY CLAY BACKFILL SHOULD BE PLACED IN MAXIMUM 300 mm LOOSE LIFTS AND COMPACTED USING A SHEEPSFOOT ROLLER MAKING SEVERAL PASSES TO ACHIEVE A MINIMUM OF 95% OF ITS SPMD.
- STEP 2- AT THE TIME OF HOUSE CONSTRUCTION, A LIGHTWEIGHT CONCRETE IN-FILLED TRENCH SHOULD BE SUB-EXCAVATED BELOW FOOTING LEVEL WITHIN THE AREAS DESCRIBED ABOVE. THE CONCRETE IN-FILLED TRENCH SHOULD EXTEND TO THE ABOVE NOTED ELEVATIONS OF THE ADJACENT SECTIONS OF PIPE. THE NEAR VERTICAL, ZERO ENTRY TRENCH SHOULD EXTEND HORIZONTALLY AT LEAST 300 mm BEYOND THE FOOTING FACE. THE TRENCH SHOULD BE IN-FILLED WITH A LIGHTWEIGHT CONCRETE, SUCH AS A STRUCTURAL LIGHTWEIGHT AGGREGATE CONCRETE OR POLYSTYRENE LIGHTWEIGHT FILL, TO UNDERSIDE OF FOOTING LEVEL.
- THE RECOMMENDED SUB-EXCAVATED TRENCH SHOULD EXTEND BELOW THE FOOTINGS WHICH ARE DIRECTLY ADJACENT TO THE SERVICE TRENCHES AND ADJACENT BUILDING FOUNDATION WALLS. THE TRENCH SHOULD EXTEND AT LEAST 1.5 m HORIZONTALLY BELOW THE FOUNDATION WALLS RUNNING PERPENDICULAR TO THE SERVICE PIPES AND BE STEPPED WITH MAXIMUM 600 mm HIGH STEPS BACK UP TO DESIGN UNDERSIDE OF FOOTING.
- PATERSON PERSONNEL SHOULD COMPLETE INSPECTIONS AT THE TIME OF CONSTRUCTION.

NOT FOR CONSTRUCTION

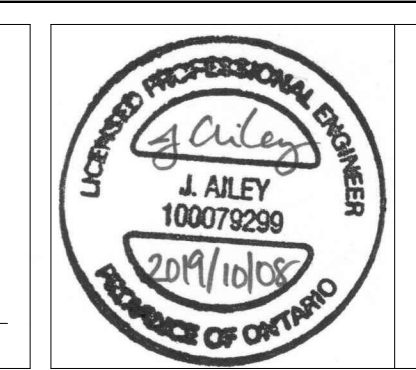
SITE PLAN INFORMATION
SITE PLAN PROVIDED BY KORSIAK URBAN PLANNING
DATED OCTOBER 4, 2019

GEOTECHNICAL STUDY
GEOTECHNICAL RECOMMENDATIONS PROVIDED BY PATERSON GROUP INC.
PROJ. NO. PG4064-2
DATED JUNE 25, 2019

BENCH MARK
ELEVATIONS ARE GEODETIC, REFERRED TO CITY OF OTTAWA VERTICAL BENCHMARK NO. 396
ELEV= 95.06 METERS

SITE SERVING AND STORMWATER MANAGEMENT STUDY
SERVING AND STORMWATER MANAGEMENT RECOMMENDATIONS PROVIDED BY DSEL
PROJ. NO. 17-946
DATED OCTOBER 2019

No.	BY	DATE	DESCRIPTION
3	G.G.G.	19.10.08	ISSUED FOR MUNICIPAL REVIEW
2	G.G.G.	19.06.28	ISSUED FOR MUNICIPAL REVIEW
1	S.L.M.	19.02.01	ISSUED FOR MUNICIPAL REVIEW



PROJECT No. 17-946

**CROSS SECTION
WATERIDGE - BLOCK 15
245 SQUADRON CRESCENT**

MATTAMY HOMES
50 Hines Road, Suite 100
Ottawa, Ontario, K2K 2M5
Tel. (613) 831-5144

DSEL
david schaeffer engineering ltd
120 Iber Road Unit 103
Stittsville, Ontario, K2S 1E9
Tel. (613) 836-0856
Fax. (613) 836-7183
www.DSEL.ca

DRAWN BY:	B.N.C.	CHECKED BY:	S.L.M.	DRAWING NO.	SHEET NO.
DESIGNED BY:	B.N.C.	CHECKED BY:	S.L.M.	DS-3	13 of 13
SCALE:	AS SHOWN	DATE:	FEBRUARY 2019		