



1 GRADING PLAN  
C1 SCALE= 1:200

**BEST MANAGEMENT PRACTICES**

THE CONTRACTOR SHALL IMPLEMENT BEST MANAGEMENT PRACTICES TO PROVIDE FOR PROTECTION OF THE AREA DRAINAGE SYSTEM AND THE RECEIVING WATER COURSE DURING CONSTRUCTION ACTIVITIES.

THE CONTRACTOR ACKNOWLEDGES THAT FAILURE TO IMPLEMENT APPROPRIATE EROSION AND SEDIMENT CONTROL MEASURES MAY BE SUBJECT TO PENALTIES IMPOSED BY ANY APPLICABLE REGULATORY AGENCY.

EROSION AND SEDIMENTATION SHOULD BE CONTROLLED BY THE FOLLOWING TECHNIQUES:

INSTALL SILTSACK FILTER SOCKS FROM TERRAFIX, OR APPROVED ALTERNATIVE, BETWEEN FRAME AND COVER ON ALL PROPOSED CATCH BASINS AND CATCH BASIN MANHOLES AND ON ALL EXISTING CATCH BASINS THAT WILL RECEIVE RUN-OFF FROM THE WORK SITE. PROVIDE SILT FENCE AS PER OPSD 219.110 ALONG SOUTH PROPERTY LINE AND ALONG SOUTH HALF OF EAST PROPERTY LINE. MINIMIZE DURATION OF EXPOSED SOILS.

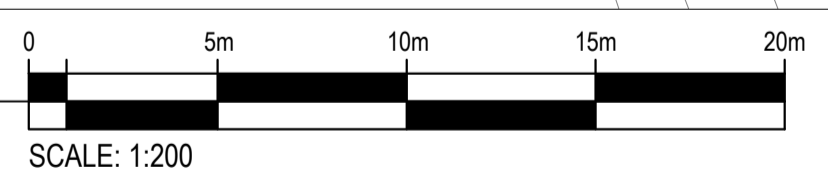
MAINTAIN ALL SEC MEASURES THROUGHOUT THE CONSTRUCTION PERIOD AND REMOVE UPON ESTABLISHMENT OF GRASS AND COMPLETION OF CONSTRUCTION.

FOR TRENCH DEWATERING, DIRECT PUMP DISCHARGE TO A FILTER TRAP CONSTRUCTED OF GEOTEXTILES AND STRAW BALES SIMILAR TO OPSD 219.240 - DEWATERING TRAP. FILTER GROUNDWATER COLLECTED PRIOR TO DISCHARGE FROM SITE.

MINIMIZE AREA OF DISTURBED SOIL BY STAGING CLEARING AND GRUBBING WORK. PREVENT RUNOFF FROM FLOWING ACROSS DISTURBED AREAS. PLACE REQUIRED FILL MATERIALS AND PERMANENT SURFACE FINISH AS SOON AS POSSIBLE FOLLOWING SITE CLEARING. ENSURE ALL DISTURBED AREAS ARE STABILIZED. PROVIDE TEMPORARY SEEDING, MULCHING OR COVER OF DISTURBED AREAS AND TOPSOIL STOCK PILES IF SUCH LOCATIONS ARE TO REMAIN UNSTABILIZED FOR PERIODS EXCEEDING TWO MONTHS.

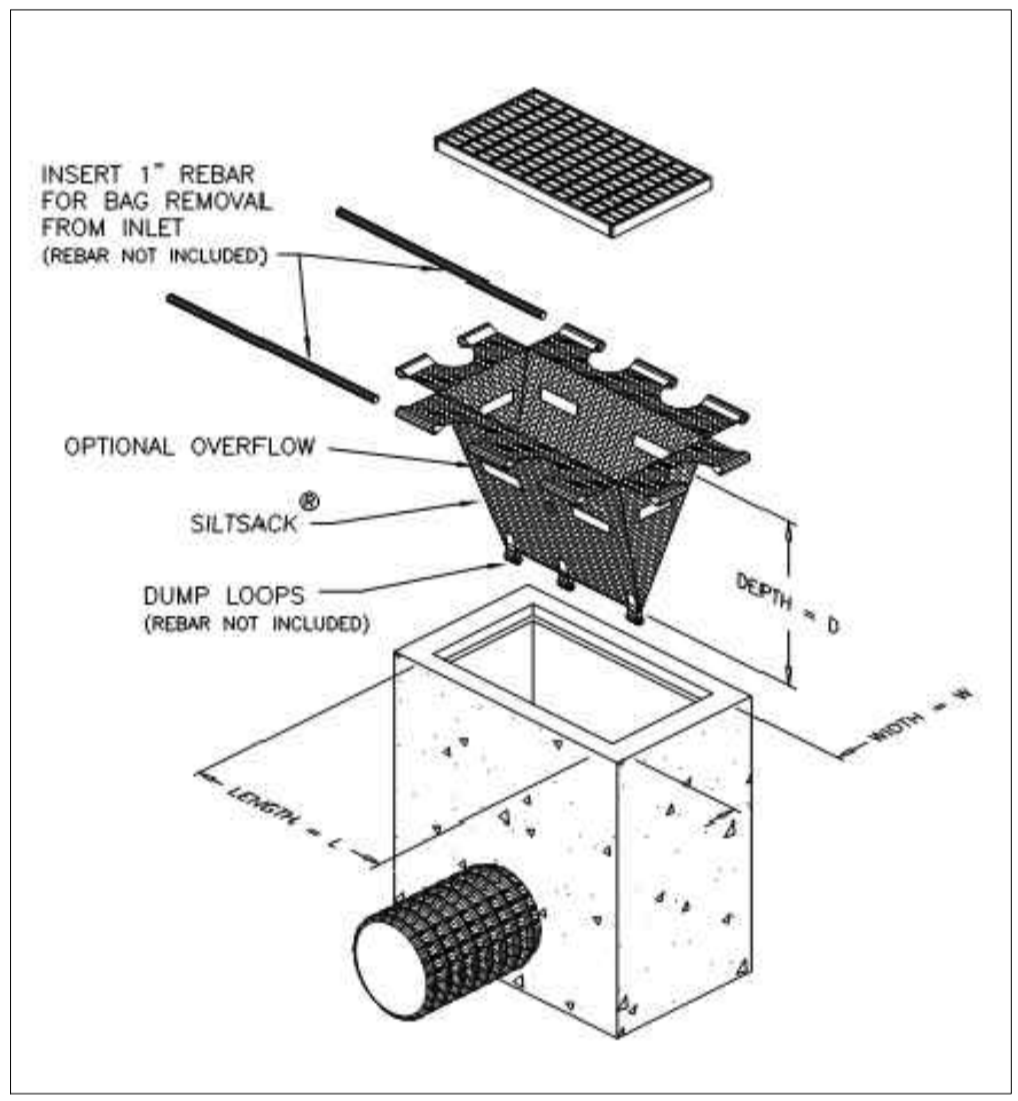
**GENERAL NOTES:**

- ALL WORK TO BE COORDINATED WITH OTHER PLANS FOR THIS SITE. REFER TO M AND E DRAWINGS FOR GAS, ELECTRICAL, PLUMBING AND COMMUNICATION SERVICES. ARCHITECTURAL SITE PLAN TO BE USED FOR SITE LAYOUT AND PHASING. ARCHITECTURAL DRAWINGS AND SPECIFICATIONS PROVIDE THE LOCATIONS FOR THE SURFACE FINISHES. REFER TO LANDSCAPE DRAWINGS FOR PLANTING PLANS AND CONCRETE PAVERS REQUIREMENTS.
- VERIFY THAT JOB BENCHMARKS HAVE NOT BEEN ALTERED OR DISTURBED AND THAT THEIR RELATIVE ELEVATION AND DESCRIPTION AGREE WITH THE INFORMATION SHOWN ON THE DRAWINGS. REFER TO SURVEY PLAN FOR EXISTING CONDITIONS.
- LOCATION OF SERVICES, CHAMBERS, UTILITIES AND ALL UNDERGROUND WORKS ARE APPROXIMATE. CONTRACTOR TO VERIFY LOCATION AND ELEVATION OF ALL SERVICES, UTILITIES, AND UNDERGROUND STRUCTURES PRIOR TO ANY CONSTRUCTION. CONTRACTOR IS RESPONSIBLE FOR PROTECTION AND REINSTATEMENT.
- THE CONTRACTOR IS RESPONSIBLE FOR ALL REMOVALS NECESSARY TO SATISFY ENGINEERING WORKS.
- CONFORM TO RECOMMENDATIONS OF GEOTECHNICAL REPORT, INCLUDING REQUIREMENTS FOR DEWATERING SYSTEMS. PROVIDE ENGINEERING SHOP DRAWINGS FOR REVIEW AND APPROVAL BY THE OWNER'S GEOTECHNICAL ENGINEER FOR DEWATERING SYSTEMS. OBTAIN A PERMIT TO TAKE WATER FROM THE ONTARIO MINISTRY OF THE ENVIRONMENT, CONSERVATION AND PARKS IF THE QUANTITY OF GROUND AND SURFACE WATER TO BE PUMPED WILL EXCEED 400,000 LITRES PER DAY.
- CONTRACTOR RESPONSIBLE FOR OBTAINING ROAD CUT PERMIT, AND PROVIDING ALL ASSOCIATED TRAFFIC CONTROL. CONTRACTOR TO RECORD VERTICAL AND HORIZONTAL LOCATION OF ALL UNDERGROUND WORKS FOR RECORD DRAWINGS.
- CONTRACTOR TO PROVIDE POST CONSTRUCTION TOPOGRAPHIC SURVEY COMPLETED BY OLS OR PROFESSIONAL ENGINEER CONFIRMING COMPLIANCE WITH GRADING AND SERVICES DESIGN.



**LEGEND**

+ 79.81	EXISTING GRADE ELEVATION
CB	EXISTING STORM CATCHBASIN
MH-ST	EXISTING STORM MANHOLE
MH-S	EXISTING SANITARY MANHOLE
ST	EXISTING STORM SEWER
S	EXISTING SANITARY SEWER
W	EXISTING WATERMAIN
x 81.43	PROPOSED GRADE ELEVATION
x 79.98TC	PROPOSED TOP & BOTTOM OF CURB
x TG80.42	PROPOSED TOP OF GRATE
x 80.50TW	PROPOSED TOP OF WALL
x 80.55(S)	PROPOSED SWALE ELEVATION
-3%	PROPOSED GRADE SLOPE
3H:1V	PROPOSED 3H:1V TERRACE SLOPE
W	PROPOSED WATER SERVICE
SAN	PROPOSED SANITARY SEWER
STM	PROPOSED STORM SEWER
STM MH1	PROPOSED STORM MANHOLE
CB1	PROPOSED STORM CATCHBASIN
LCB1	PROPOSED LANDSCAPE CATCHBASIN
SAN MH1	PROPOSED SANITARY MANHOLE
VB	PROPOSED VALVE AND BOX
△	PROPOSED REDUCER
FH	PROPOSED FIRE HYDRANT
⋈	PROPOSED FIRE DEPARTMENT CONNECTION
Ⓜ	REMOTE WATER METER READER
Ⓜ	WATER METER LOCATION



2 SILTSACK DETAIL  
C1 SCALE= N/A

**PAVEMENT DESIGN**  
(REFER TO GEOTECHNICAL REPORT:PG-4883-1  
PROVIDED BY PATERSON GROUP  
DATED APRIL 30, 2019 FOR SITE PAVEMENT DESIGN RECOMMENDATIONS.)

**Table No. III: Recommended Pavement Structure Thicknesses for Running Tracks, Playground, Light & Heavy Duty Pavement**

Pavement Layer	Compaction Requirements	Pavement Structure		
		Asphalt Paths (Including MUP)	Car Only Parking Areas	Access Lane and Heavy Truck Parking Areas
Asphaltic Concrete (PG 58-34)	92-96% MRD	50mm HL3 FINE	50mm SC	40mm SC 50mm BC
Stone Dust	100% SPMD	-	-	-
OPSS 1010 Granular 'A' Base (crushed limestone)	100% SPMD*	150mm	150mm	150mm
OPSS 1010 Granular 'B' II Sub-Base	100% SPMD**	300mm	300mm	450mm
Subgrade	Engineered Fill/Approved Fill as per specifications or Native Subgrade Material			

**Notes:**  
\*SPMD denotes standard Proctor maximum dry density, ASTM, D-698.  
MRD denotes Maximum Relative Density, ASTM D2041.  
The upper 300mm of the subgrade fill must be compacted to 98% SPMD.  
SC Denotes Surface course asphalt and may comprise of Marshall HL3 Mix or SP 12.5mm (Cat C) Superpave Mix.  
BC Denotes Base course asphalt and may comprise of Marshall HL8 Mix or SP 19mm (Cat C) Superpave Mix.



300-2611 QUEENSWAY DRIVE  
OTTAWA ONTARIO CANADA K2B 8K2  
TEL: 1-613-829-2800 | FAX: 1-613-829-8299 | WWW.WSPGROUP.COM  
PROJECT No.: 191-03236-00

**CLIENT**

DEVELOPER:  
CANOE BAY DEVELOPMENT INC.  
51 CORTLEIGH DRIVE, OTTAWA,  
ONTARIO K2J 3Z8  
613-447-0208

OWNER:  
ANDREW FLECK CHILD SERVICES



NORTH / NORD    SEAL / SCEAU

8		
7		
6		
5		
4	REVISED PER SITE PLAN CHANGES	2019-07-31
3	REVISED PER SITE PLAN CHANGES	2019-07-26
2	REVISED PER CITY COMMENTS	2019-07-23
1	ISSUED FOR SITE PLAN APPLICATION	2019-05-10
No.	↑ ISSUE NOTES ↑	DATE
No.	↓ REVISION NOTES ↓	DATE
1	??	??
2		
3		
4		
5		
6		
7		
8		

This drawing is the sole property of WSP. Reproduction is not permitted. Only stamped, signed and dated copies of this drawing can be used for construction. Drawings shall be read in conjunction with other project drawings.

This drawing is not to be scaled. Contractor shall check & verify any discrepancies with WSP prior to proceeding with the work.

Contractor must comply with the requirements of applicable codes, bylaws and other authorities having jurisdiction.

Electronic versions of this drawing shall not be used without written permission.

**PROJECT NAME** / NOM DU PROJET

RIVERSIDE PARK  
EARLY LEARNING CENTRE  
2826 SPRINGLAND DRIVE  
OTTAWA, ONTARIO

**DRAWING TITLE** / TITRE DU DESSIN

GRADING PLAN  
SEDIMENT AND EROSION CONTROL

**INFORMATION**

Designed by:	JJ
Drawn by:	BN
Reviewed by:	JJ
Approved by:	JJ
Scale:	AS SHOWN
Date:	2019-03-22
Project No.:	191-03236-00
Client Plan#:	NA

**SHEET No.** / No. PAGE

C1

FILENAME: P:\2019 Projects\191-03236-00\_Riverside Park NS - New Dynamic Center\Civil Drawings\Working drawings\Sheet191-03236-00\_C.dwg  
DATE: 2019-03-22 11:58:00 AM  
DRAWN BY: BN

D07-12-19-0081