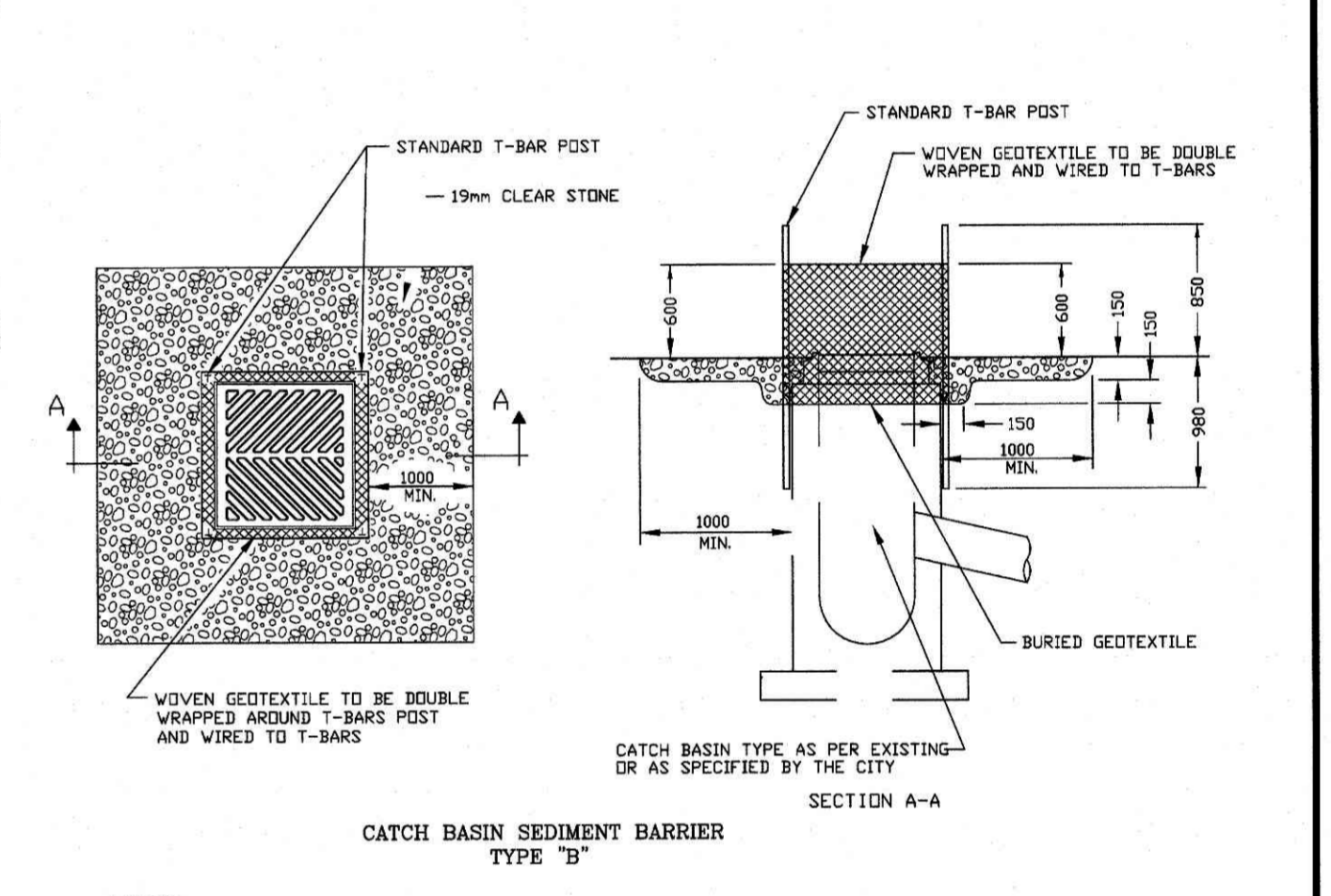
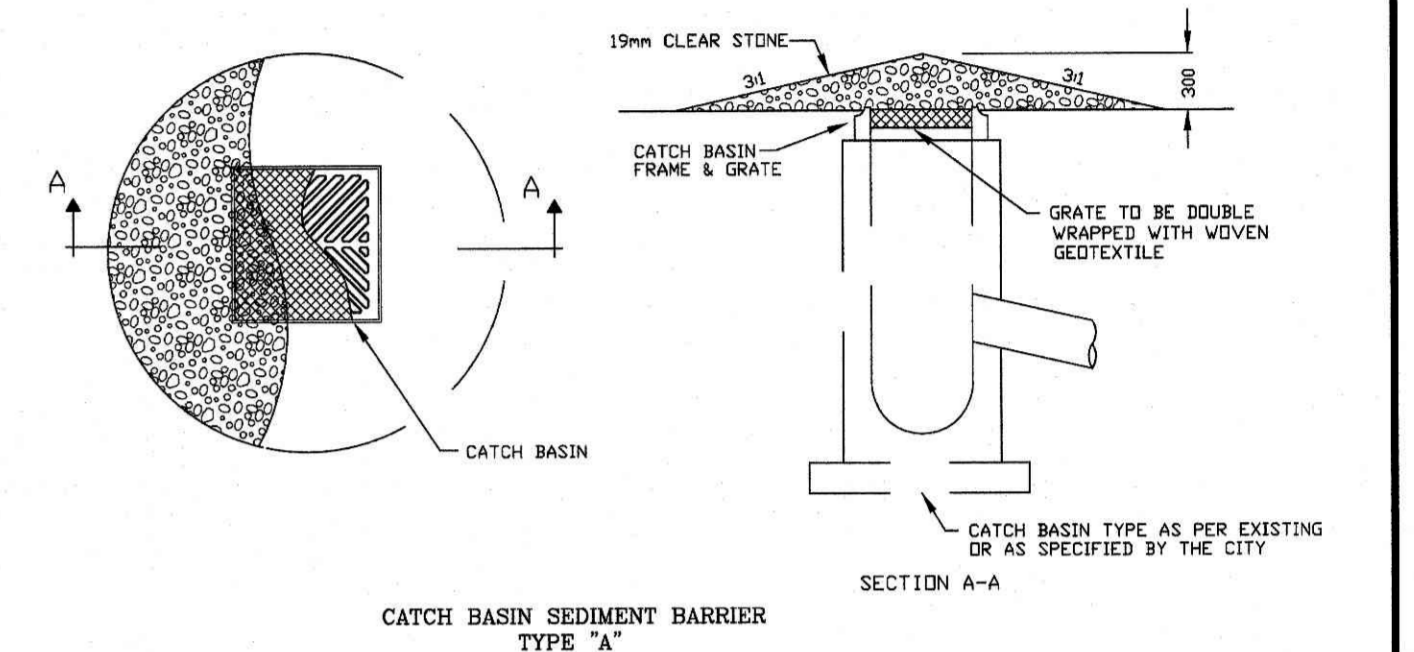
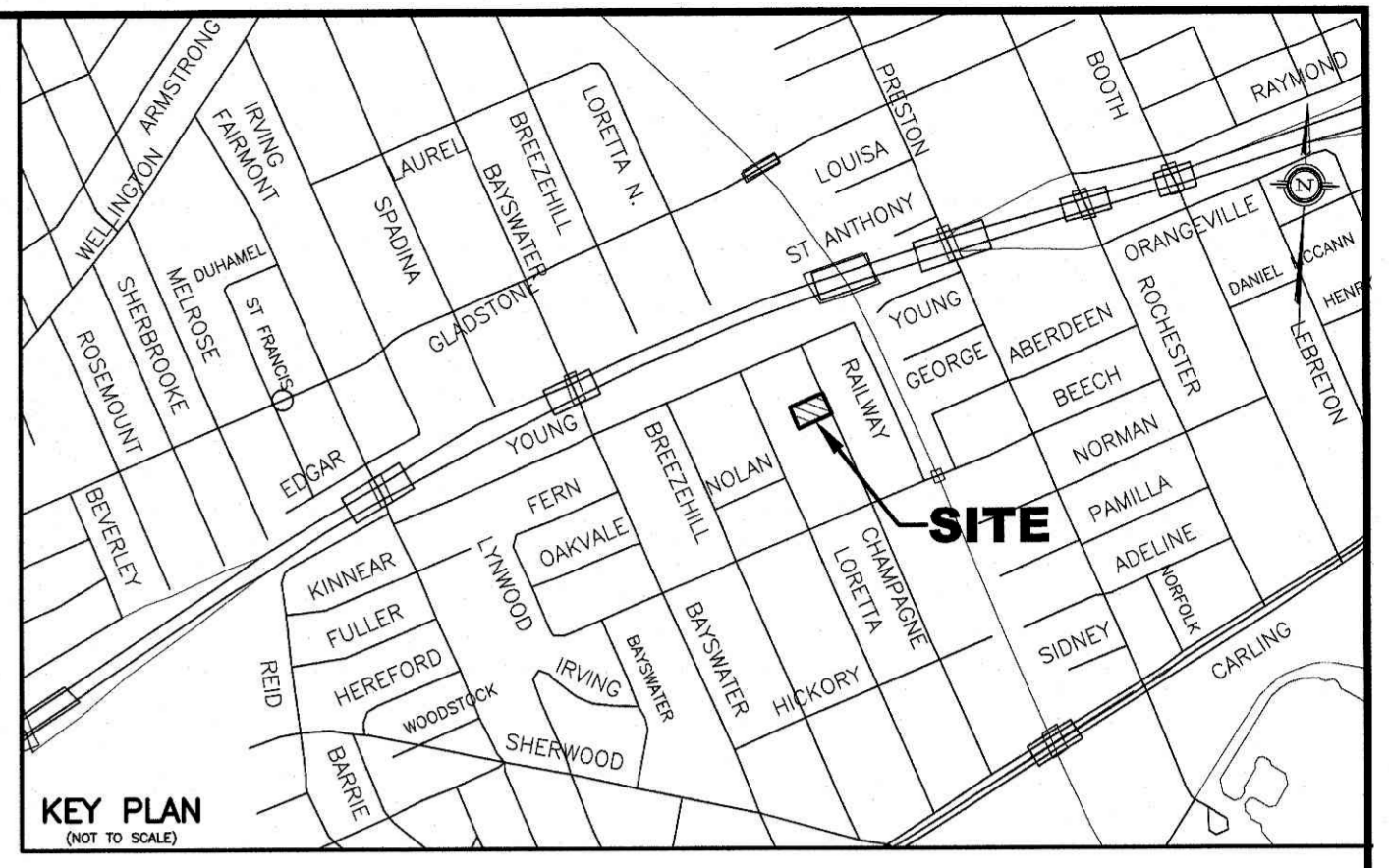


**EROSION AND SEDIMENT CONTROL NOTES**

- BEST MANAGEMENT PRACTICES**
- EROSION AND SEDIMENT CONTROLS (BEST MANAGEMENT PRACTICES) SHALL BE PROVIDED DURING CONSTRUCTION OF THIS PROJECT. EROSION MUST BE MINIMIZED AND SEDIMENTS MUST BE REMOVED FROM CONSTRUCTION SITE RUNOFF IN ORDER TO PROTECT DOWNSTREAM AREAS. DURING ALL CONSTRUCTION, EROSION AND SEDIMENTATION SHOULD BE CONTROLLED BY THE FOLLOWING TECHNIQUES:
1. MINIMIZE THE EXTENT OF EXPOSED SOILS.
  2. MINIMIZE THE AREA TO BE CLEARED AND GRUBBED.
  3. PROTECT EXPOSED SLOPES WITH PLASTIC OR SYNTHETIC MULCHES.
  4. INSTALL FILTER CLOTH BETWEEN FRAME AND COVER ON ALL PROPOSED CATCH BASINS AND CATCH BASIN MANHOLES AND ON ALL EXISTING CATCH BASINS THAT WILL RECEIVE RUNOFF FROM THE SITE. THE SOUTH NATION CONSERVATION AUTHORITY (SNCA) RECOMMENDS THAT GEODUCK INSERTS WITH OVERLAPS BE USED INSTEAD OF THE PROPOSED FILTER CLOTH UNDER MANHOLE / CATCH BASIN COVERS DUE TO POTENTIAL FOR CLOGGING.
  5. INSTALL SILT FENCES AROUND THE PERIMETER OF STOCKPILES OF TOPSOIL TO BE USED OR REMOVED FROM SITE. (LOCATION TO BE DETERMINED).
  6. SEDIMENT CONTROL DEVICES SHALL BE INSPECTED DAILY AND CLEANED OF ANY ACCUMULATED SILT AS REQUIRED. THE DEPOSITS WILL BE DISPOSED OF AS PER THE REQUIREMENTS OF THE CONTRACT.
  7. IN SOME CASES SOME FILTER BARRIERS MAY BE REMOVED TEMPORARILY TO ACCOMMODATE CONSTRUCTION OPERATIONS. THE AFFECTED BARRIERS WILL BE REINTEGRATED AT NIGHT WHEN CONSTRUCTION IS COMPLETED. REMOVAL SHALL NOT OCCUR IF RUNOFF OR RAINFALL IS PREDICTED UNLESS A NEW DEVICE HAS BEEN INSTALLED TO PROTECT THE EXISTING STORM AND SANITARY SEWER SYSTEMS.
  8. NO REFUELING OR CLEANING OF EQUIPMENT IS PERMITTED NEAR ANY EXISTING WATERWAYS.
  9. DURING THE CONSTRUCTION PERIOD, THE CONTRACTOR SHALL INSPECT, MAINTAIN AND REMOVE THE CONTROL MEASURES.
  10. THIS PROPOSED EROSION AND SEDIMENT CONTROL PLAN IS CONSIDERED BY (SNCA) A LIVING DOCUMENT WHICH MAY BE MODIFIED IN THE EVENT THE CONTROL MEASURES ARE INSUFFICIENT.

**LEGEND**

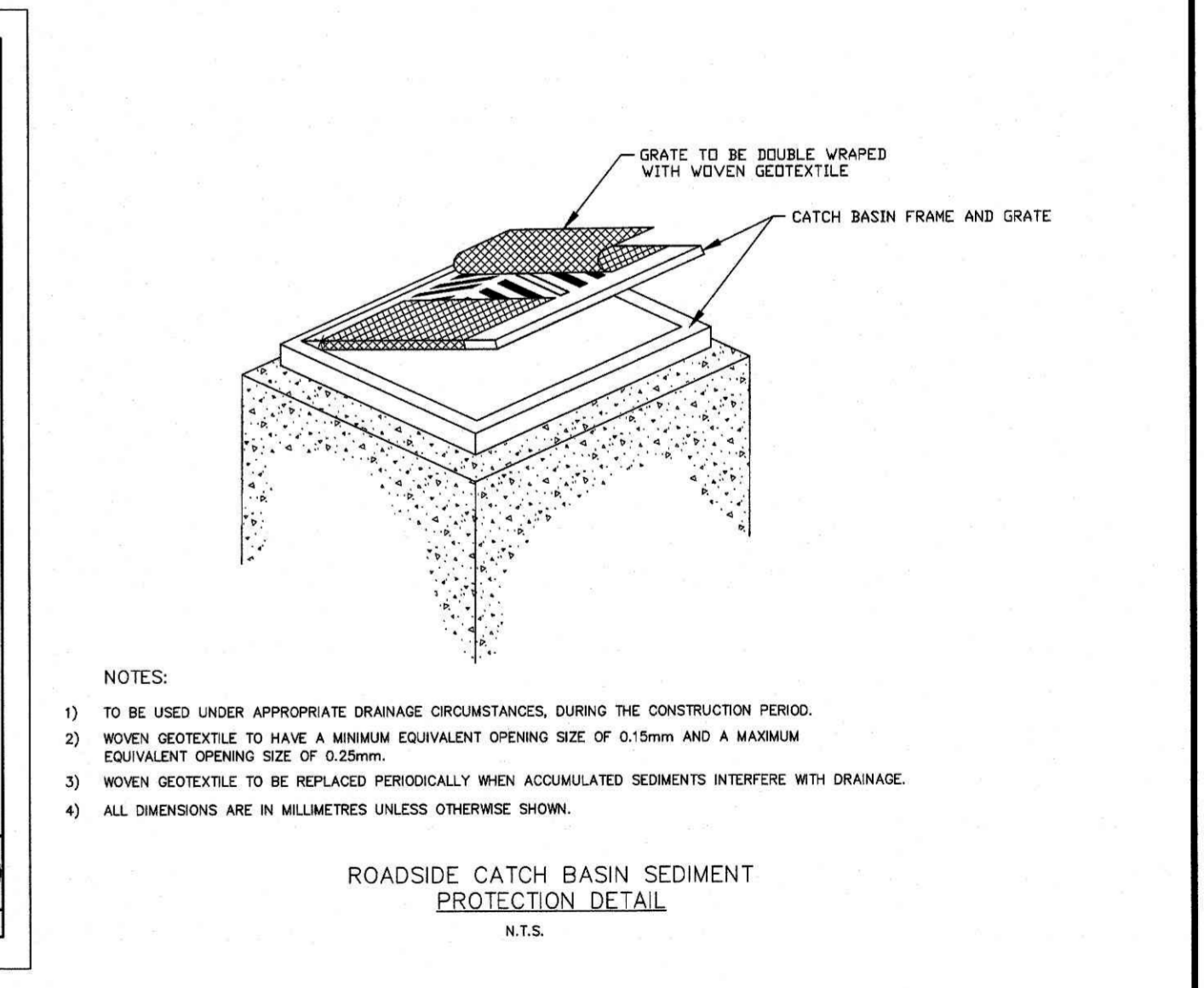
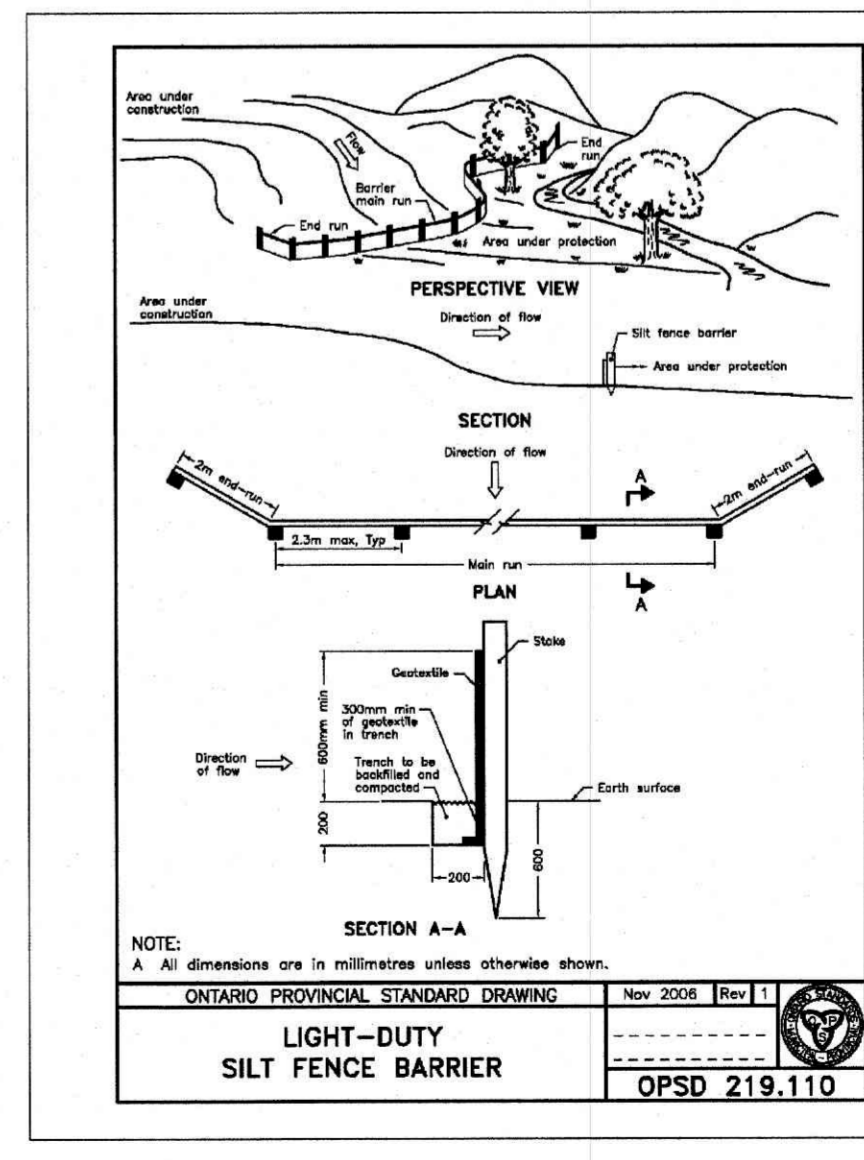
— SILT FENCE BARRIER LOCATION



**NOTES:**

- 1) CATCH BASIN LIFT HOLES TO BE PARDED WITH CONCRETE.
- 2) WOVEN GEOTEXTILE TO HAVE A MINIMUM EQUIVALENT OPENING SIZE OF 0.15mm AND A MAXIMUM EQUIVALENT OPENING SIZE OF 0.25mm.
- 3) ALL DIMENSIONS ARE IN MILLIMETRES UNLESS OTHERWISE SHOWN.

**CATCH BASIN SEDIMENT BARRIER TYPE "A" AND "B" N.T.S.**



**NOTES:**

- 1) TO BE USED UNDER APPROPRIATE DRAINAGE CIRCUMSTANCES, DURING THE CONSTRUCTION PERIOD.
- 2) WOVEN GEOTEXTILE TO HAVE A MINIMUM EQUIVALENT OPENING SIZE OF 0.15mm AND A MAXIMUM EQUIVALENT OPENING SIZE OF 0.25mm.
- 3) WOVEN GEOTEXTILE TO BE REPLACED PERIODICALLY WHEN ACCUMULATED SEDIMENTS INTERFERE WITH DRAINAGE.
- 4) ALL DIMENSIONS ARE IN MILLIMETRES UNLESS OTHERWISE SHOWN.

**PROJECT**  
16-20 CHAMPAGNE AVENUE SOUTH  
LOT 6 BLOCK E  
REGISTERED PLAN 146  
CITY OF OTTAWA

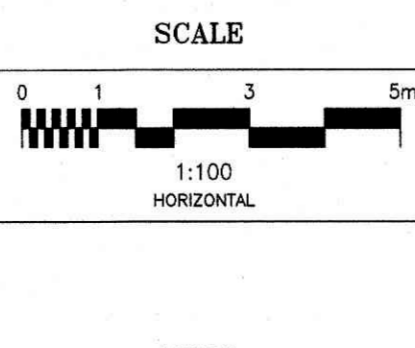
**DRAWING TITLE**  
PROPOSED EROSION AND SEDIMENT CONTROL PLAN

**PROJECT No.** 818-54  
**DATE** OCTOBER 2018  
**DRAWING No.** ESC-1

*Douglas James*

**DOUGLAS JAMES, MCIP, RPP**  
MANAGER, DEVELOPMENT REVIEW - CENTRAL  
PLANNING, INFRASTRUCTURE & ECONOMIC  
DEVELOPMENT DEPARTMENT, CITY OF OTTAWA

**APPROVED**  
By Jamesdo at 2:47 pm, Jun 14, 2019



DESIGN	T.L.M.
CHECKED	T.L.M.
DRAWN BY	G.U.
CHECKED	T.L.M.
APPROVED	T.L.M.

**PROJECT**  
16-20 CHAMPAGNE AVENUE SOUTH  
LOT 6 BLOCK E  
REGISTERED PLAN 146  
CITY OF OTTAWA

**DRAWING TITLE**  
PROPOSED EROSION AND SEDIMENT CONTROL PLAN

**T.L. MAK ENGINEERING CONSULTANTS LTD.**  
CONSULTING ENGINEERS

**PROJECT No.** 818-54  
**DATE** OCTOBER 2018  
**DRAWING No.** ESC-1

NO.	REVISION	DATE	BY