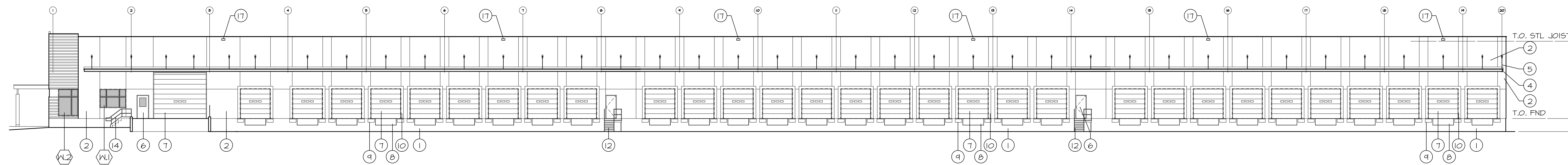
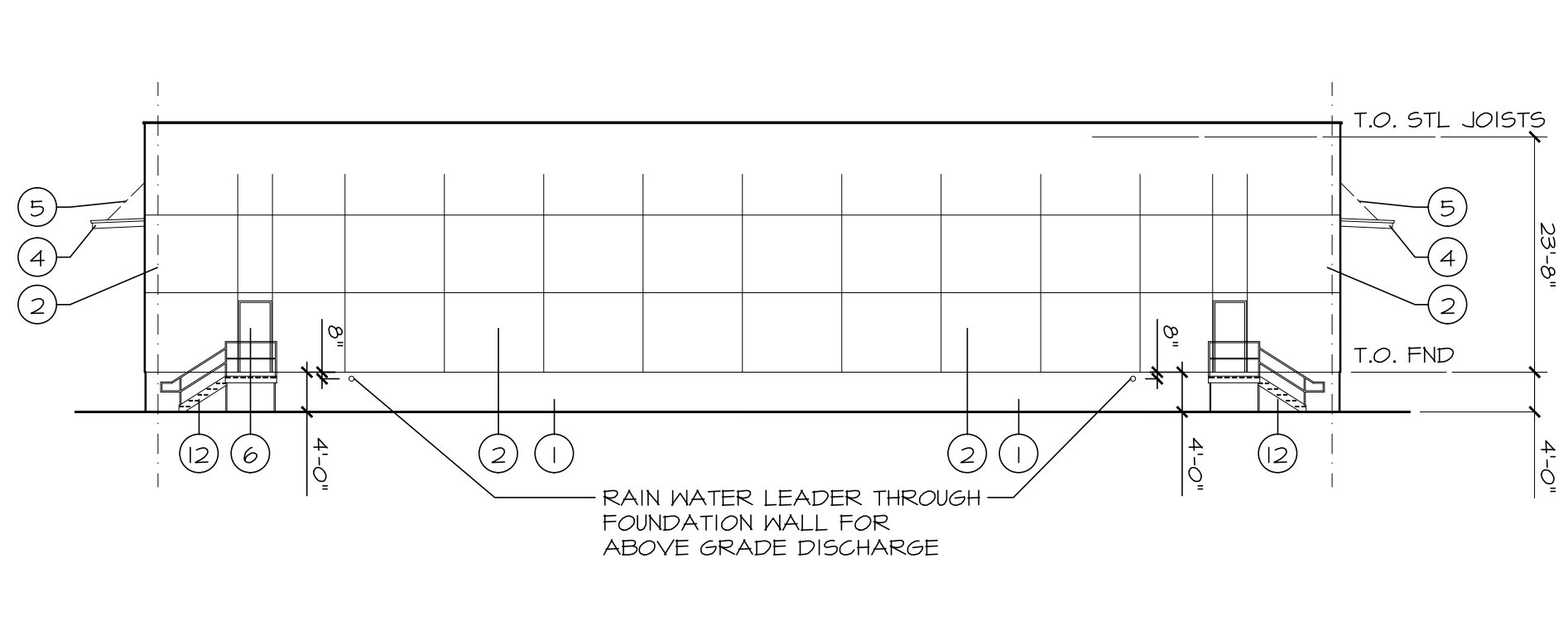


4 ELEVATION - EAST (LEFT)
 A3.1 | 1/16" = 1'-0"

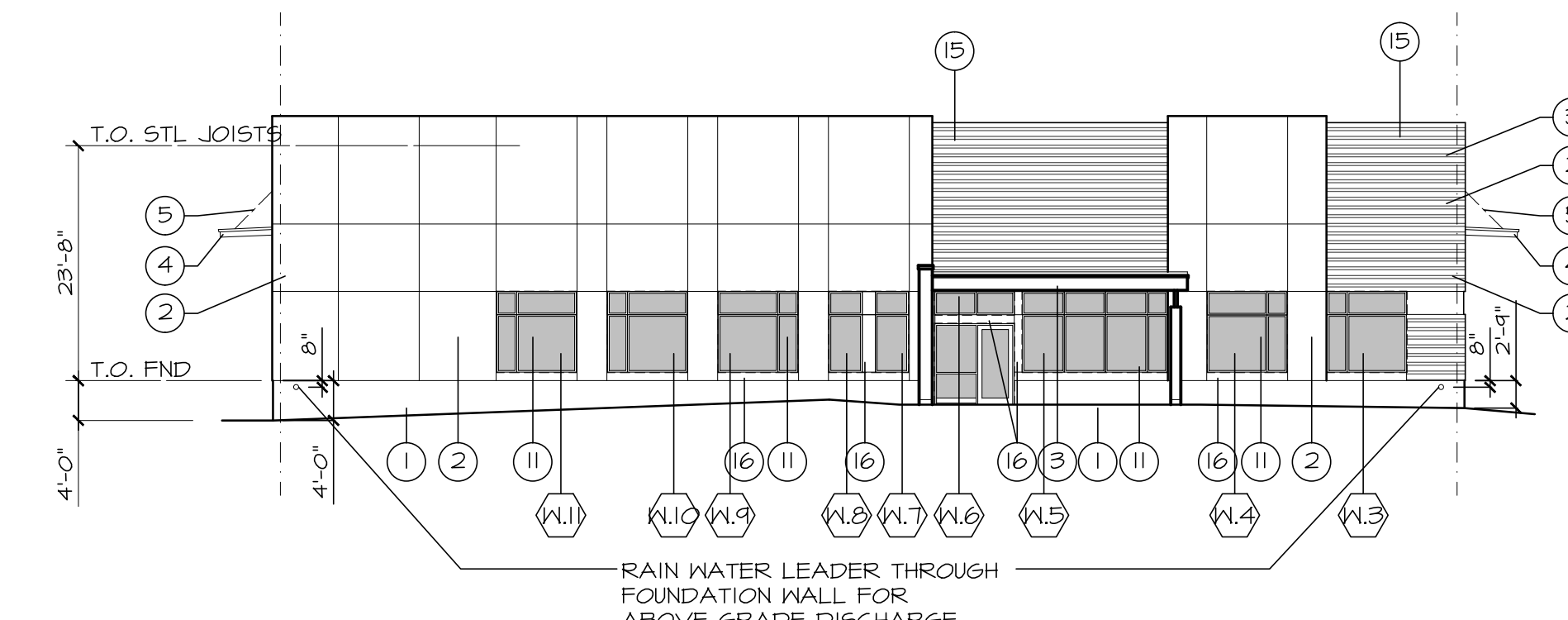


3 ELEVATION - WEST (RIGHT)
 A3.1 | 1/16" = 1'-0"

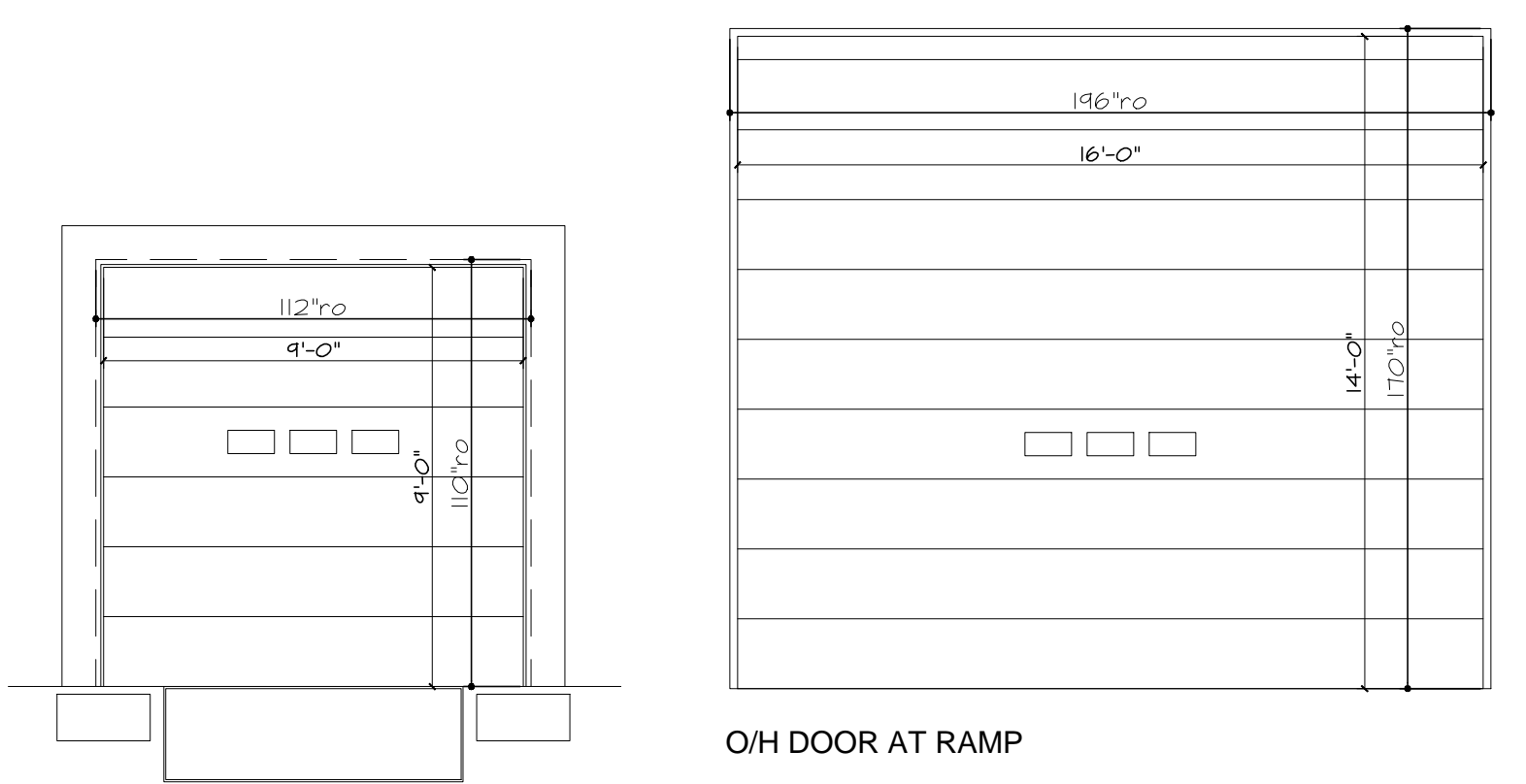
- ELEVATION NOTES:**
- 1 EXPOSED CONG. FND WALL
 - 2 PRECAST CONCRETE PANEL
 - 3 PREFINISHED METAL ROOF/PANEL SYSTEM
 - 4 PREFIN METAL FASCIA
 - 5 CANOPY SUPPORT BRACKET
 - 6 MAN DOOR - PAINT FINISH
 - 7 OVERHEAD GARAGE DOOR
 - 8 DOCK LEVELLER
 - 9 DOCK BUMPERS
 - 10 DOCK SEAL
 - 11 ALUMINUM WINDOW
 - 12 STEEL STAIRS
 - 13 CONCRETE STAIRS
 - 14 METAL RAILINGS & GUARDS
 - 15 METAL SIDING
 - 16 PREFIN. METAL PANEL/FLASHING
 - 17 ROOF SCUPPER FOR OVERFLOW - SEE DETAIL



2 ELEVATION - SOUTH (REAR)
 A3.1 | 1/16" = 1'-0"

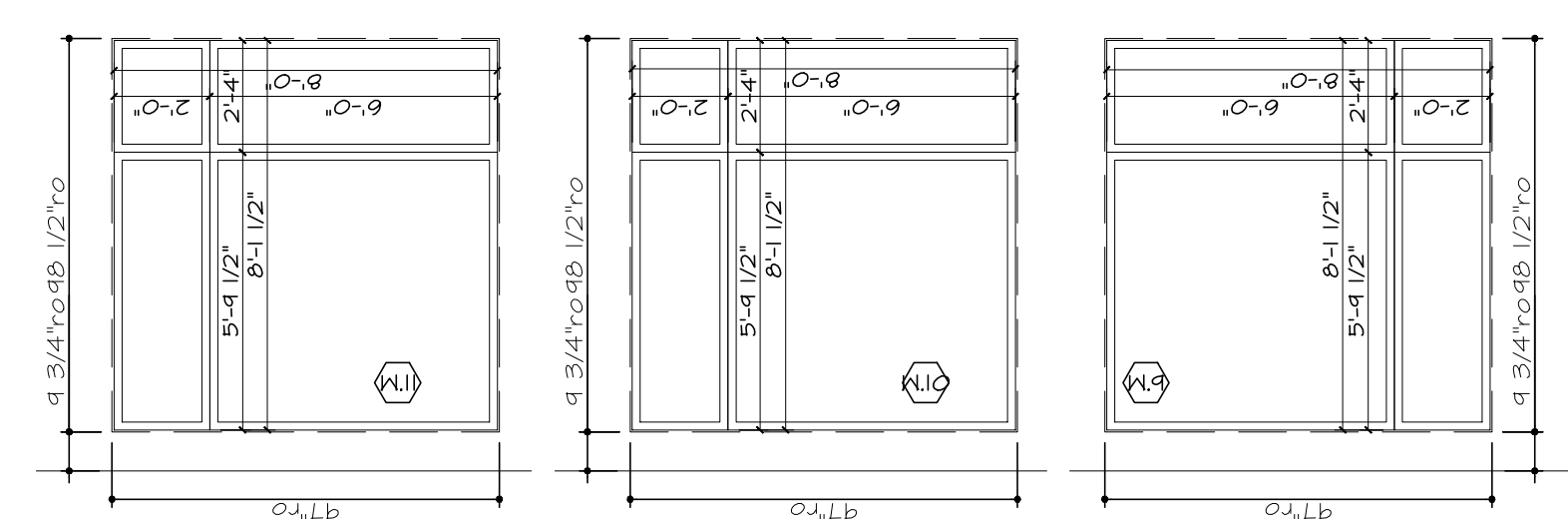
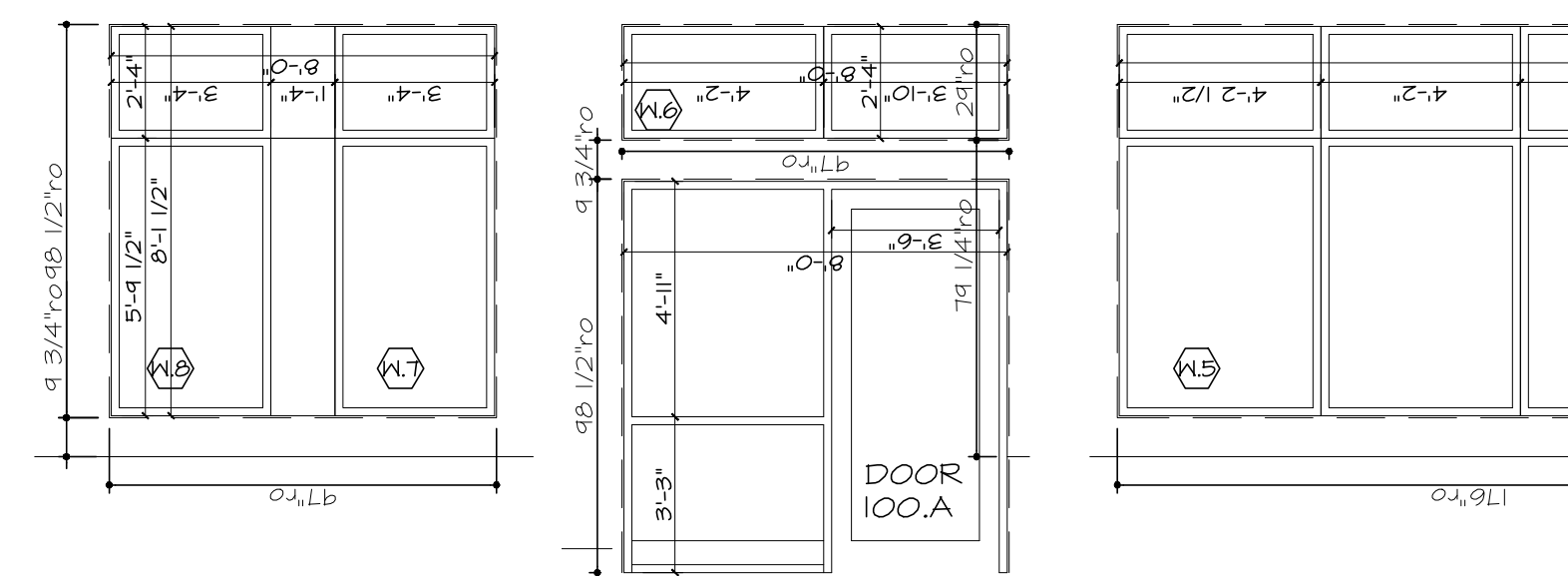
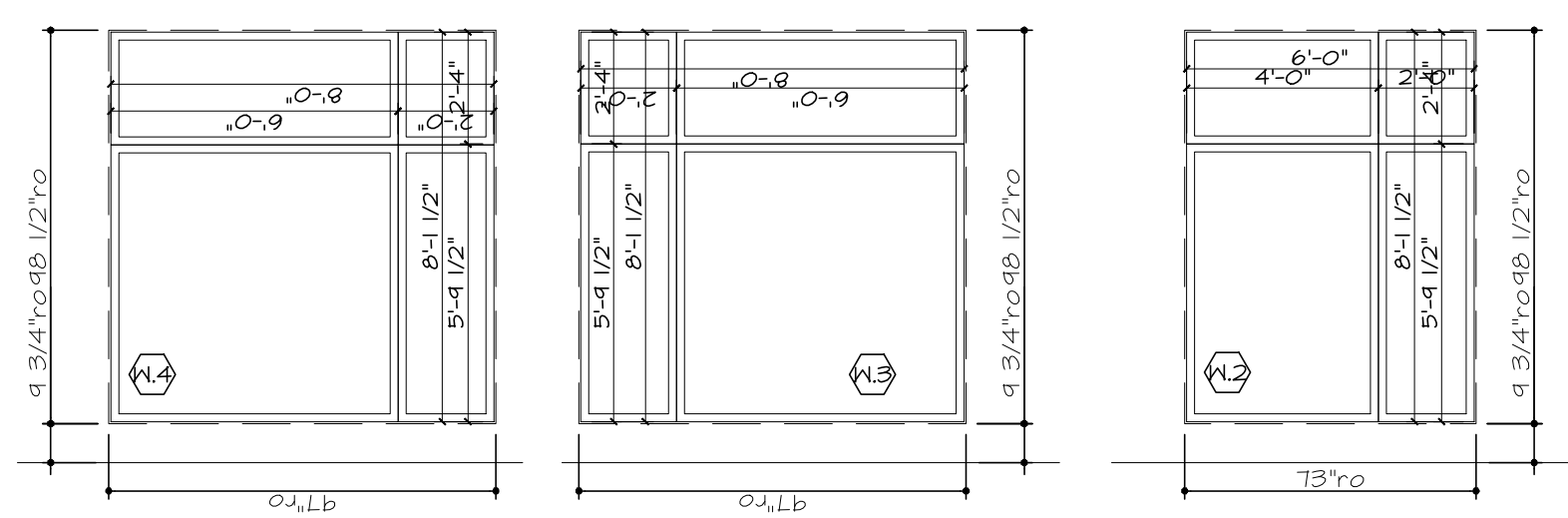
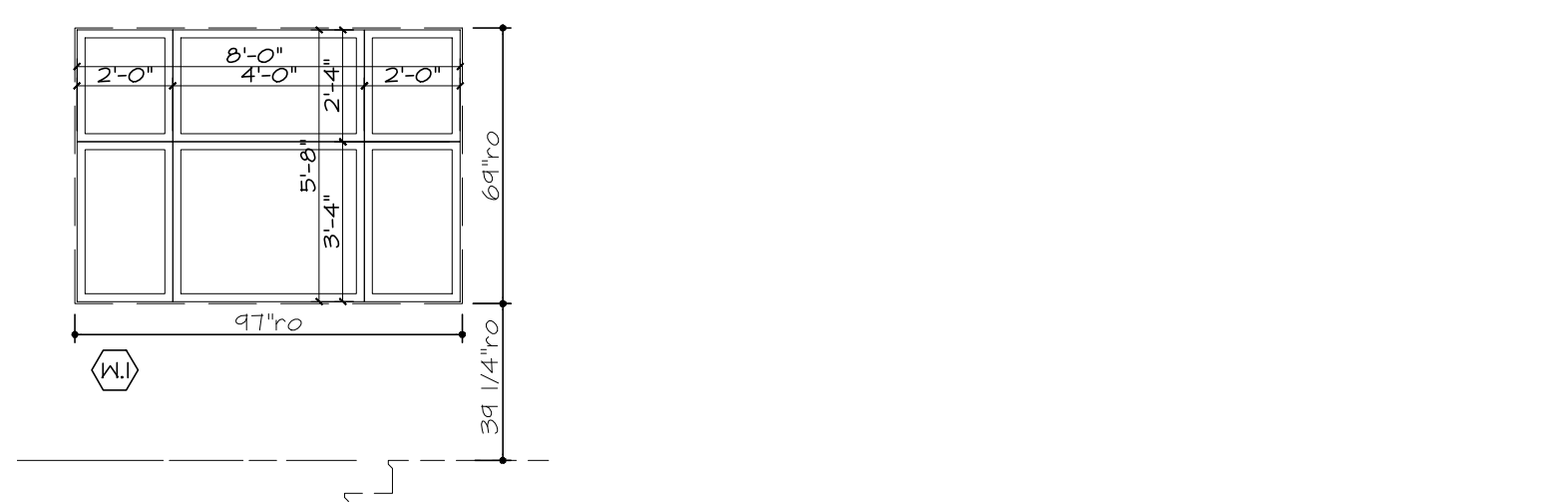


1 ELEVATION - NORTH (FRONT)
 A3.1 | 1/16" = 1'-0"

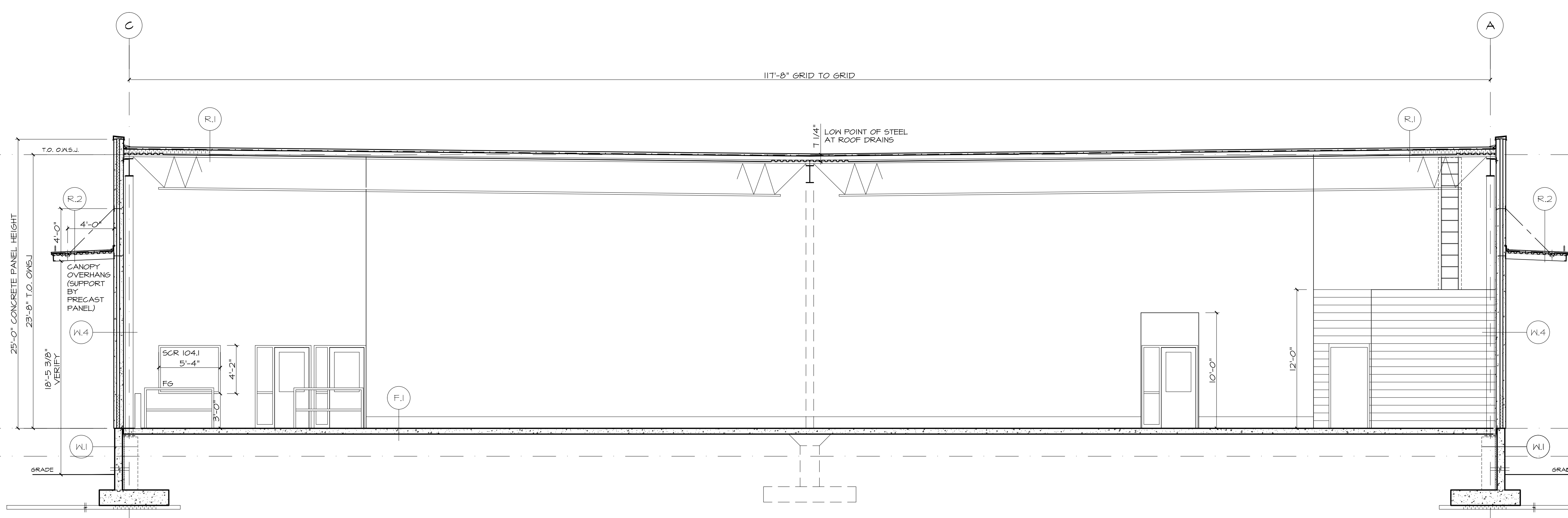


OH DOOR AT RAMP

TYPICAL CROSS DOCK DOOR



6 EXTERIOR WINDOWS
 A3.1 | 1/4" = 1'-0"



5 SECTION THROUGH CROSSDOCK
 A3.1 | 3/16" = 1'-0"

REVISION	No	DATE	PAR
Issued for Site Plan Control w/ Revisions	1	4 Mar 2019	
Change to Conventional Steel		8 Feb 2019	bjs
Issued for Site Plan Control	0	17 Dec 2018	bjs

It is the responsibility of the appropriate Contractor to check and verify all dimensions on site and report all errors and/or omissions to the Architect.
 All Contractors must comply with all pertinent codes and by-laws.
 Do not scale drawings.
 This drawing may not be used for construction until signed.
 Architect's copyright reserved.

PROPOSED TRUCK DOCK TRANSFER FACILITY

Boundary Road
 Ottawa, ON

ELEVATIONS

D07-14-18-0006

DESIGNED BY Brian Sindall	CHECKED BY GUY MONETTE
DRAWN BY STAFF	SCALE As Noted
PROJECT No.	DRAWING No.