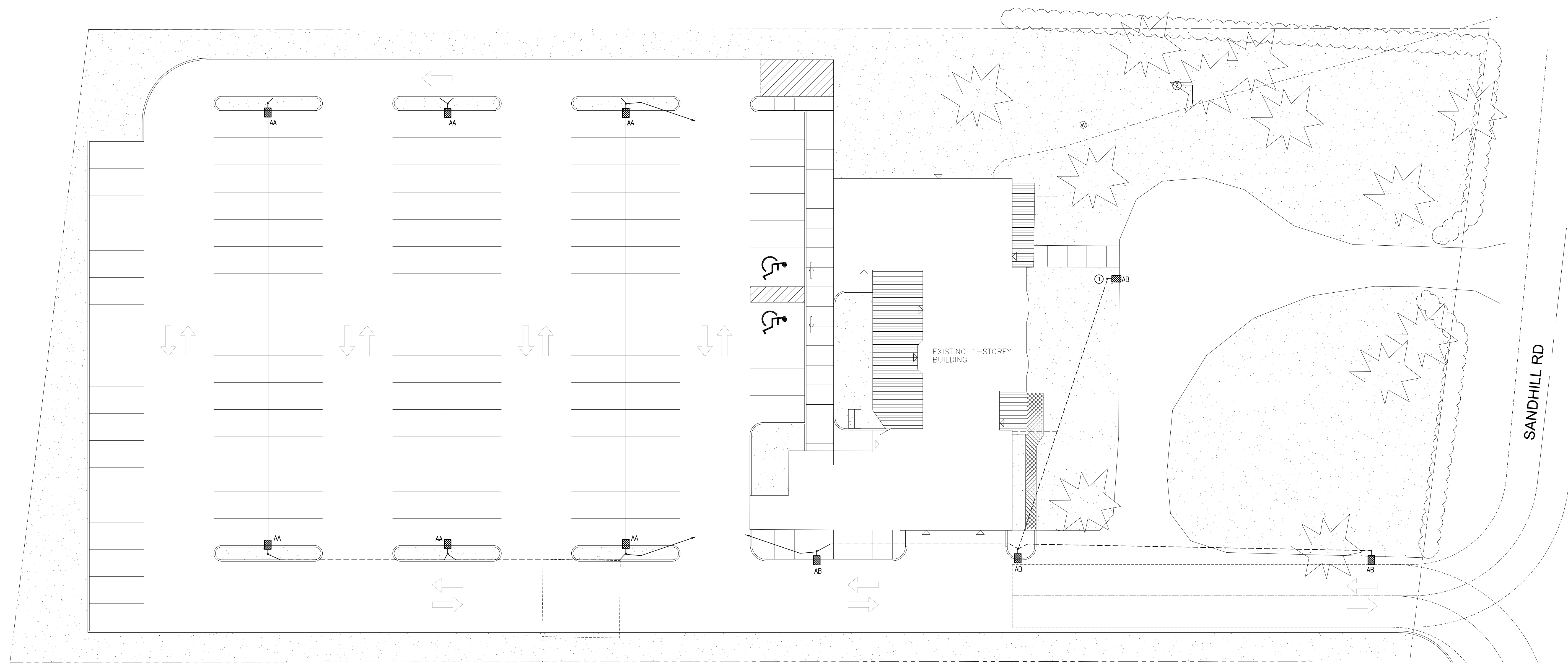
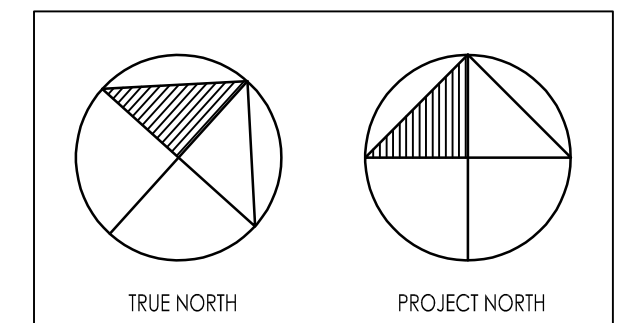


THESE DESIGN DOCUMENTS ARE PREPARED SOLELY FOR THE USE BY THE PARTY WITH WHOM THE DESIGN PROFESSIONAL HAS ENTERED INTO A CONTRACT AND THERE ARE NO REPRESENTATIONS OF ANY KIND MADE BY THE DESIGN PROFESSIONAL TO ANY PARTY WITH WHOM THE DESIGN PROFESSIONAL HAS NOT ENTERED INTO A CONTRACT.

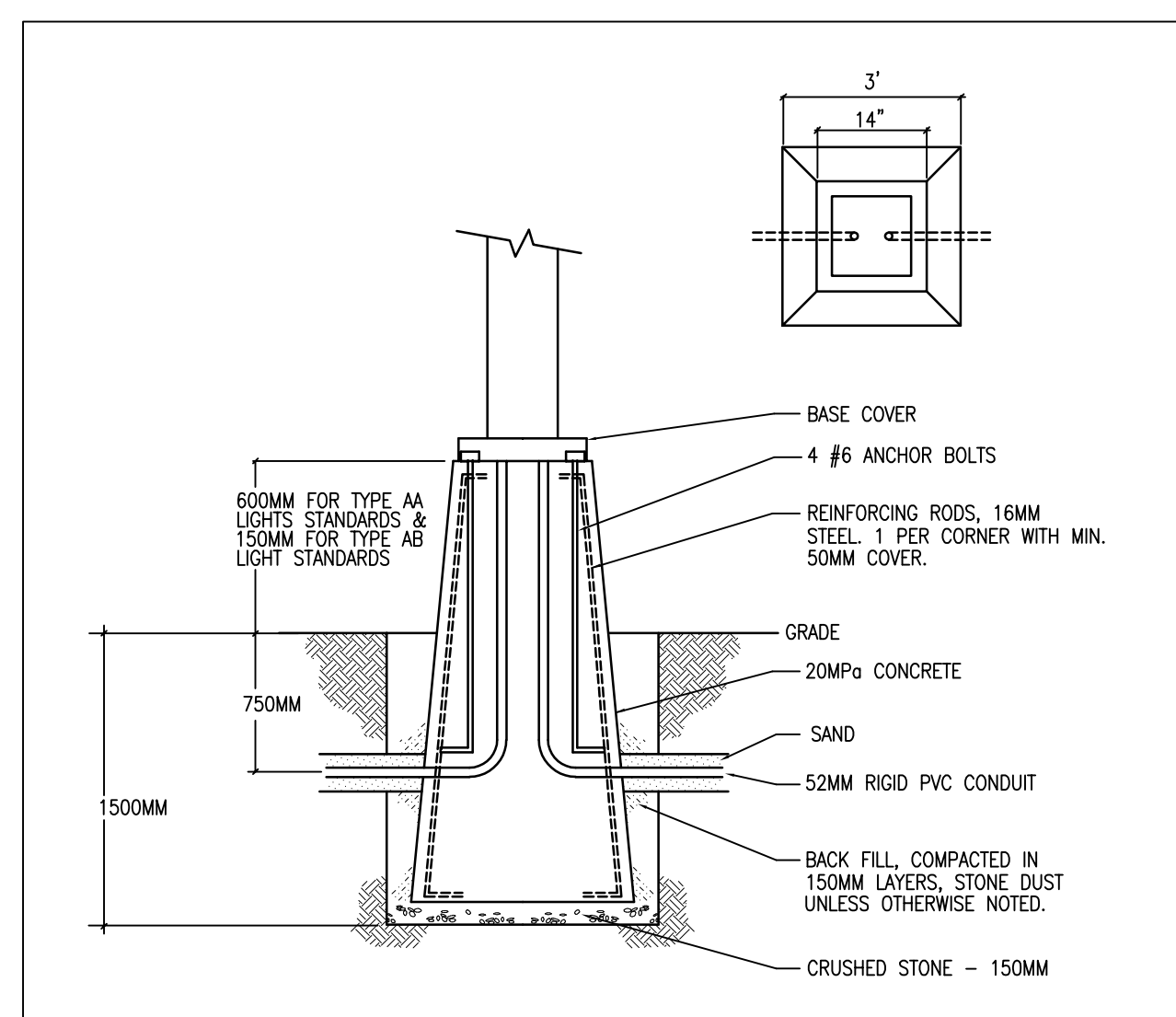
THE PAPER COPY OF THE DRAWINGS ISSUED FOR BUILDING PERMIT AND/OR TENDER WILL TAKE PRECEDENCE OVER ELECTRONIC COPIES.

**ALFA+**  
PROJECT LEADERS

(613) 890-1134 HELLO@ALFAPLUS.CA



1 SITE PLAN - PHASE 1  
ES-1 1:200



2 MOUNTING DETAIL FOR LAMP POST BASE  
ES-1 N.T.S.

TYPE	DESCRIPTION	LAMPS						DIMMING OPTION	VOLT	MOUNTING	REMARKS
		QTY	TYPE	WATTS	COLOUR	LUMENS	LUMENS/WATT (LPW)				
AA	LED SITE LIGHT STANDARD - CREE OSQ MEDIUM SERIES NO SUBSTITUTIONS	1	LED	86W	4000K	11,424 LM	132 LPW		347	POLE MOUNTED AT 30 FEET	- BACKLIGHT SHIELD FOR FRONT FACING OPTICS - BLACK FINISH - ADJUSTABLE ARM - TYPE M DISTRIBUTION - MEDIUM - DARK SKY APPROVED - LOW PROFILE
AB	LED SITE LIGHT STANDARD - CREE OSQ MEDIUM SERIES NO SUBSTITUTIONS	1	LED	86W	4000K	11,424 LM	132 LPW		347	POLE MOUNTED AT 12 FEET	- BLACK FINISH - ADJUSTABLE ARM - TYPE M DISTRIBUTION - MEDIUM - FIELD ADJUSTABLE OUTPUT - Q1 - DARK SKY APPROVED - LOW PROFILE
BB	8" CUBE LED BUILDING MOUNTED LIGHT - TECH LIGHTING VOTO 8 WALL SCIENCE DOWNLIGHT NO SUBSTITUTIONS	1	LED	14W	3000K	672.5 LM			120	WALL MOUNTED AT 10.5 FEET	- BRONZE OR CHARCOAL FINISH - DARK SKY COMPLIANT - 80+ CRI - DIE CAST METAL BODY - MARINE GRADE POWDER COAT FINISH - FROSTED ACRYLIC LENS - SYMMETRIC DISTRIBUTION
CC	LED BUILDING MOUNTED FEATURE LIGHT - TECH LIGHTING ASPEN WEDGE 36 WALL SCIENCE NO SUBSTITUTIONS	1	LED	48W	3000K	1508 LM			120	WALL MOUNTED AT 12 FEET	- BRONZE OR CHARCOAL FINISH - 90+ CRI - DIE CAST METAL BODY - MARINE GRADE POWDER COAT FINISH - FROSTED ACRYLIC LENS - SYMMETRIC DISTRIBUTION - MOUNTED VERTICALLY
DD	LED BOLLARD LIGHT - TECH LIGHTING STRUT BOLLARD LIGHT NO SUBSTITUTIONS	1	LED	19.3W	3000K	1312 LM			120	MOUNTED ON GRADE	- BRONZE OR CHARCOAL FINISH - DARK SKY COMPLIANT - TYPE 2 DISTRIBUTION - 80+ CRI - MARINE GRADE POWDER COAT FINISH - FLAT CLEAR LENS - 42" TALL

DIMMING NOTES:  
1. 0-10V DENOTES 0-10V DIMMING CONTROL  
2. MLV DENOTES MAGNETIC LOW VOLTAGE  
3. ELV DENOTES ELECTRONIC LOW VOLTAGE  
4. 3-WIRE DENOTES 3-WIRE DIMMING CONTROL  
5. INC DENOTES LINE VOLTAGE DIMMING CONTROL

GENERAL NOTES:

- REFER TO ARCHITECTURAL DRAWINGS FOR PHASING.
- ALL SITE WIRING SHALL BE MIN. #6 AWG U.O.N.
- ALL SITE CONDUITS SHALL BE MIN. 2" RIGID PVC TYPE U.O.N.
- CONTRACTOR IS TO CONFIRM EXACT RUNS OF ALL SITE SERVICES AND MARK RECORD DRAWINGS TO REFLECT AS-BUILT CONDITIONS.

DRAWING NOTES:

- REPLACE EXISTING LIGHT STANDARD POLE WITH NEW.
- EXISTING UNDERGROUND INCOMING HYDRO SERVICE FROM POLE MOUNTED 37.5KVA TRANSFORMER TO BASEMENT OF EXISTING BUILDING. EXISTING SERVICE TO BE REMOVED IN PHASE 2 OF THE WORK WHEN NEW ELECTRICAL SERVICE IS FULLY OPERATIONAL.

LIGHTING LEGEND

SYMBOL	DESCRIPTION
	WALL MOUNTED LIGHT FIXTURE. LETTER DENOTES TYPE.
	EXTERIOR LIGHT STANDARD FIXTURE. LETTER DENOTES TYPE.
	EXTERIOR LIGHT BOLLARD. LETTER DENOTES TYPE.

REVISION No.	DESCRIPTION	DATE
3	RE- ISSUED FOR SITE PLAN APPLICATION	FEB 11/19
2	RE- ISSUED FOR SITE PLAN APPLICATION	NOV 19/18
1	ISSUED FOR SITE PLAN APPLICATION	JUN 29/18

PROJECT:  
KMA MOSQUE AND COMMUNITY CENTRE  
351 SANDHILL ROAD  
KANATA, ONTARIO

DRAWING:  
ELECTRICAL:  
SITE PLAN - PHASE 1

DATE: JUNE 2018  
DESIGNED BY: A.S.  
DRAWN BY: A.S.  
CHECKED BY: A.S.  
SCALE: AS SHOWN  
No. DWGS. 1  
PROJECT No. 18006

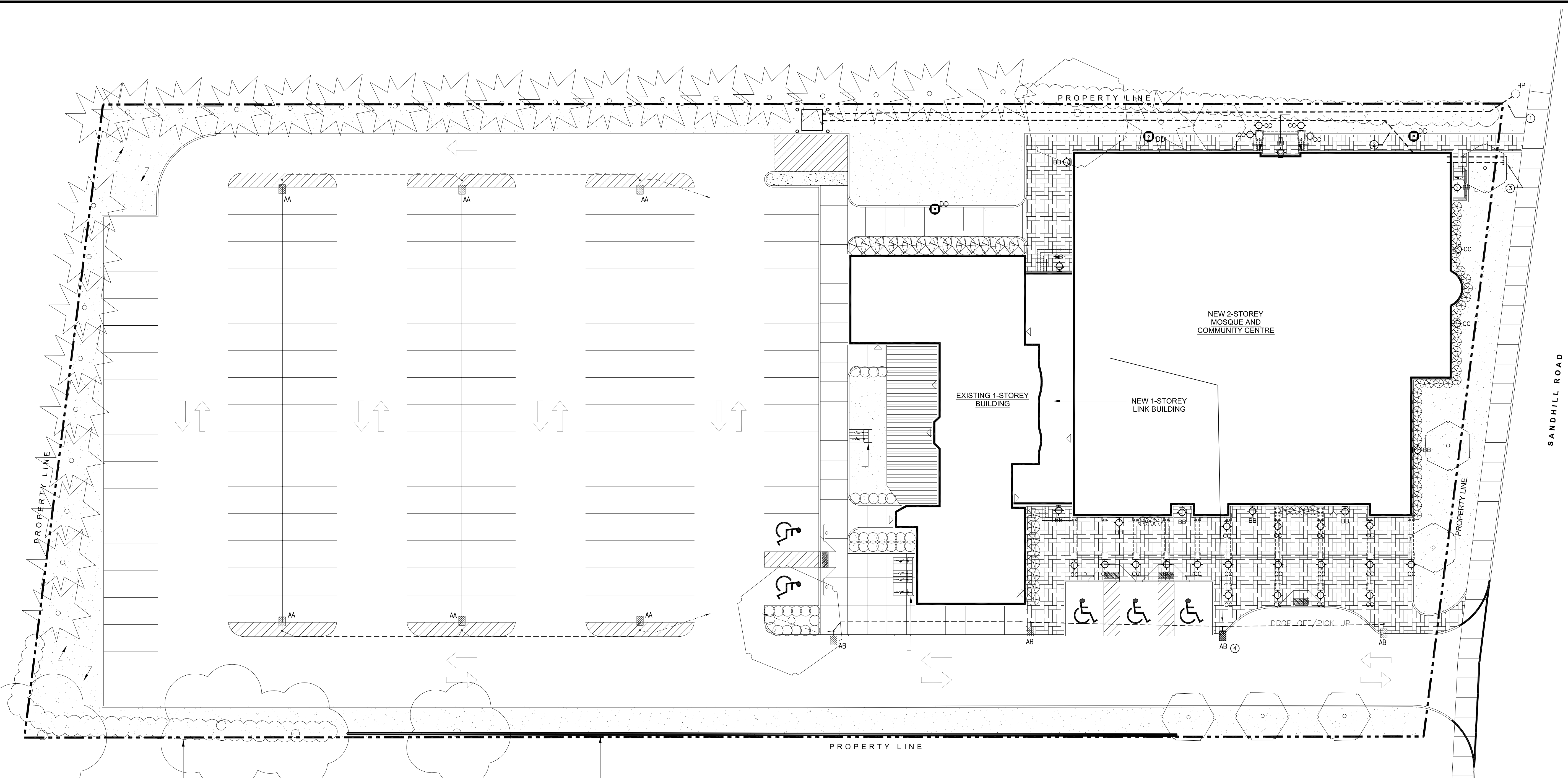
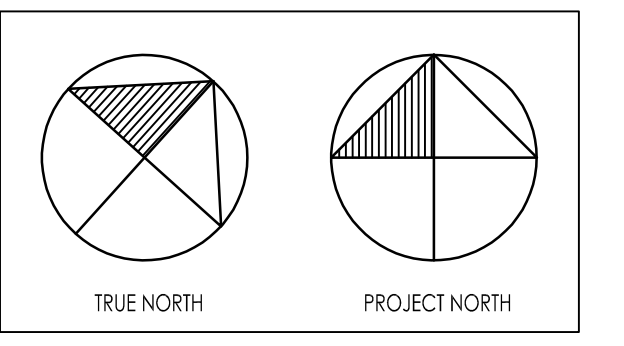
DRAWING No. ES-1

THESE DESIGN DOCUMENTS ARE PREPARED SOLELY FOR THE USE BY THE PARTY WITH WHOM THE DESIGN PROFESSIONAL HAS ENTERED INTO A CONTRACT AND THERE ARE NO REPRESENTATIONS OF ANY KIND MADE BY THE DESIGN PROFESSIONAL TO ANY PARTY WITH WHOM THE DESIGN PROFESSIONAL HAS NOT ENTERED INTO A CONTRACT.

THE PAPER COPY OF THE DRAWINGS ISSUED FOR BUILDING PERMIT AND/OR TENDER WILL TAKE PRECEDENCE OVER ELECTRONIC COPIES.



(613) 890-1134 HELLO@ALFAPLUS.CA



1 SITE PLAN - PHASE 2  
ES-2 1:200

**GENERAL NOTES:**

1. REFER TO ARCHITECTURAL DRAWINGS FOR PHASING.
2. ALL SITE WIRING SHALL BE MIN. #6 AWG U.O.N.
3. ALL SITE CONDUITS SHALL BE MIN. 2" RIGID PVC TYPE U.O.N.
4. CONTRACTOR IS TO CONFIRM EXACT RUNS OF ALL SITE SERVICES AND MARK RECORD DRAWINGS TO REFLECT AS-BUILT CONDITIONS.

**DRAWING NOTES:**

- ① PROVIDE NEW UNDERGROUND HIGH VOLTAGE INCOMING ELECTRICAL SERVICE FROM HYDRO POLE TO NEW 300KVA 13KV-347/600V 3Ø 4-WIRE HYDRO OWNED PAD-MOUNTED TRANSFORMER. INSTALL TRANSFORMER AS PER HYDRO OTTAWA STANDARDS. THIS WORK SHALL BE COMPLETED IN PHASE 2 OF THE WORK. HIGH VOLTAGE WIRING BY HYDRO OTTAWA.
- ② PROVIDE NEW FOUR (4) CELL CONCRETE ENCASED UNDERGROUND DUCT BANK FOR SECONDARY ELECTRICAL SERVICE FROM SECONDARY OF TRANSFORMER TO MAIN SWITCHBOARD INSIDE ELECTRICAL ROOM. THIS IS TO BE COMPLETED IN PHASE 2.
- ③ PROVIDE NEW TWO (2) CELL CONCRETE ENCASED UNDERGROUND DUCT BANK FOR TELECOM SERVICE (ROGERS/BELL) AND EXTEND FROM MAIN TELECOM ROOM TO PROPERTY LINE. THIS IS TO BE COMPLETED IN PHASE 2.
- ④ RELOCATE EXISTING LIGHT STANDARD INSTALLED IN PHASE 1 AND RELOCATE AS SHOWN.
- ⑤ RELOCATE EXISTING LIGHT STANDARD INSTALLED IN PHASE 1 AND RELOCATE AS SHOWN. REMOVE ONE HEAD AND HANDOVER OTHER HEAD TO OWNER.

REVISION No.	DESCRIPTION	DATE
3	RE- ISSUED FOR SITE PLAN APPLICATION	FEB 11/19
2	RE- ISSUED FOR SITE PLAN APPLICATION	NOV 19/18
1	ISSUED FOR SITE PLAN APPLICATION	JUN 29/18

PROJECT:  
KMA MOSQUE AND  
COMMUNITY CENTRE  
351 SANDHILL ROAD  
KANATA, ONTARIO

DRAWING:  
ELECTRICAL:  
SITE PLAN - PHASE 2

DATE: JUNE 2018	
DESIGNED BY: A.S.	
DRAWN BY: A.S.	
CHECKED BY: A.S.	
SCALE: AS SHOWN	DRAWING No.
No. DWGS. 2	PROJECT No.
18006	ES-2