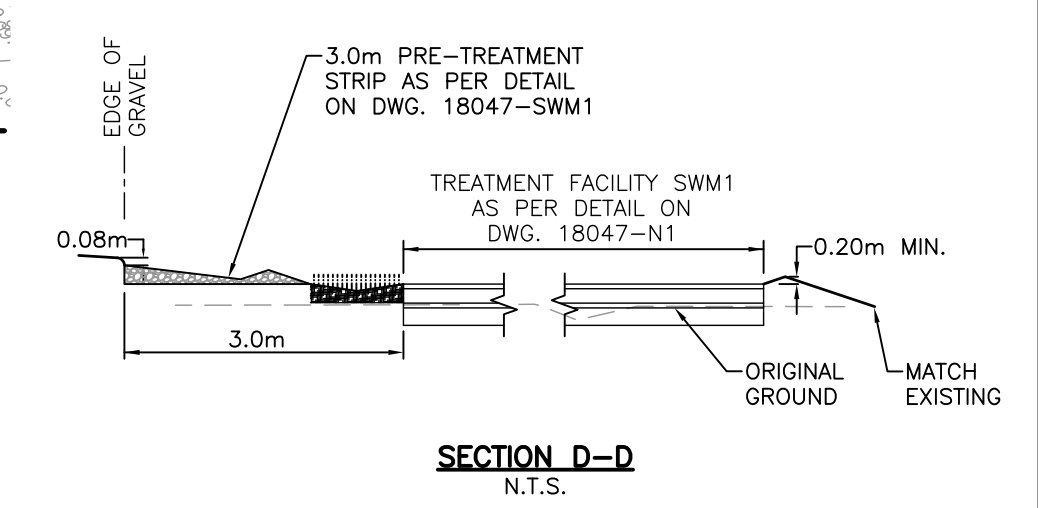
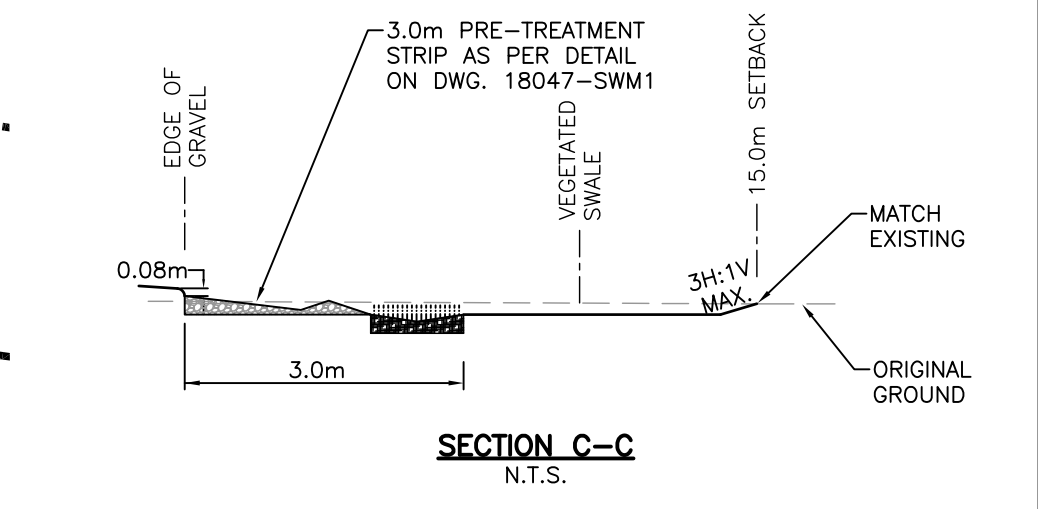
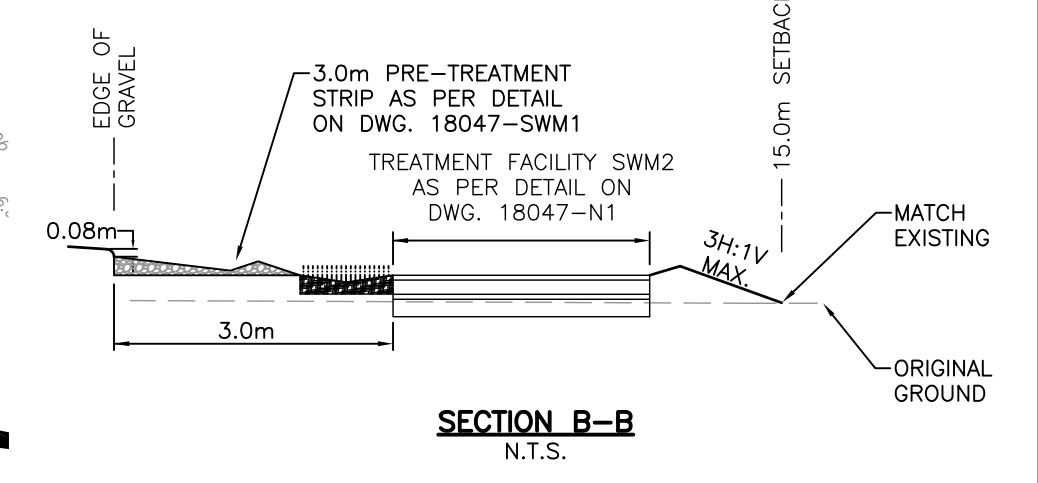
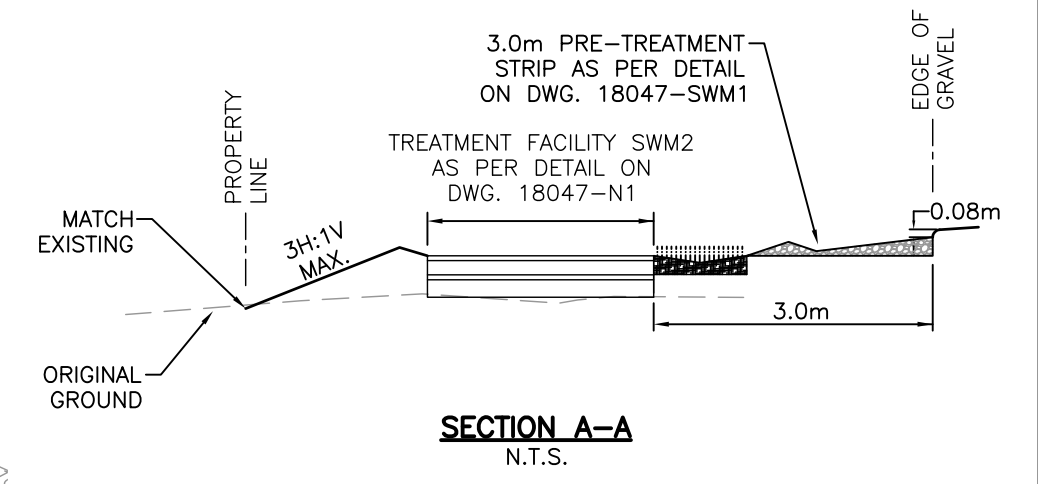
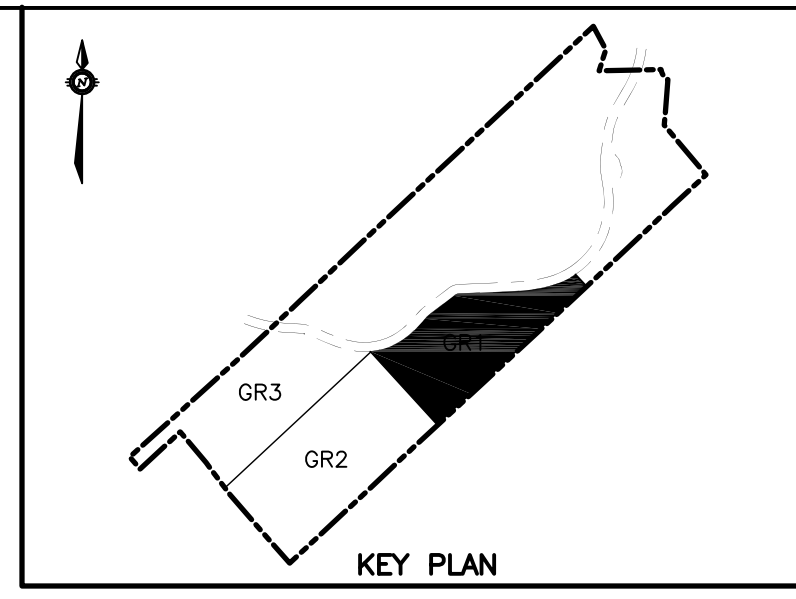


LEGEND

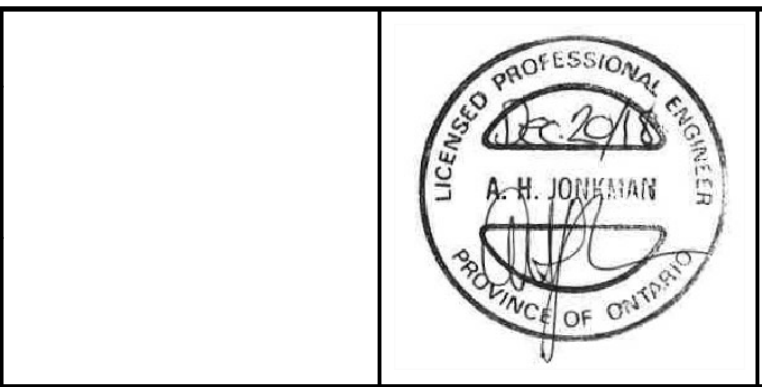
- PROPERTY BOUNDARY
- SWALE
- DITCH
- EXISTING DITCH
- SEPTIC SERVICE
- EXISTING ELEVATION
- PROPOSED GRADE
- DRAINAGE DIRECTION AND SLOPE
- TERRACING (3H:1V MAX.)
- MEANDER BELT SETBACK
- 15 METRE SETBACK
- 100 YEAR FLOOD PLAN
- HIGH WATER MARK SETBACK
- MONITORING WELL
- PRE-TREATMENT AREA
- BIORETENTION TREATMENT AREA



NOTES

THE POSITION OF ALL POLE LINES, CONDUITS, WATERMANS, SEWERS AND OTHER UNDERGROUND AND OVERGROUND UTILITIES AND STRUCTURES IS NOT NECESSARILY SHOWN ON THE CONTRACT DRAWINGS, AND WHERE SHOWN, THE ACCURACY OF THE POSITION OF SUCH UTILITIES AND STRUCTURES IS NOT GUARANTEED. BEFORE STARTING WORK, DETERMINE THE EXACT LOCATION OF ALL SUCH UTILITIES AND STRUCTURES AND ASSUME ALL LIABILITY FOR DAMAGE TO THEM. ALL ELEVATIONS SHOWN ARE GEODETIC.

NO.	REVISION DESCRIPTION	DATE	BY
2	REVISED PER COMMENTS	20/12/18	AHJ
1	ISSUED FOR SITE PLAN APPLICATION	19/09/18	AHJ



Robinson Land Development

350 Palladium Drive
Ottawa, ON K2V 1A8
(613) 592-6060 rcli.com

DESIGN	BLM
CHECKED	AHJ
DRAWN	BLM
CHECKED	AHJ
APPROVED	AHJ

1384341 ONTARIO LTD.

2596 CARP ROAD
OTTAWA, ON

GRADING PLAN

PROJECT No.	18047
SURVEY	CAVANAGH
DATED	SEPTEMBER 2018
DWG. No.	18047-GR1

D-07-12-18-0141