

Distances shown on this plan are ground distances and can be converted to grid distances by multiplying by the combined scale factor of 0.9999x.

Bearings are grid, derived from Can-Net 2016 Real Time Network GPS observations on reference points A and B, shown hereon, having a bearing of Nxx°xx'xx"W and are referenced to Specified Control Points 01919791338 and 01919871649, MTM Zone 9 (76°30' West Longitude) NAD-83 (original).

For bearing comparisons, a rotation of 0°00'00" counter-clockwise was applied to bearings on plan.

For comparison purposes, bearings shown on Plans P1 ... are astronomic bearings.

Coordinates are derived from Can-Net 2016 Real Time Network GPS observations referenced to Specified Control Points 01919791338 and 01919871649, MTM Zone 9 (76°30' West Longitude) NAD-83 (original).

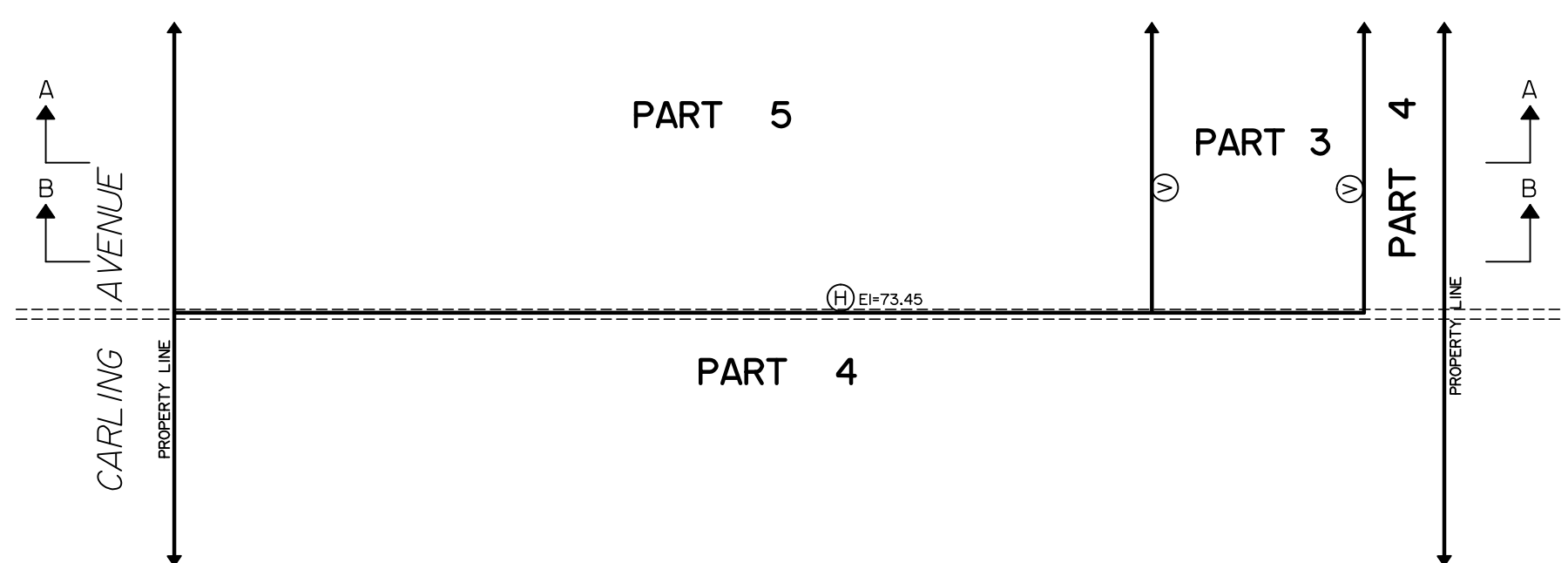
Coordinate values are to urban accuracy in accordance with O. Reg. 216/10.

01919791338 Northing 5006655.96 Easting 346140.91
 01919871649 Northing 5007189.87 Easting 372435.05

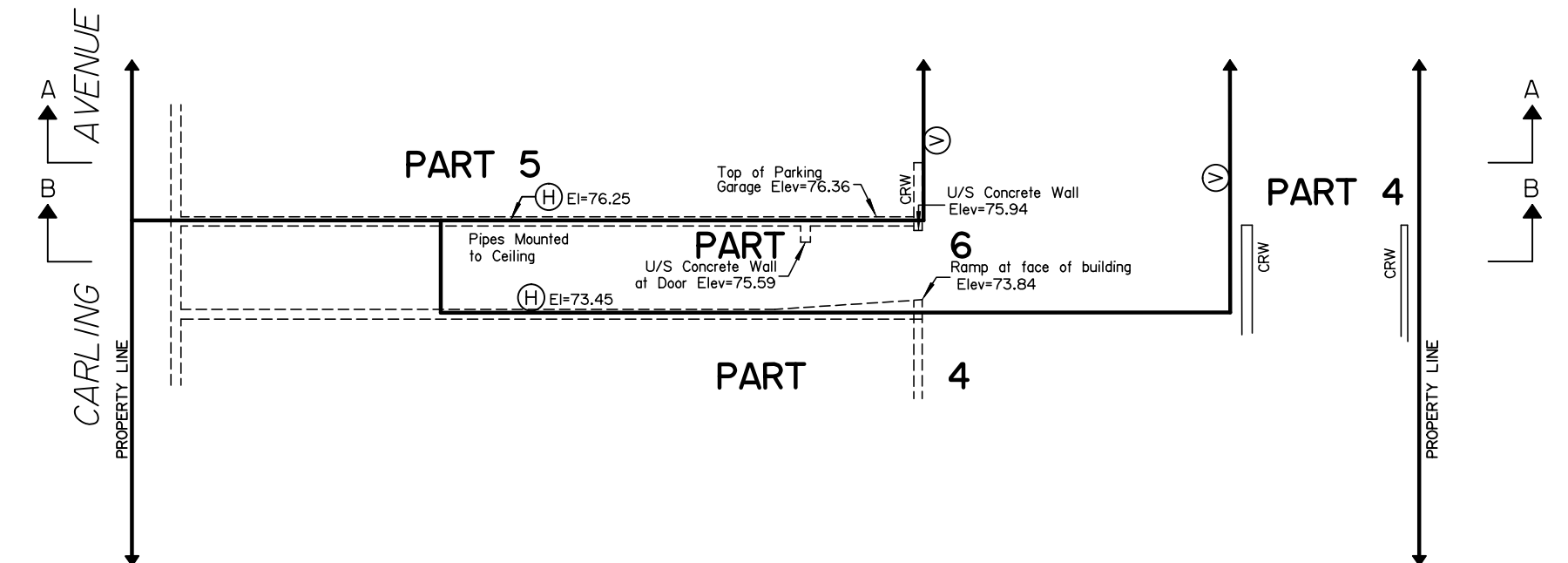
Point A Northing Easting
 Point B Northing Easting

Caution: Coordinates cannot, in themselves, be used to re-establish corners or boundaries shown on this plan.

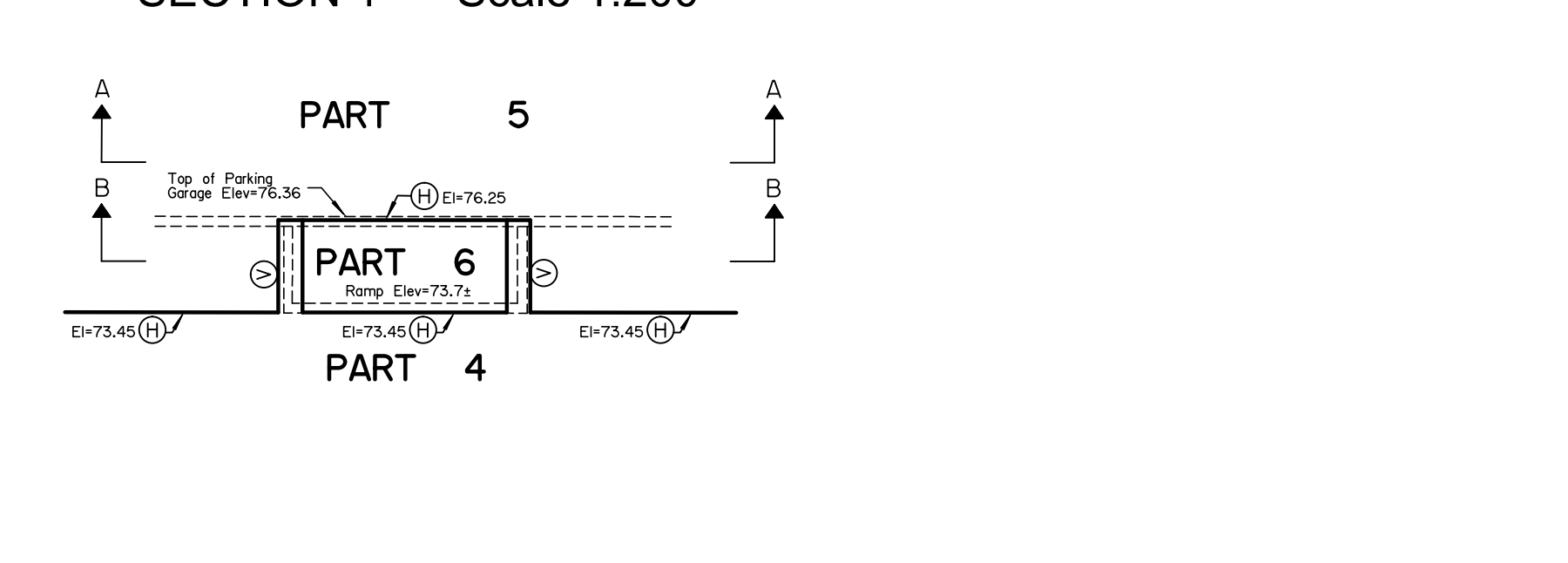
SECTION 3 Scale 1:200



SECTION 2 Scale 1:200



SECTION 1 Scale 1:200



PLAN 4R-
 RECEIVED AND DEPOSITED
 DATE: _____

REPRESENTATIVE FOR
 LAND REGISTRAR FOR THE
 LAND TITLES DIVISION OF
 OTTAWA-CARLETON NO. 4.

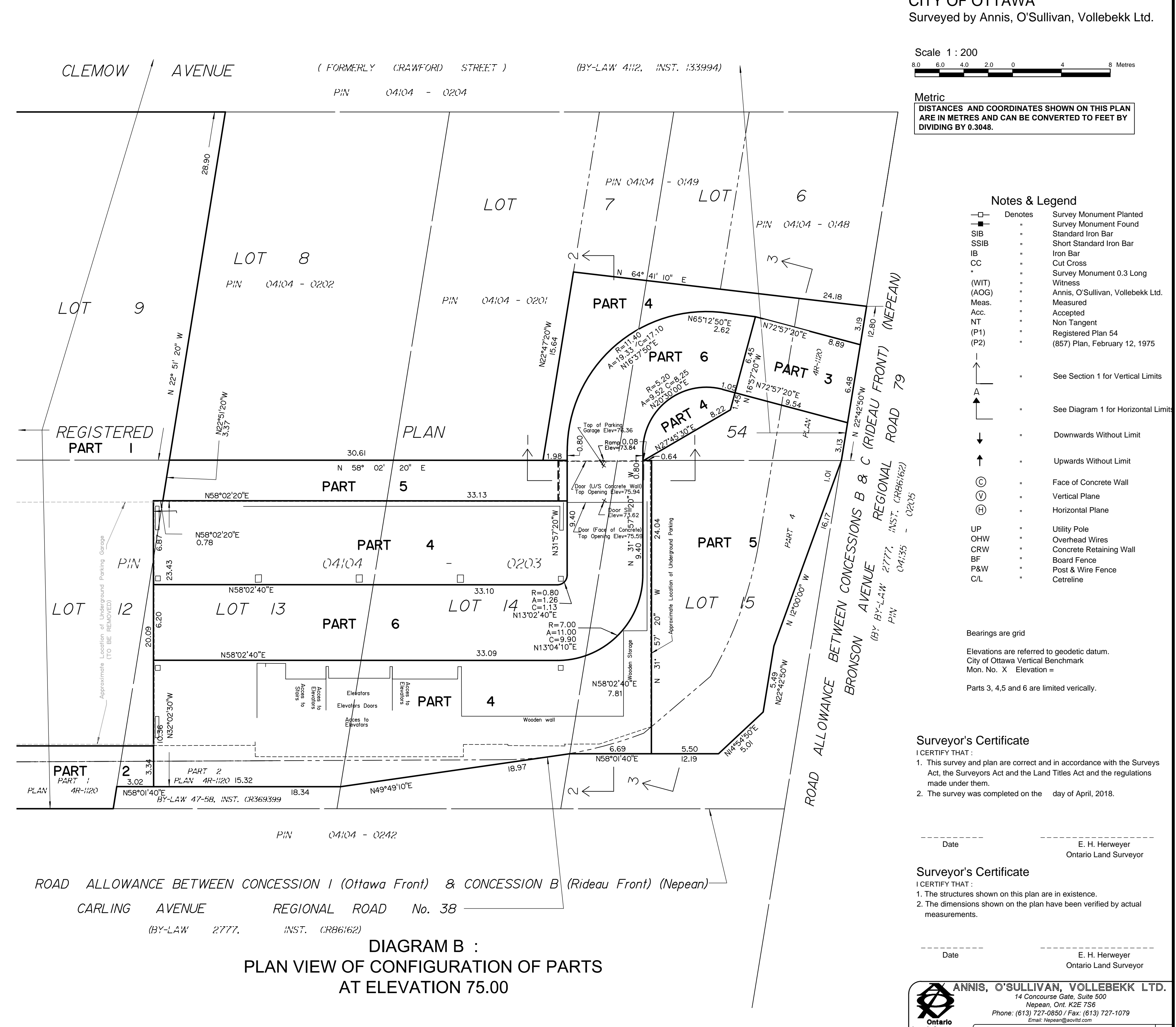
THIS IS A STRATA PLAN OF SURVEY

SCHEDULE				
PART	LOT	PLAN	PIN	Area (Sq.M.)
1	All of 9, 10, Part of 11, 12 and 13			1925
2	Part of 11, 12 and 13			198
3	Part of 6			
4	Part of 6, 7, 12, 13, 14 and 15	54	04104-0203	1659
5	Part of 6, 13, 14 and 15			
6	6, 7, 13, 14 and 15			

DRAFT PLAN OF SURVEY OF
 LOTS 9, 10, 11 AND 12
 PART OF LOTS 6, 7, 13, 14 AND 15
 REGISTERED PLAN 54
 CITY OF OTTAWA
 Surveyed by Annis, O'Sullivan, Vollebek Ltd.

Scale 1:200

Metric
 DISTANCES AND COORDINATES SHOWN ON THIS PLAN
 ARE IN METRES AND CAN BE CONVERTED TO FEET BY
 DIVIDING BY 0.3048.



- Notes & Legend
- Denotes Survey Monument Planted
 - SIB Standard Iron Bar
 - SSIB Short Standard Iron Bar
 - IB Iron Bar
 - CC Cut Cross
 - Survey Monument 0.3 Long
 - Witness
 - (ANT) (ACG) Annis, O'Sullivan, Vollebek Ltd.
 - Meas. Measured
 - Acc. Accepted
 - NT Non Tangent
 - Registered Plan 54
 - (P1) (P2) (857) Plan, February 12, 1975
 - See Section 1 for Vertical Limits
 - See Diagram 1 for Horizontal Limits
 - Downwards Without Limit
 - Upwards Without Limit
 - CHW Overhead Wires
 - CRW Concrete Retaining Wall
 - BF Board Fence
 - P&W Post & Wire Fence
 - CL Centreline

Bearings are grid
 Elevations are referred to geodetic datum.
 City of Ottawa Vertical Benchmark
 Mon. No. X, Elevation =
 Parts 3, 4, 5 and 6 are limited vertically.

Surveyor's Certificate
 I CERTIFY THAT:
 1. This survey and plan are correct and in accordance with the Surveys Act, the Surveyors Act and the Land Titles Act and the regulations made under them.
 2. The survey was completed on the _____ day of April, 2018.

Date _____
 E. H. Herweyer
 Ontario Land Surveyor

Surveyor's Certificate
 I CERTIFY THAT:
 1. The structures shown on this plan are in existence.
 2. The dimensions shown on the plan have been verified by actual measurements.

Date _____
 E. H. Herweyer
 Ontario Land Surveyor