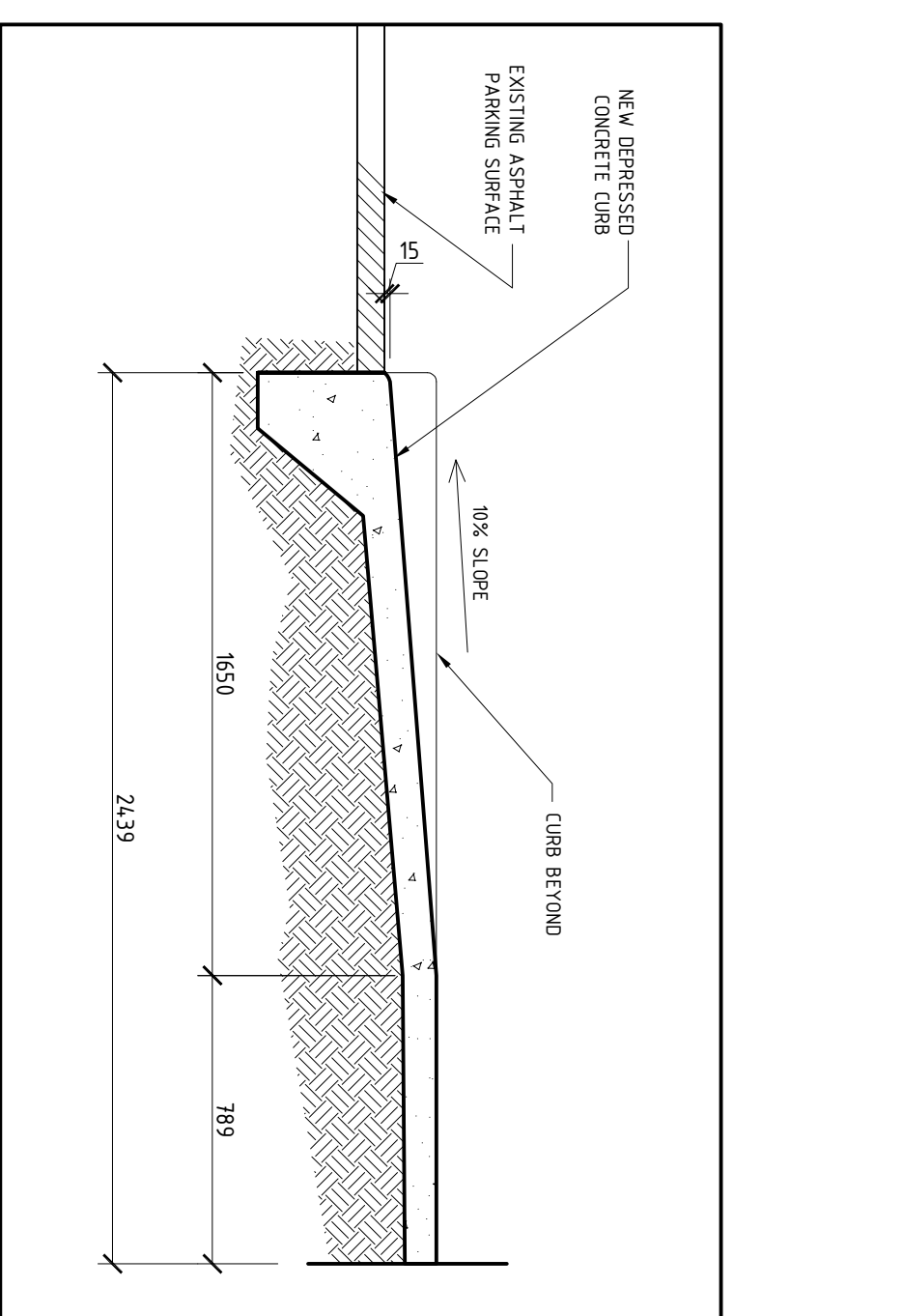
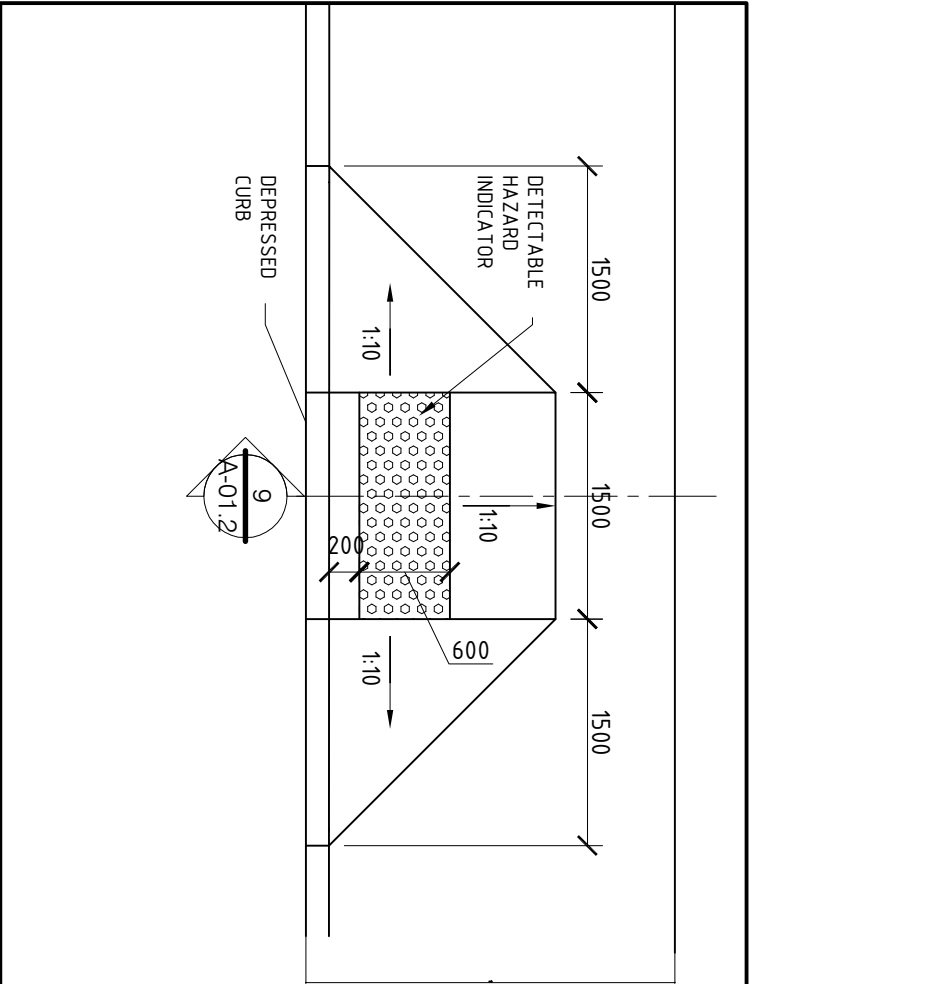
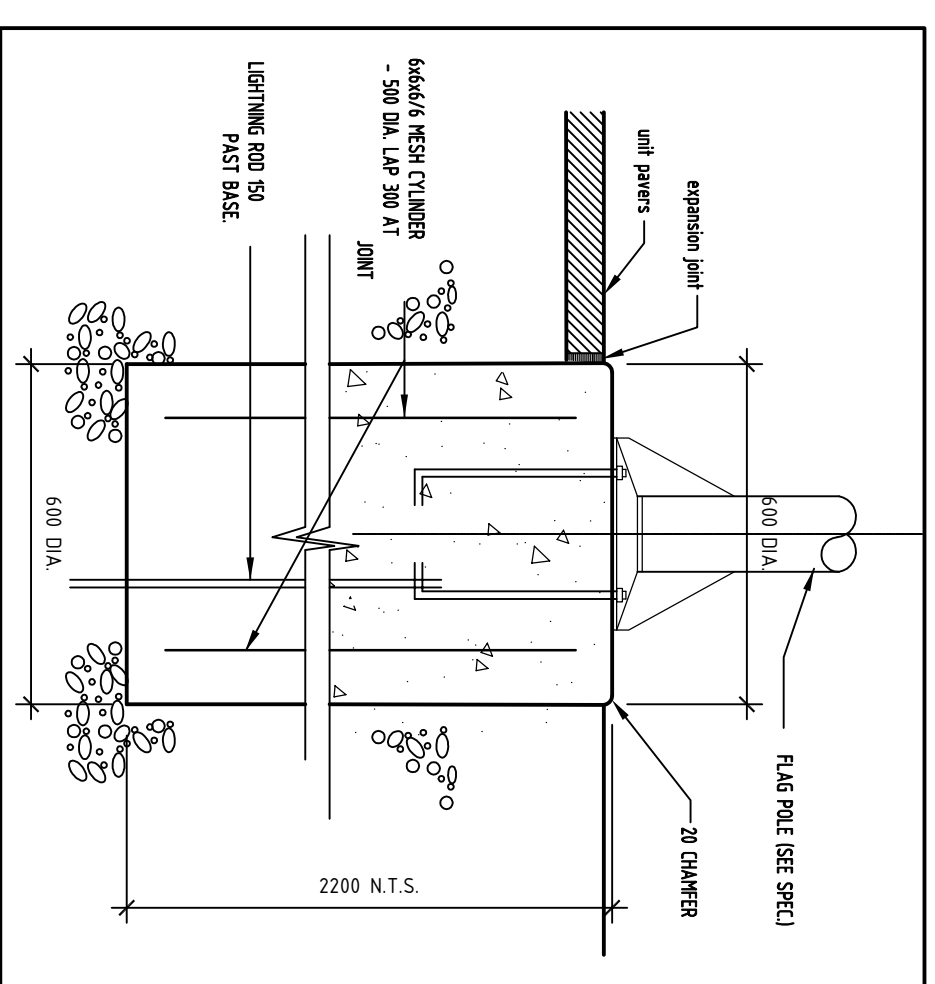
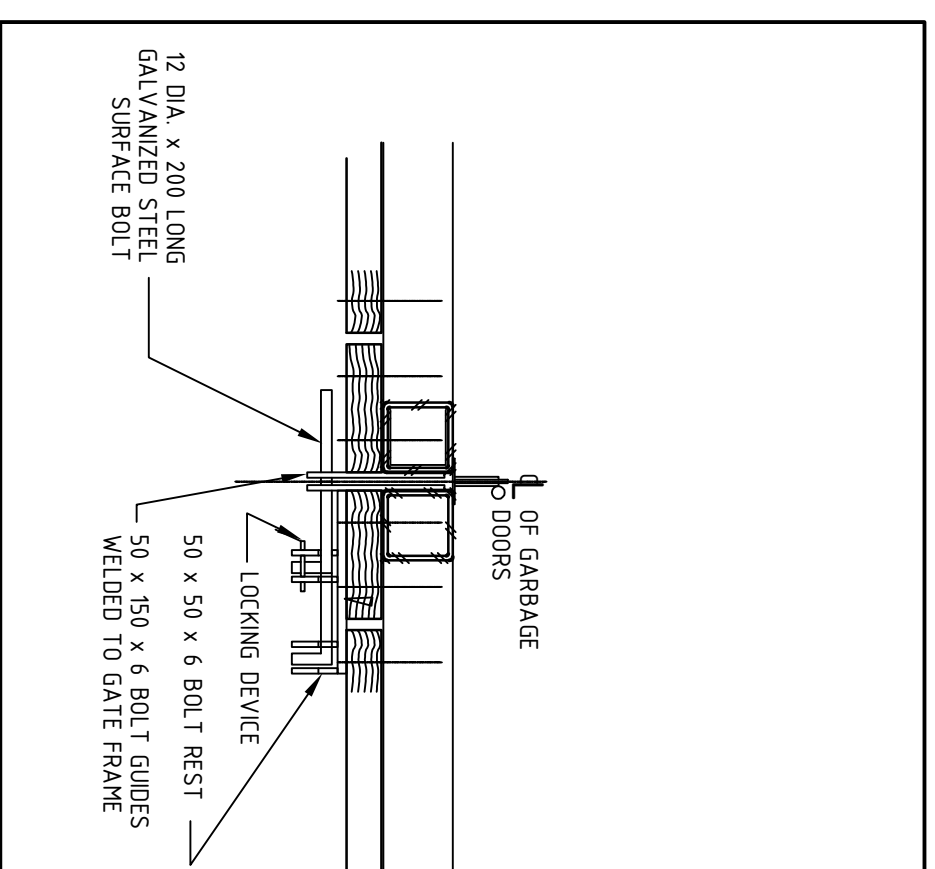
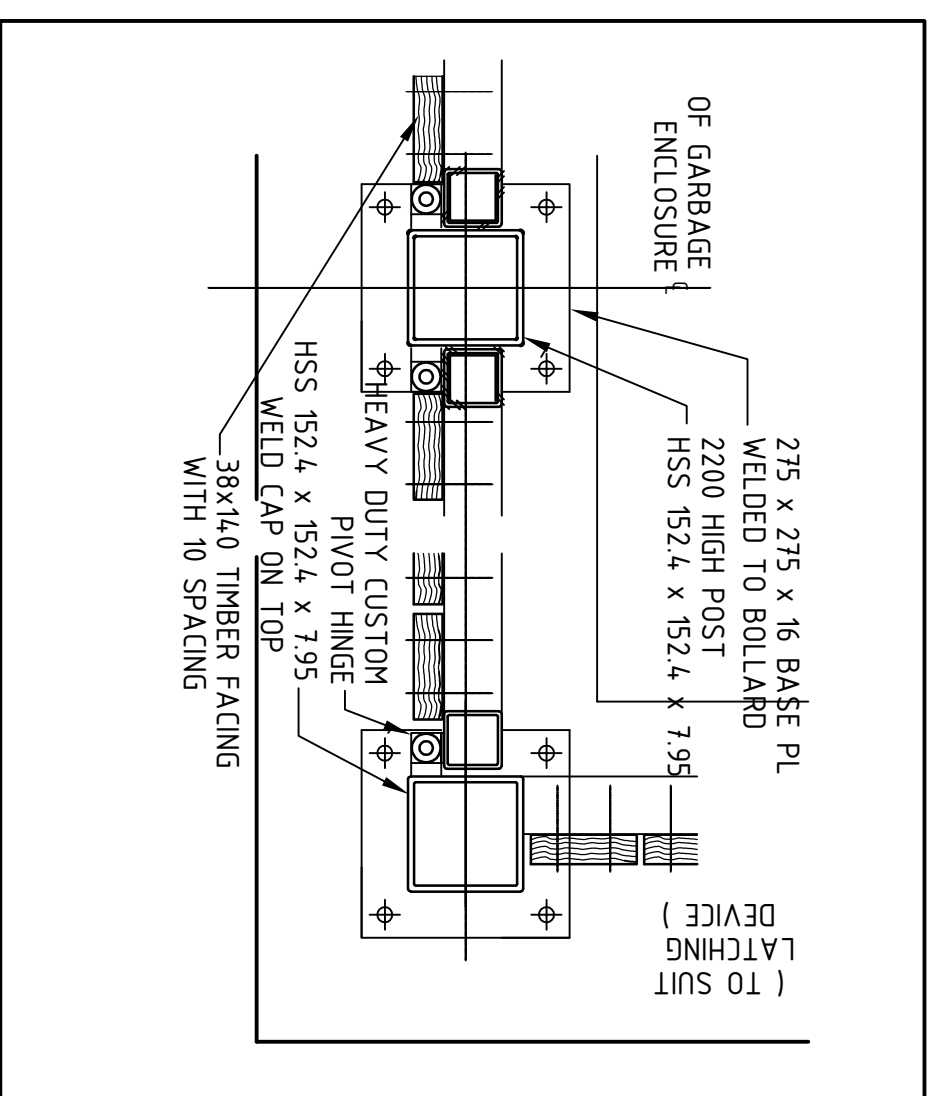


1 GARBAGE ENCLOSURE PLAN  
Scale: 1:50

2 GARBAGE ENCLOSURE ELEVATION  
Scale: 1:50

3 GARBAGE ENCLOSURE - SECTION DETAIL  
Scale: 1:10

4 GARBAGE ENCLOSURE - SECTION DETAIL  
Scale: 1:10



5 GARBAGE ENCLOSURE - PLAN DETAIL  
Scale: 1:10

6 GARBAGE ENCLOSURE - LATCH SECTION  
Scale: 1:10

7 FLAGPOLE BASE SECTION  
Scale: 1:20

8 DEPRESSED CURB PLAN DETAIL  
Scale: 1:50

9 DEPRESSED CURB SECTION DETAIL  
Scale: 1:10

**ONTARIO ASSOCIATION OF ARCHITECTS**  
 DANIELA WAGNER  
 ARCHITECT  
 589  
 SEALED AND SIGNED

**P & R ARCHITECTS INC.**  
 225 RALPH HENNESSY AVE  
 OTTAWA, ONTARIO  
 TEL: 613 728-7700 FAX: 613 728-1589  
 EMAIL: info@pandrarichitects.com  
 WEBSITE: www.pandrarichitects.com

**PROJECT**  
 NOUVELLE ÉCOLE ÉLÉMENTAIRE  
 À RIVERSIDE-SUD

**925 RALPH HENNESSY AVE OTTAWA, ON**

**DRAWING SITE DETAILS**

Do not scale. Refer any dimensional errors and/or possible trade interference/contact to the architect for clarification. The conditions of the contract apply.

PROJECT NO. 18-25 DRAWING NO. A01.2  
 SCALE - VARIOUS  
 DRAWN - I.R.  
 CHECKED - D.M.  
 PLOT DATE - 19.10.2018 REVISION NO.

NO.	ISSUE & REVISIONS	DATE
1	ISSUED FOR PERMIT/ TENDER	19 OCT 2018
2	ISSUED FOR 75% REVIEW	10 SEPT 2018
3	ISSUED FOR 50% REVIEW	14 AUG 2018
4	ISSUED FOR SITE PLAN CONTROL	29 JUNE 2018

PROJECT NORTH

1010-12-18-2018 Plan Number: 17231

**CONSEIL DES ÉCOLES CATHOLIQUES DU CENTRE-EST**  
 Le meilleur conseil d'un père, vous donner  
 4000, rue Labellie, Ottawa, ON, K1J 1A1  
 613-744-2555

**ANNIS O'SULLIVAN VOLLEBERG LTD.**  
 14 Colborne Drive, Suite 202  
 Ottawa, Ontario K1N 6P9  
 Phone: (613) 772-0850 Fax: (613) 772-1079  
 1000-12-18-2018

**JAMES B. LENNOX & ASSOCIATES INC. LANDSCAPE ARCHITECTS**  
 333 CARLING AVE. OTTAWA, ONTARIO, CAN. K1N 6N9  
 TEL: (613) 724-2848

**Jp2g Consultants Inc.**  
 ENGINEERS • PLANNERS • PROJECT MANAGERS  
 1000-12-18-2018