



**Goodkey, Weedmark
& Associates Limited**
Consulting Engineers

1688 Woodward Dr.
Ottawa, ON
Canada
K2C 3R8

Tel. 613-727-5111
Fax 613-727-5115
info@gwal.com

Principals & Associates
A. Bogdanowicz, P.Eng.
M.G. Carriere, C.E.T.
R.J. McIntyre, P.Eng.
F.W.A. Bann, P.Eng.
R. Lefebvre, P.Eng.
D.R. Vyas, P.Eng., MIEEE
S. Hamilton, P.Eng.
J. Moffat, P.Eng.
E. Pérusse, P.Eng., ing.
R. Boivin, P.Eng., ing.
R. Leonard, P.Eng.
M. Sarasin, P.Eng.

October 18, 2018

VIA E-MAIL

Pye & Richards Architects Inc.
824 Meath Street, Suite 200
Ottawa, Ontario
K1Z 6E8

ATTENTION: MR. DAVID MUNGALL, B.ARCH., OAA, MRAIC, PRINCIPAL

**SUBJECT: 925 RALPH HENNESSY AVE./MOUNT NEBO WAY
ÉCOLE CATHOLIQUE RIVERSIDE SUD
(P&R 18-25) - RFP #2018RVS-058 (CECCE)
OUR PROJECT NO. 2018-292**

Dear Sir:

Please find hereafter our response to the City of Ottawa Site Plan Application #DO7-12-18-0104 dated October 9, 2018 regarding the mechanical building item:

Engineering Comments

Question 14: The roof storm pipe design has been designed to OBC 7.4.10.4 (1). The main roof drains have been designed for flow control in accordance with OBC 7.4.10.4 (2) with eleven (11) flow control roof drains with maximum flow of 1.89 l/s (30 USGPM) at 150mm depth using Watts RD-100-A roof drains with Watts Adjustable Accutrol weir. The roof drains will be set at a rate of 1.89 l/s at 150mm depth and set with full open weir opening. The lower roof canopy drain serving the small roof has no flow control. Reference attached literature.

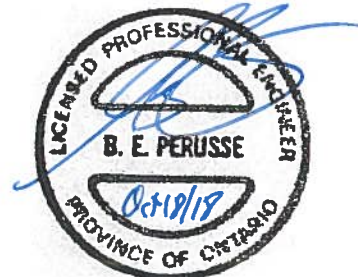
Yours very truly,

GOODKEY, WEEDMARK & ASSOCIATES LIMITED

Marc Carriere, C.E.T.
Principal

MC/cb

Enclosures: Watts RD-100-A Roof Drain
Watts Adjustable Accutrol Weir





RD-100-A

Large Capacity Roof Drain

Tag: _____

Components:



B2



B2-DM

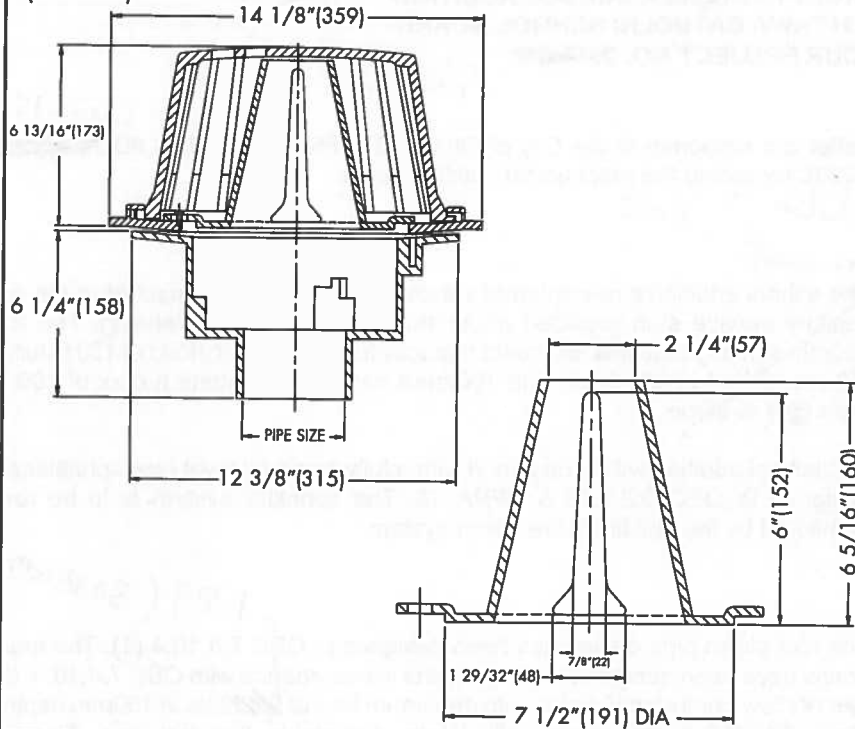


B2-FLG



FC-2

SPECIFICATION: Watts Drainage Products RD-100 epoxy coated cast iron roof drain with deep sump, wide serrated flashing flange, flashing clamp device with integral gravel stop, accutrol weir and self-locking polyethylene (standard) dome.



Free Area Sq. in. 137

Deck opening 10" (254) with sump receiver 13-1/4" (337)

** Side Outlet (-SO) option only available in 2"(51), 3"(76), 4"(102) pipe sizes. Underdeck Clamp (-BED and -D options) are not available when -SO is selected.

Optional Body Material (NH Only)	
Suffix	Description
-60	PVC Body w/Socket Outlet <input type="checkbox"/>
-61	ABS Body w/Socket Outlet <input type="checkbox"/>

Order Code: RD-100-A- - -

Ex. RD-102P-K

Pipe Sizing (Select One)	
Suffix	Description
2	2"(51) Pipe Size <input type="checkbox"/>
3	3"(76) Pipe Size <input type="checkbox"/>
4	4"(102) Pipe Size <input type="checkbox"/>
5	5"(127) Pipe Size <input type="checkbox"/>
6	6"(152) Pipe Size <input type="checkbox"/>
8	8"(203) Pipe Size <input type="checkbox"/>

Outlet Type (Select One)	
Suffix	Description
NH	No Hub (NH) <input type="checkbox"/>
P	Push On <input type="checkbox"/>
T	Threaded Outlet <input type="checkbox"/>
X	Inside Caulk <input type="checkbox"/>

Options (Select One or More)	
Suffix	Description
-B	Sump Receiver Flange <input type="checkbox"/>
-BED	Sump Receiver, Adj Ext., Deck Clamp <input type="checkbox"/>
-C	Secondary Membrane Clamp <input type="checkbox"/>
-D	Underdeck Clamp <input type="checkbox"/>
-E	Adjustable Extension <input type="checkbox"/>
-GSS	Stainless Steel Ballast Guard <input type="checkbox"/>
-H	Adj. to 6" IRMA Ballast Guard <input type="checkbox"/>
-K	Ductile Iron Dome <input type="checkbox"/>
-K80	Aluminum Dome <input type="checkbox"/>
-L	Vandal Proof Dome <input type="checkbox"/>
-R	2" High External Water Dam <input type="checkbox"/>
-SO	Side Outlet** <input type="checkbox"/>
-V	Fixed Extension (1-1/2", 2", 3", 4") <input type="checkbox"/>
-W	Adj. Water Level Regulator <input type="checkbox"/>
-W-1	Waterproofing Flange <input type="checkbox"/>
-Z	Extended Integral Wide Flange <input type="checkbox"/>
-5	Sediment Bucket <input type="checkbox"/>
-6	Vandal Proof Top <input type="checkbox"/>
-12	Galvanized Dome <input type="checkbox"/>
-13	All Galvanized <input type="checkbox"/>
-83	Mesh Covered Dome <input type="checkbox"/>
-113M	Special Epoxy from 3M Range <input type="checkbox"/>

Job Name _____

Contractor _____

Job Location _____

Contractor's P.O. No. _____

Engineer _____

Representative _____

Watts product specifications in U.S. customary units and metric are approximate and are provided for reference only. For precise measurements, please contact Watts Technical Service. Watts reserves the right to change or modify product design, construction, specifications, or materials without prior notice and without incurring any obligation to make such changes and modifications on Watts products previously or subsequently sold.

USA: Tel: (800) 338-2581 • Fax: (828) 248-3929 • Watts.com

Canada: Tel: (905) 332-4090 • Fax: (905) 332-7068 • Watts.ca

Latin America: Tel: (52) 81-1001-8600 • Fax: (52) 81-8000-7091 • Watts.com

ES-WD-RD-100-A-CAN 1512



A Watts Water Technologies Company



Adjustable Accutrol Weir

Tag: _____

Adjustable Flow Control
for Roof Drains

ADJUSTABLE ACCUTROL(for Large Sump Roof Drains only)

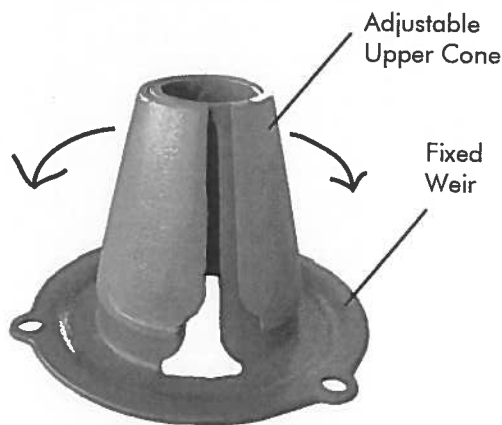
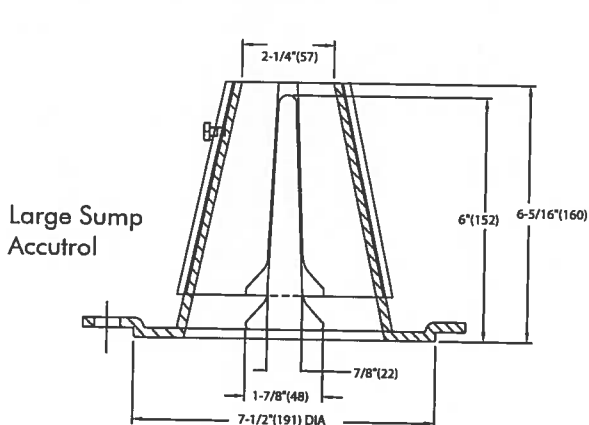
For more flexibility in controlling flow with heads deeper than 2", Watts Drainage offers the Adjustable Accutrol. The Adjustable Accutrol Weir is designed with a single parabolic opening that can be covered to restrict flow above 2" of head to less than 5 gpm per inch, up to 6" of head. To adjust the flow rate for depths over 2" of head, set the slot in the adjustable upper cone according to the flow rate required. Refer to Table 1 below.

Note: Flow rates are directly proportional to the amount of weir opening that is exposed.

EXAMPLE:

For example, if the adjustable upper cone is set to cover 1/2 of the weir opening, flow rates above 2" of head will be restricted to 2-1/2 gpm per inch of head.

Therefore, at 3" of head, the flow rate through the Accutrol Weir that has 1/2 the slot exposed will be:
[5 gpm(per inch of head) x 2 inches of head] + 2-1/2 gpm(for the third inch of head) = 12-1/2 gpm.



1/2 Weir Opening Exposed Shown Above

TABLE 1. Adjustable Accutrol Flow Rate Settings

Weir Opening Exposed	Head of Water					
	1"	2"	3"	4"	5"	6"
	Flow Rate (gallons per minute)					
Fully Exposed	5	10	15	20	25	30
3/4	5	10	13.75	17.5	21.25	25
1/2	5	10	12.5	15	17.5	20
1/4	5	10	11.25	12.5	13.75	15
Closed	5	10	10	10	10	10

Job Name _____ Contractor _____

Job Location _____ Contractor's P.O. No. _____

Engineer _____ Representative _____

WATTS Drainage reserves the right to modify or change product design or construction without prior notice and without incurring any obligation to make similar changes and modifications to products previously or subsequently sold. See your WATTS Drainage representative for any clarification. Dimensions are subject to manufacturing tolerances.



CANADA: 5435 North Service Road, Burlington, ON, L7L 5H7 TEL: 905-332-6718 TOLL-FREE: 1-888-206-8927 Website: www.wattsdrainage.ca

