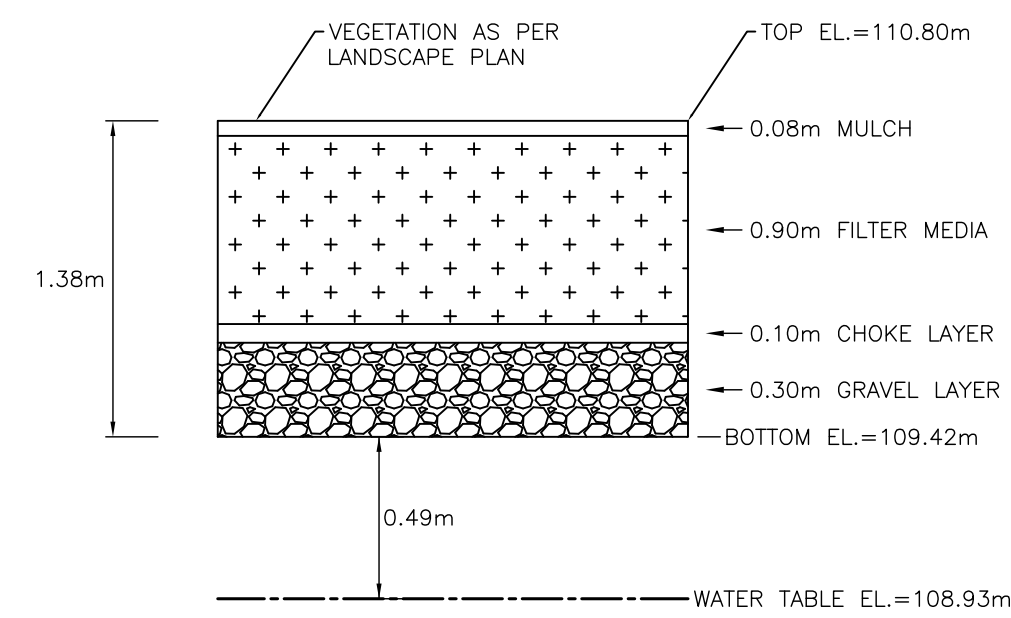


LEGEND

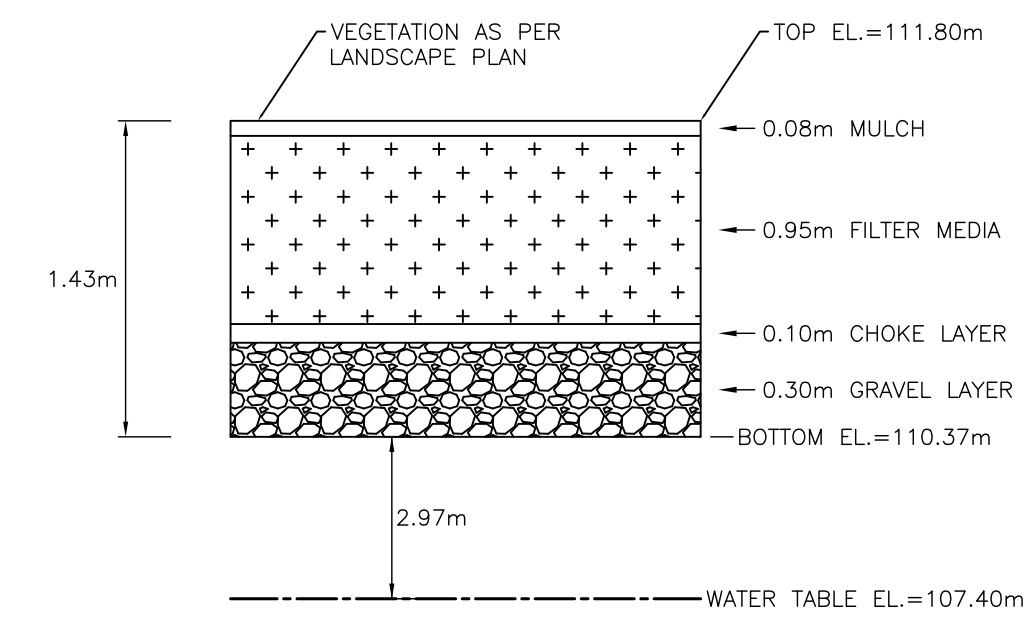
- PROPERTY BOUNDARY
- DRAINAGE AREA BOUNDARY
- MEANDER BELT SETBACK
- 15 METRE SETBACK
- 100 YEAR FLOOD PLAN
- EXISTING GRAVEL ROAD
- EXISTING DITCH
- PRE-TREATMENT AREA
- TREATMENT AREA

TREATMENT FACILITY SPECIFICATIONS	
MATERIAL	SPECIFICATION
MULCH LAYER	SHREDDED HARDWOOD BARK MULCH
FILTER MEDIA	SOIL MIXTURE TO CONTAIN: - 85 TO 88% SAND - 8 TO 12% SOIL FINES - 3 TO 5% ORGANIC MATTER - P-INDEK VALUE BETWEEN 10 TO 30 PPM - CATIONIC EXCHANGE CAPACITY GREATER THAN 10 meq/100 g - pH BETWEEN 5.5 TO 7.5 - INFILTRATION RATE GREATER THAN 25mm/hr
CHOKE LAYER	WASHED 3 TO 10mm DIAMETER CLEAR STONE
STORAGE RESERVOIR	WASHED 50mm DIAMETER CLEAR STONE

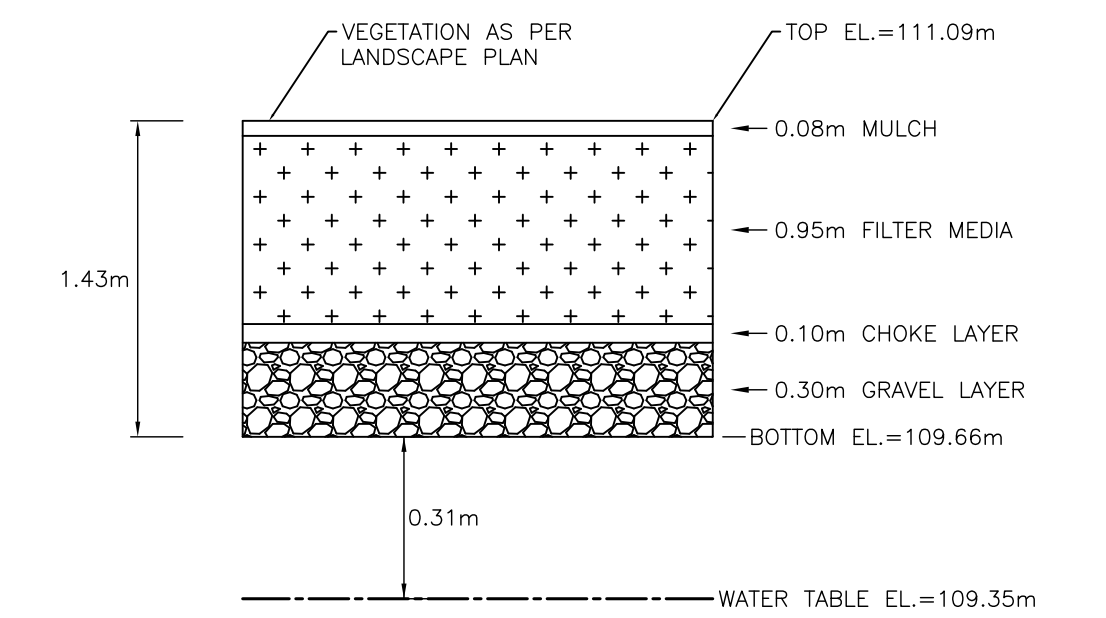
STORMWATER QUALITY STORAGE REQUIREMENTS				
CATCHMENT AREA ID	CATCHMENT AREA (m ²)	REQUIRED QUALITY STORAGE VOLUME (m ³)	EFFECTIVE TREATMENT AREA (m ²)	PROVIDED QUALITY STORAGE VOLUME (m ³)
SWM1	17,514	472.9	975	473.9
SWM2	14,618	394.7	810	405.8



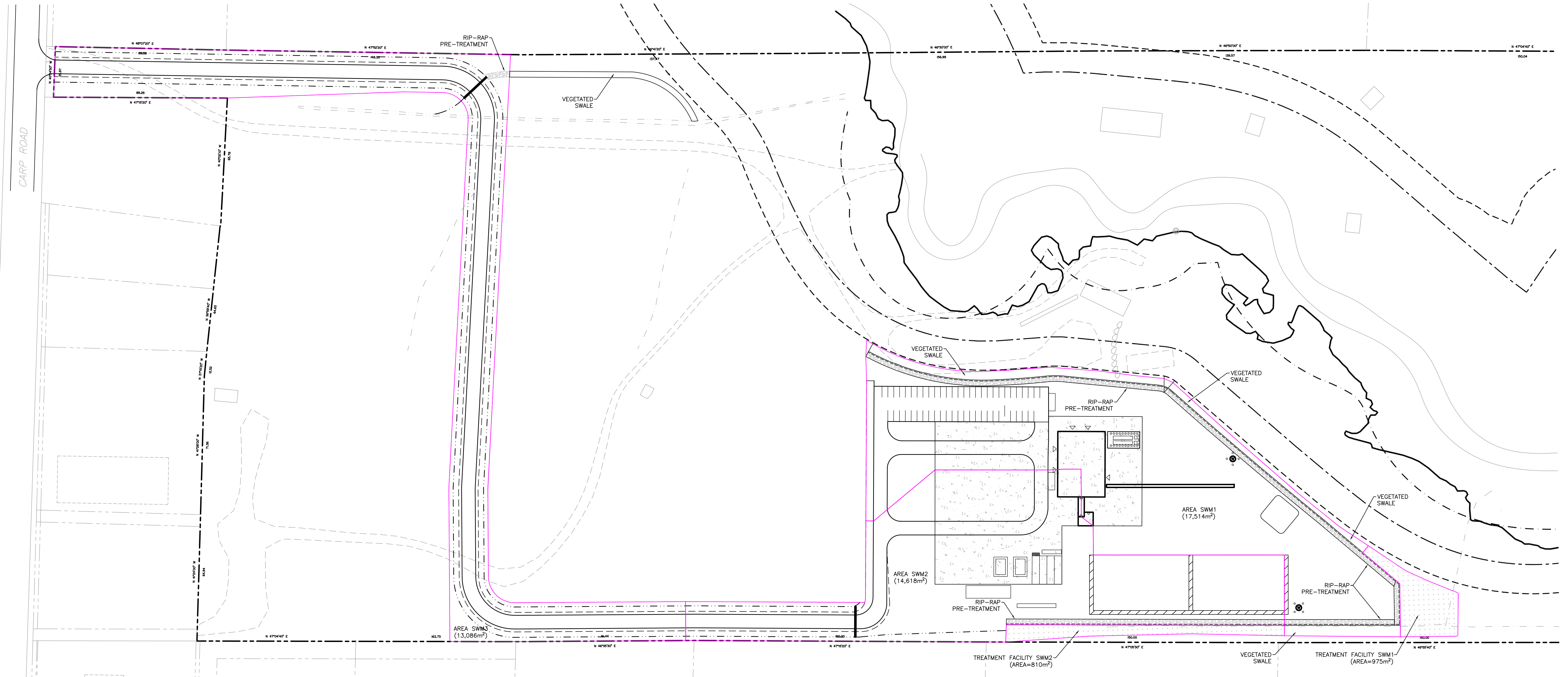
AREA SWM1 TREATMENT FACILITY
N.T.S.



AREA SWM2 (INLET) TREATMENT FACILITY
N.T.S.



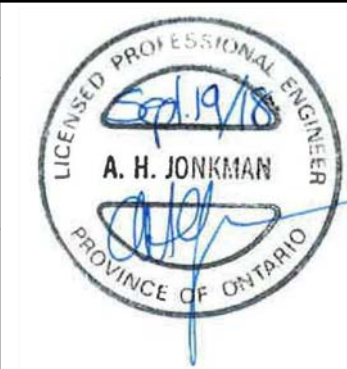
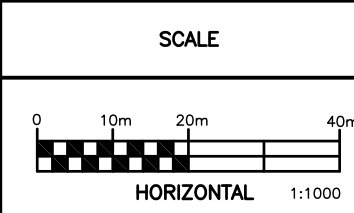
AREA SWM2 (OUTLET) TREATMENT FACILITY
N.T.S.



NOTES

THE POSITION OF ALL POLE LINES, CONDUITS, WATERMANS, SEWERS AND OTHER UNDERGROUND AND OVERGROUND UTILITIES AND STRUCTURES IS NOT NECESSARILY SHOWN ON THE CONTRACT DRAWINGS, AND WHERE SHOWN, THE ACCURACY OF THE POSITION OF SUCH UTILITIES AND STRUCTURES IS NOT GUARANTEED. BEFORE STARTING WORK, DETERMINE THE EXACT LOCATION OF ALL SUCH UTILITIES AND STRUCTURES AND ASSUME ALL LIABILITY FOR DAMAGE TO THEM.

NO.	REVISION DESCRIPTION	DATE	BY
1	ISSUED FOR SITE PLAN APPLICATION	19/09/18	AHJ



Robinson
Land Development

350 Palladium Drive
Ottawa, ON K2V 1A8
(613) 592-6060 rcil.com

DESIGN	BLM
CHECKED	AHJ
DRAWN	BLM
CHECKED	AHJ
APPROVED	AHJ

1384341 ONTARIO LTD.

2596 CARP ROAD
OTTAWA, ON

**STORMWATER
MANAGEMENT PLAN**

PROJECT No.	18047
SURVEY	CAVANAGH
DATED	SEPTEMBER 2018
DWG. No.	18047-SWM1