

CLIENT: RORTAR LAND DEVELOPMENT CONSULTANTS  
47 Moon Street, Richmond Ontario  
Tel: (905) 232-2144

CONSULTANTS

ARCHITECTS: MATAJ ARCHITECTS INC.  
96 Forsythe Street, Oakville Ontario  
Tel: (905) 211-4444

CIVIL ENGINEERS: STANTEC CONSULTING LTD.  
400-1131 Oryx Avenue, Ottawa ON  
Tel: (613) 724-4327

LEGEND

	PROPOSED SEED
	PROPOSED DECIDUOUS TREE
	PROPOSED CONIFEROUS TREE
	PROPOSED SHRUBS / PERENNIALS
	PROPOSED RIVER STONE
	PROPOSED PRECAST CONCRETE PAVERS

1	ISSUED FOR DISCUSSION AND REVIEW	02/22/2018	ML	JL
No.	Issue	Date	DR	CK

**JAMES B. LENNOX & ASSOCIATES INC.**  
LANDSCAPE ARCHITECTS  
3332 CARLING AVE. OTTAWA, ONTARIO K2H 5A8  
Tel: (613) 722-2168 Fax: (866) 343-3942

PROJECT  
O'KEEFE COURT HAMPTON INN  
OTTAWA, ONTARIO

DRAWING  
LANDSCAPE PLAN

STAMP

SCALE  
AS SHOWN

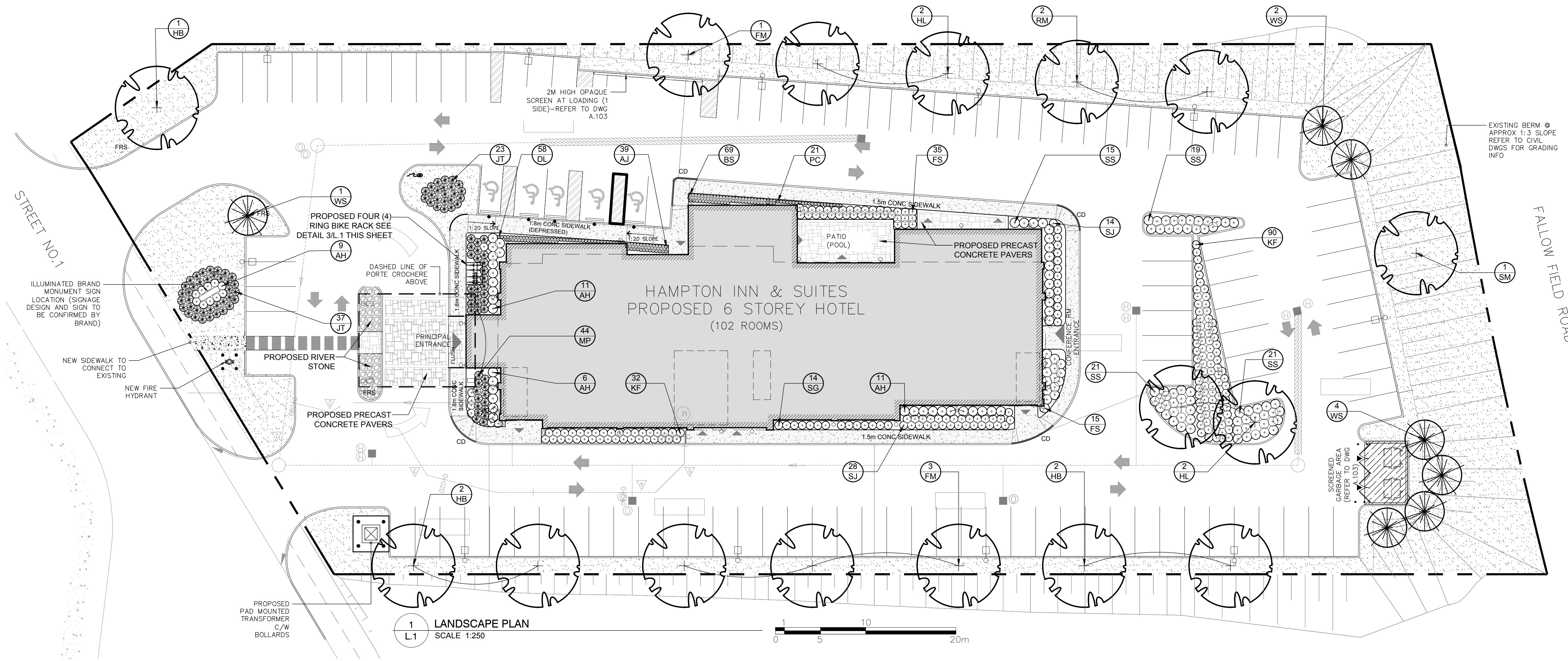
START DATE  
JANUARY 2018

PROJECT NO.

PROJECT NORTH

DRAWING NO.  
**L.1**

PLOT SIZE ARCH-D



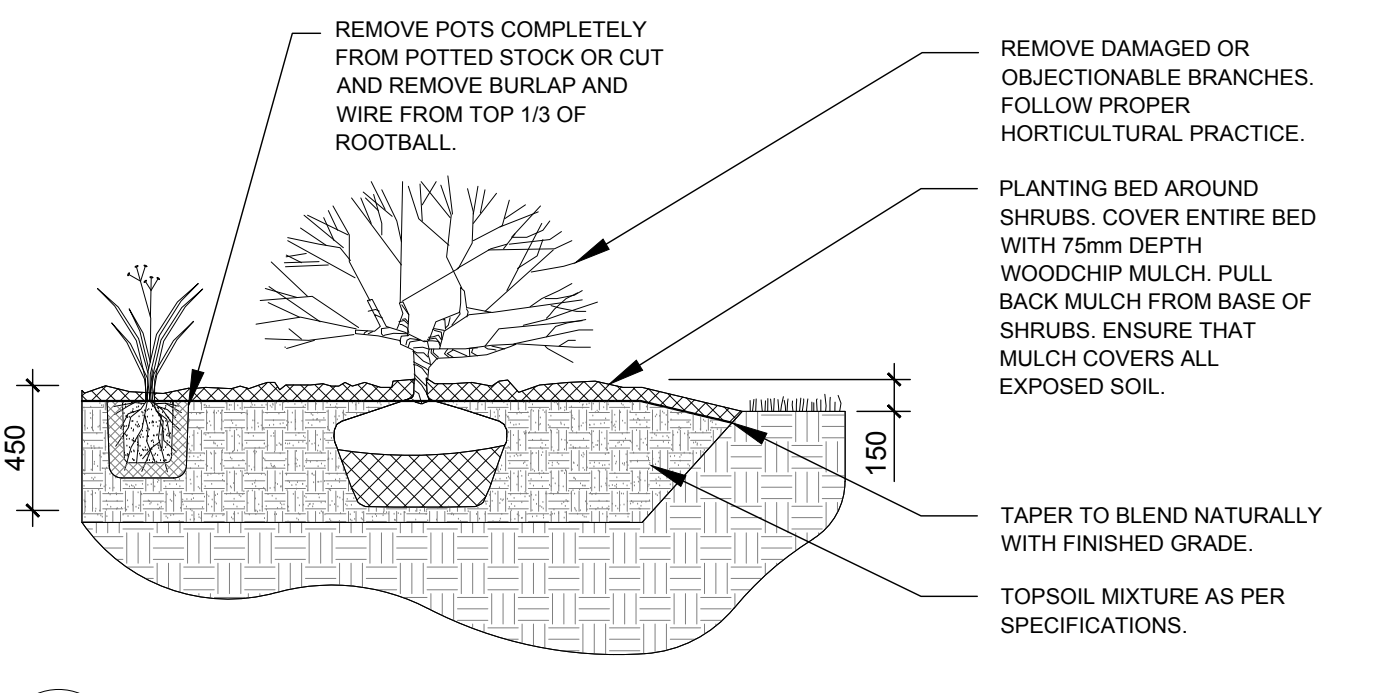
**1 LANDSCAPE PLAN**  
SCALE 1:250

**PROPOSED PLANT LIST**

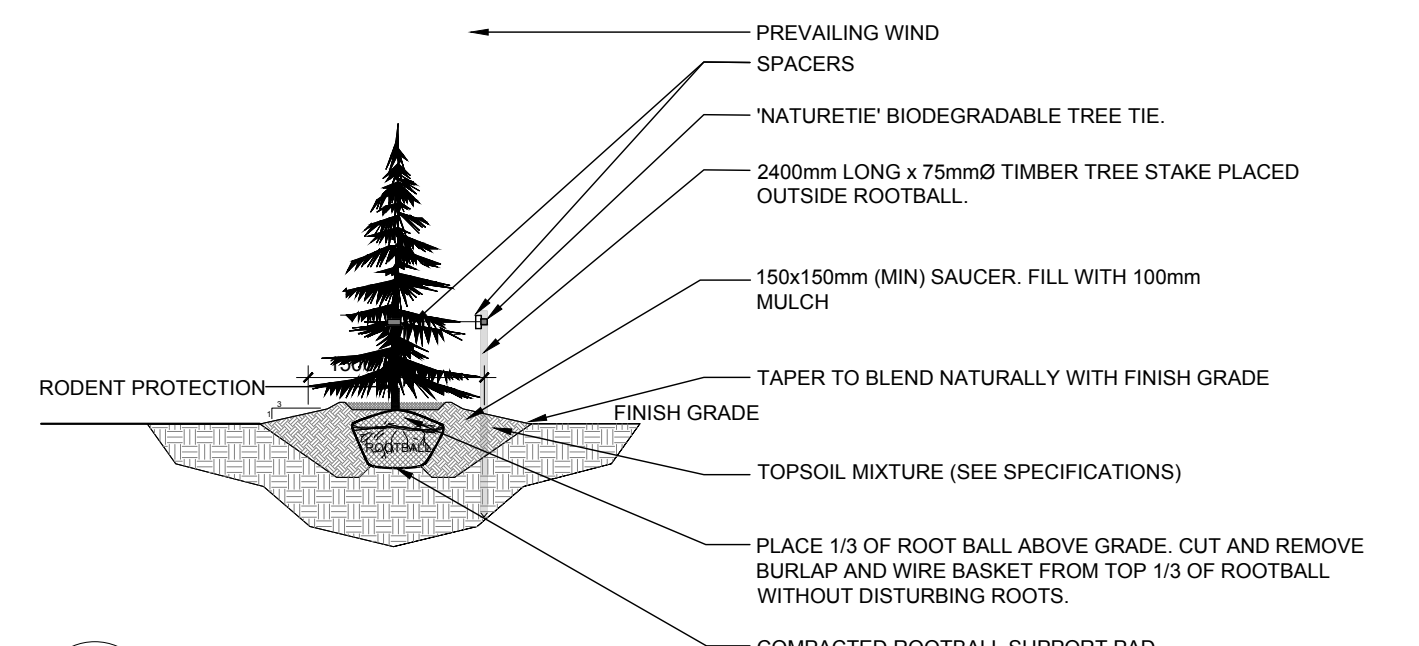
KEY	QTY	BOTANICAL NAME	COMMON NAME	SIZE	CONDITION	REMARKS
<b>TREES</b>						
FM	4	Acer x freemanii	Freeman's Maple	60mm dia.	B&B	
HB	5	Celtis occidentalis	Hackberry	60mm dia.	B&B	
HL	4	Gleditsia triacanthos 'Skyline'	Skyline Honey Locust	60mm dia.	B&B	
RM	2	Acer rubrum	Red Maple	60mm dia.	B&B	
SM	1	Acer saccharum	Sugar Maple	60mm dia.	B&B	
WS	7	Picea glauca	White Spruce	1800mm ht.	B&B	
<b>SHRUBS</b>						
AH	38	Hydrangea arborescens 'Annabelle'	Annabelle Hydrangea	600mm ht.	Potted	1000mm o.c.
FS	15	Rhus aromatica 'Gro Low'	Grow Low Fragrant Sumac	600mm ht.	Potted	1000mm o.c.
JT	60	Juniperus sabina 'Tamariscifolia'	Tamarix Juniper	800mm ht.	Potted	1000 mm o.c.
MP	44	Pinus mugo 'Pumilio'	Dwarf Mugo Pine	600mm spr.	Potted	1000mm o.c.
SJ	42	Hypericum kalimianum 'Ames'	Ames' St. John's Wort	600mm ht.	Potted	800mm o.c.
SS	76	Sorbaria sorbifolia 'Sem'	Sem False Spirea	600mm ht.	Potted	1000mm o.c.
<b>PERENNIALS</b>						
AJ	39	Sedum 'Autumn Joy'	Autumn Joy Stonecrop	100mm pot	Potted	400 mm o.c.
BS	69	Rudbeckia fulgida 'Goldstrum'	Black Eyed Susan	100mm pot	Potted	1000 mm o.c.
DL	59	Hemerocallis 'Moses Fire'	Moses Fire Daylily	100mm pot	Potted	400 mm o.c.
KF	122	Calamagrostis x acutiflora 'Karl Foerster'	Feather Reed Grass	250mm pot	Potted	800 mm o.c.
PC	21	Echinacea purpurea 'Magnus'	Magnus' Purple Coneflower	100mm pot	Potte	400 mm o.c.
SG	14	Panicum virgatum 'Heavy Metal'	Heavy Metal Switch Grass	250mm pot	Potted	800 mm o.c.

**GENERAL NOTES:**

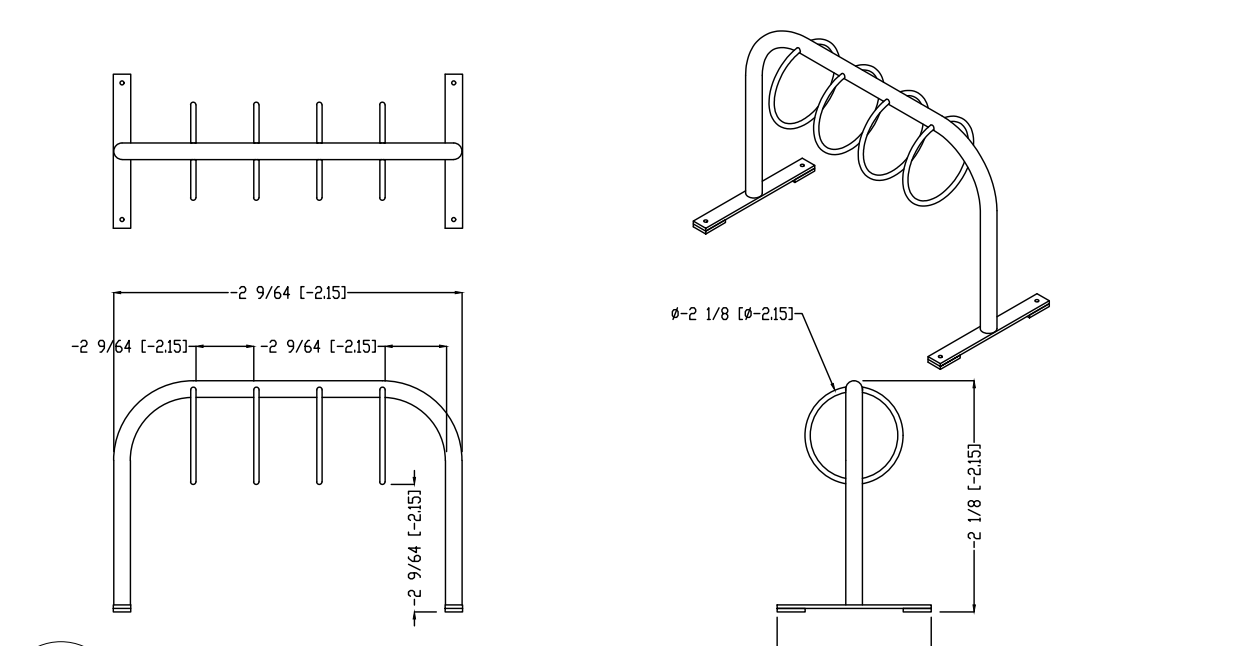
- It is the responsibility of the appropriate contractor or official to report any errors, omissions or discrepancies on this plan with actual site conditions to the Landscape Architect before proceeding with construction.
- The contractor is to notify all utility companies and authorities prior to any excavation and ascertain locations of underground services.
- The contractor is to reinstate all areas and items damaged as a result of construction activity.
- The contractor is to comply with all pertinent codes and by-laws.
- The contractor is to maintain a positive surface run-off throughout the entire construction period.
- The Landscape Architect is not responsible for subsurface conditions.
- The contractor is to identify all existing trees to remain on site with the Landscape Architect prior to construction.
- The contractor is to stake the proposed location of all plant material in conjunction with the Landscape Architect prior to excavation.
- Minimum distances for selected deciduous trees are as follows:
  - Building Foundations 7.5m
  - Sidewalks 1.5m
  - Public Streets 2.5m
  - Underground Infrastructure 2.0m
- All trees within 1m of underground utility trenches are to be excavated by hand.
- Remove all protective wrapping from tree trunks after installation.
- Staking of trees shall only be performed if necessary.
- Ensure that mulch is pulled back a min. distance of 75mm from base of tree trunk.



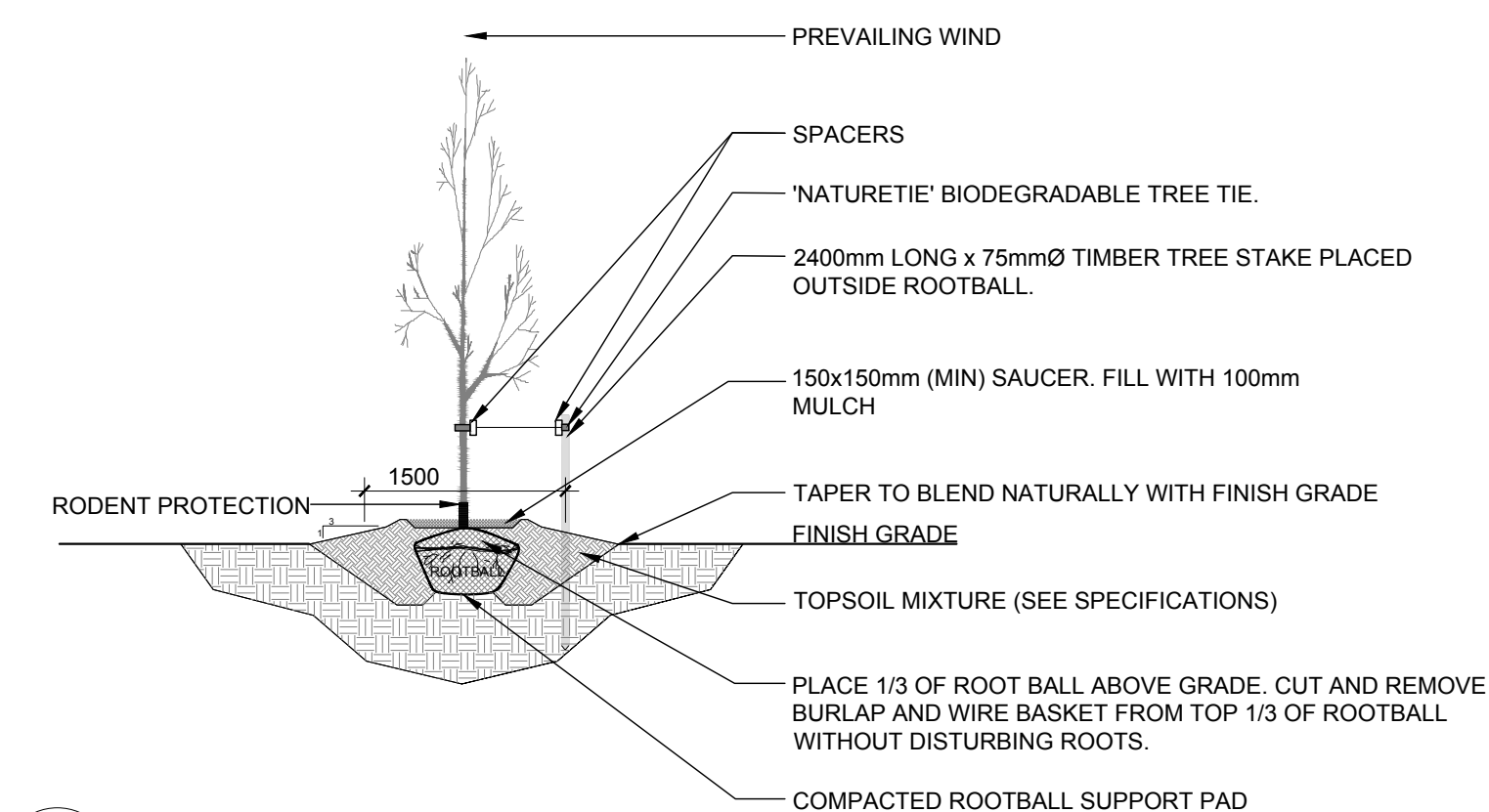
**4 SHRUB / PERENNIAL PLANTING**  
SCALE: NTS



**2 CONIFEROUS TREE PLANTING**  
SCALE: NTS



**3 FOUR (4) RING BIKE RACK**  
SCALE: NTS



**5 DECIDUOUS TREE PLANTING**  
SCALE: NTS