

CROYDON AVENUE
P. I. N. 03963 - 0001

APPROXIMATE LOCATION OF EX. 300mm WATERMAIN

N.T.S. MH-S Lid=73.78
N.T.S. MH-ST Lid=73.63

APPROXIMATE LOCATION OF EX. 225mm SANITARY SEWER

APPROXIMATE LOCATION OF EX. 300mm STORM SEWER

Local Benchmark
2 Nails on Utility Pole
Elevation=74.974

LOT 55
P. I. N. 03963 - 0002

PROPOSED 3 STOREY 8 DWELLING UNIT BUILDING

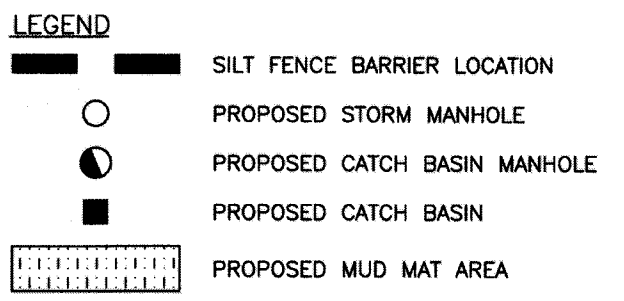
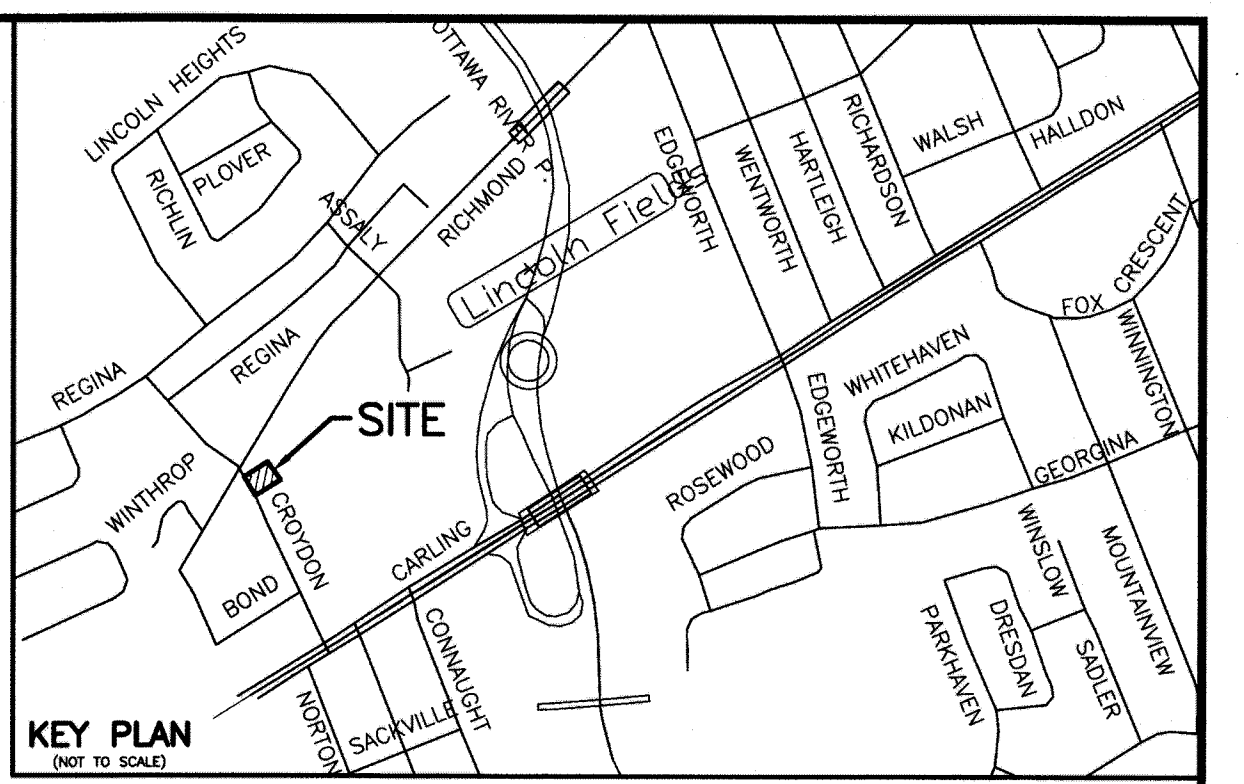
P. I. N. 03963 - 0003

LOT 46
P. I. N. 03963 - 0004

APPROVED REFUSED
THIS ___ DAY OF _____, 20__
DERRICK MOODIE
MANAGER, DEVELOPMENT REVIEW - WEST
PLANNING, INFRASTRUCTURE & ECONOMIC
DEVELOPMENT DEPARTMENT, CITY OF OTTAWA

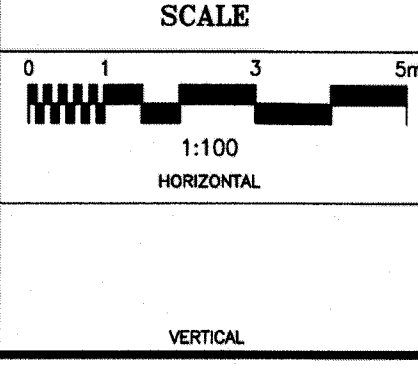
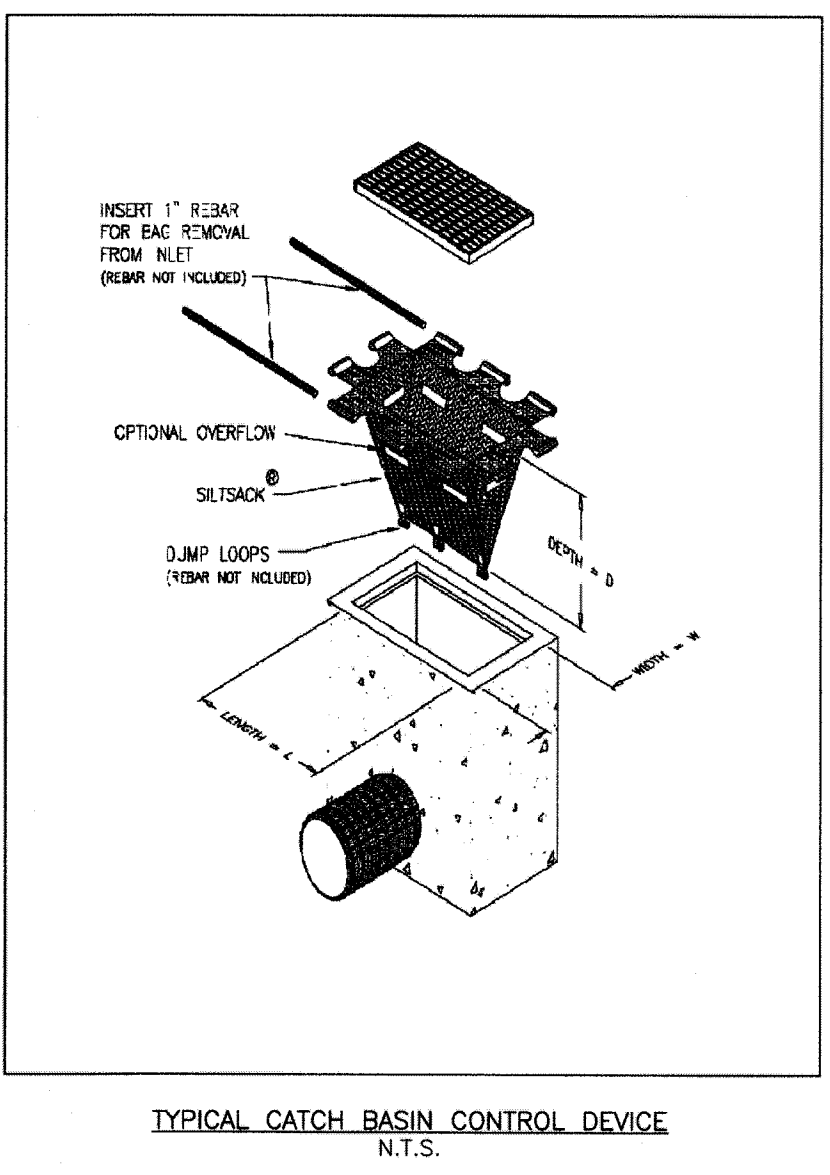
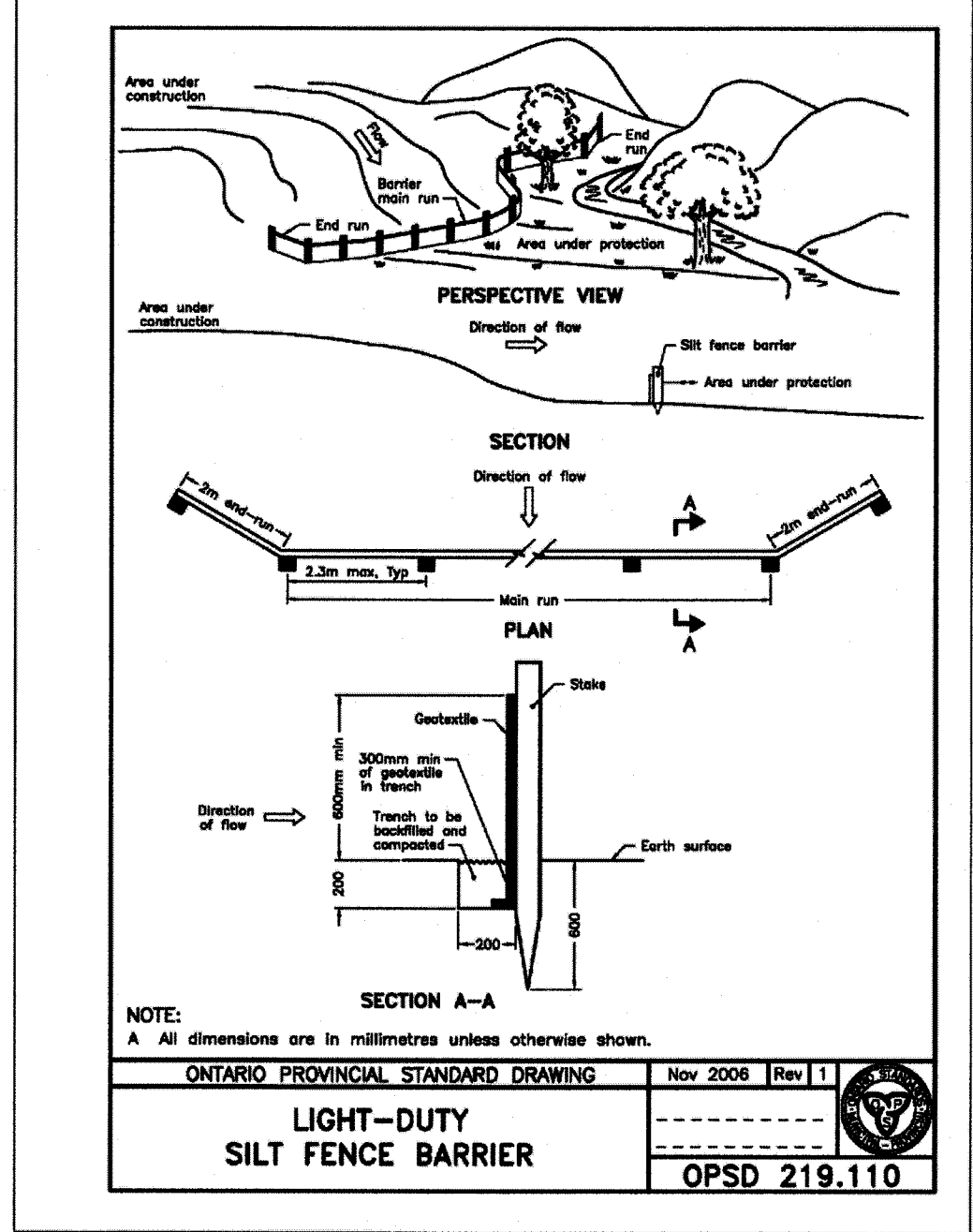
REGISTERED PLAN 311

REGISTERED PLAN 348



EROSION AND SEDIMENT CONTROL NOTES

- BEST MANAGEMENT PRACTICES
- EROSION AND SEDIMENT CONTROLS (BEST MANAGEMENT PRACTICES) SHALL BE PROVIDED DURING CONSTRUCTION OF THIS PROJECT. EROSION MUST BE MINIMIZED AND SEDIMENTS MUST BE REMOVED FROM CONSTRUCTION SITE RUNOFF IN ORDER TO PROTECT DOWNSTREAM AREAS. DURING ALL CONSTRUCTION, EROSION AND SEDIMENTATION SHOULD BE CONTROLLED BY THE FOLLOWING TECHNIQUES:
 - MINIMIZE THE EXTENT OF EXPOSED SOILS.
 - MINIMIZE THE AREA TO BE CLEARED AND GRUBBED.
 - PROTECT EXPOSED SLOPES WITH PLASTIC OR SYNTHETIC MULCHES.
 - INSTALL "SILTSACK" CATCH BASIN SEDIMENT CONTROL DEVICE OR EQUAL IN CATCH BASINS ON SITE AS RECOMMENDED BY MANUFACTURER. SILTSACK SHALL BE INSPECTED EVERY 2 TO 3 WEEKS AND AFTER EVERY MAJOR STORM. INSTALL GEOTEXTILE FABRIC UNDER MAINTENANCE HOLE COVER FOR STRUCTURES WITHIN THE MUD MAT AREA.
 - INSTALL SILT FENCES AROUND THE PERIMETER OF STOCKPILES OF TOPSOIL TO BE USED OR REMOVED FROM SITE. (LOCATION TO BE DETERMINED).
 - SEDIMENT CONTROL DEVICES SHALL BE INSPECTED EVERY 2 TO 3 WEEKS AND AFTER MAJOR STORMS AND CLEANED OF ANY ACCUMULATED SILT AS REQUIRED. THE DEPOSITS WILL BE DISPOSED OF AS PER THE REQUIREMENTS OF THE CONTRACT.
 - IN SOME CASES SOME FILTER BARRIERS MAY BE REMOVED TEMPORARILY TO ACCOMMODATE CONSTRUCTION OPERATIONS. THE AFFECTED BARRIERS WILL BE REINSTATED AT NIGHT WHEN CONSTRUCTION IS COMPLETED. REMOVAL SHALL NOT OCCUR IF RUNOFF OR RAINFALL IS PREDICTED UNLESS A NEW DEVICE HAS BEEN INSTALLED TO PROTECT THE EXISTING STORM AND SANITARY SEWER SYSTEMS.
 - NO REFUELING OR CLEANING OF EQUIPMENT IS PERMITTED NEAR ANY EXISTING WATERWAYS.
 - DURING THE CONSTRUCTION PERIOD, THE CONTRACTOR SHALL INSPECT, MAINTAIN AND REMOVE THE CONTROL MEASURES.
 - THIS PROPOSED EROSION AND SEDIMENT CONTROL PLAN IS CONSIDERED BY (SICA) A LEGAL DOCUMENT WHICH MAY BE MODIFIED IN THE EVENT THE CONTROL MEASURES ARE INSUFFICIENT.



DESIGN	T.L.M.
CHECKED	T.L.M.
DRAWN BY	G.U.
CHECKED	T.L.M.
APPROVED	T.L.M.

PROJECT	351 CROYDON AVE LOT 47 REGISTERED PLAN 348 CITY OF OTTAWA
OWNER	URBAN STRUCTURE PROPERTIES LTD.
DRAWING TITLE	PROPOSED EROSION AND SEDIMENT CONTROL PLAN

T.L. MAK ENGINEERING CONSULTANTS LTD. CONSULTING ENGINEERS		
PROJECT No.	DATE	DRAWING No.
817-21	MAY 2017	ESC-1

NO.	REVISION	DATE	BY
3	AS PER CITY'S REVIEW COMMENTS OF DECEMBER 22, 2017	01/30/18	TLM
2	AS PER CITY'S REVIEW COMMENTS OF SEPTEMBER 15, 2017	11/09/17	TLM
1	REVISIONS AS PER LATEST REVISED SITE PLAN OF JULY 14, 2017	07/20/17	TLM