

**LEGEND**

- PROPERTY LINE
- - - PROPOSED STORM SEWER
- DRAINAGE DIVIDE
- ➔ MAJOR SYSTEM FLOW ROUTE
- EX6
- 4.010
- 0.19
- ▨ MAXIMUM PONDING LIMIT

PROPERTY LINE  
PROPOSED STORM SEWER  
DRAINAGE DIVIDE  
MAJOR SYSTEM FLOW ROUTE  
DRAINAGE AREA ID  
AREA IN Ha  
RATIONAL METHOD RUNOFF COEFFICIENT  
MAXIMUM PONDING LIMIT

**NOT FOR CONSTRUCTION**

**TOPOGRAPHIC INFORMATION**  
TOPOGRAPHIC INFORMATION PROVIDED BY ANNIS, O'SULLIVAN, VOLLEBEKK LTD.  
PROJ. NO. 3430-02  
DATED SEPTEMBER 10, 2002

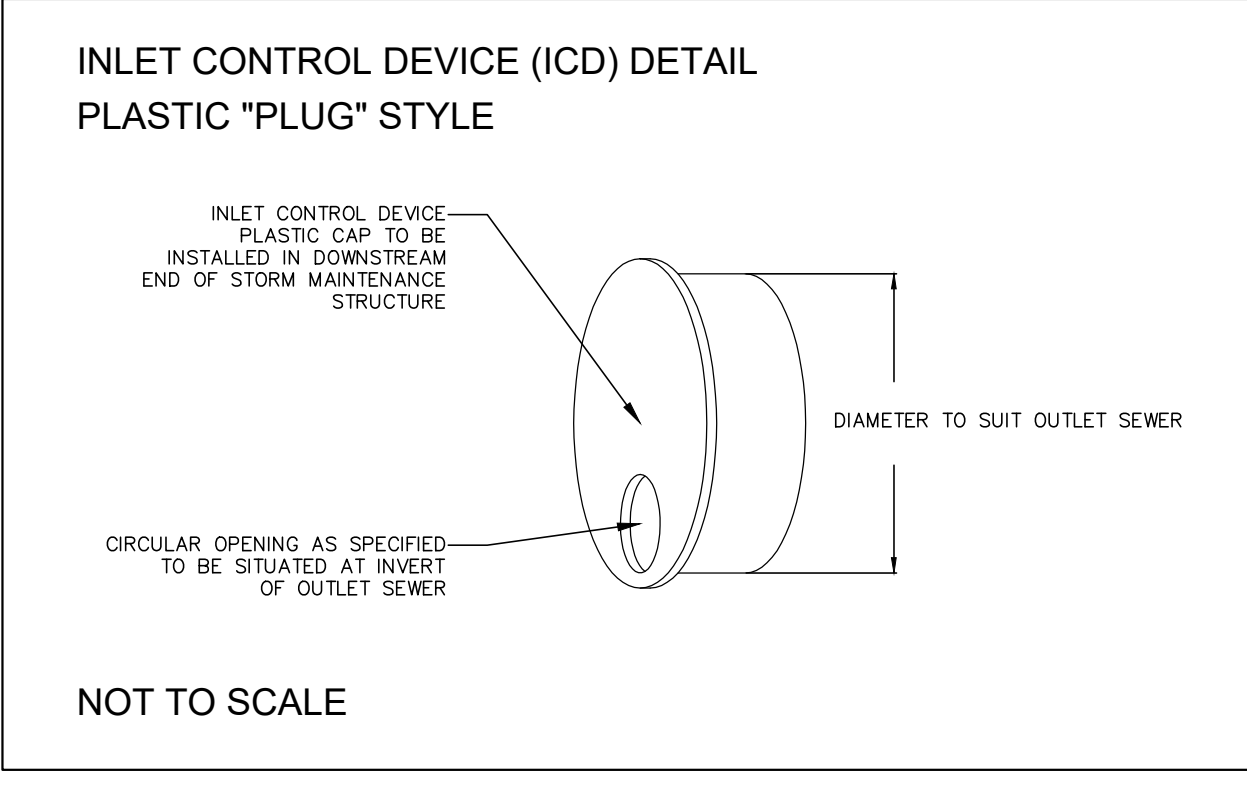
**SITE PLAN INFORMATION**  
TOPOGRAPHIC INFORMATION PROVIDED BY M. DAVID BLAKELY ARCHITECT INC.  
DATED FEBRUARY 26, 2018

**GEOTECHNICAL STUDY**  
GEOTECHNICAL RECOMMENDATIONS PROVIDED BY PATERSON GROUP  
PROJ. NO. PG2530-1 REVISION 2  
DATED FEBRUARY 5, 2018

**SITE SERVICING AND STORMWATER MANAGEMENT STUDY**  
SERVICING AND STORMWATER MANAGEMENT RECOMMENDATIONS PROVIDED BY DSEL  
PROJ. NO. 18-1004  
DATED MARCH 2018

**BENCH MARK**  
ARROW ON HYDRANT LOCATED WEST OF SITE ENTRANCE FROM OGILVIE ROAD  
ELEV = 75.51

No.	BY	DATE	DESCRIPTION
1	A.J.G.	18.03.02	ISSUED FOR MUNICIPAL REVIEW



APPROVED  REFUSED

THIS \_\_\_\_\_ DAY OF \_\_\_\_\_, 20\_\_

JEFF MCEWEN, P.ENG  
MANAGER, DEVELOPMENT REVIEW - EAST  
PLANNING, INFRASTRUCTURE AND ECONOMIC  
DEVELOPMENT DEPARTMENT, CITY OF OTTAWA

PROJECT No.18-1004

R. D. FREEL  
100163197  
2018-03-02 #18-1004  
PROVINCE OF ONTARIO

**STORMWATER MANAGEMENT PLAN**  
1298 OGILVIE ROAD © DSEL

RICHCRAFT GROUP OF COMPANIES INC 2280 St. Laurent Blvd., Suite 201  
Ottawa, ON K1G 4K1

**DSEL**  
david schaeffer engineering ltd  
SMART SUBSTANTIATIONS™

120 Iber Road Unit 203  
Stittsville, Ontario, K2S 1E9  
Tel. (613) 836-0856  
Fax. (613) 836-7183  
www.DSEL.ca

DRAWN BY: A.W.T.	CHECKED BY: A.D.F.	DRAWING NO. SWM-2	SHEET NO. 2 of 2
DESIGNED BY: A.D.F.	CHECKED BY: R.D.F.		
SCALE: 1:500	DATE: MARCH 2018		