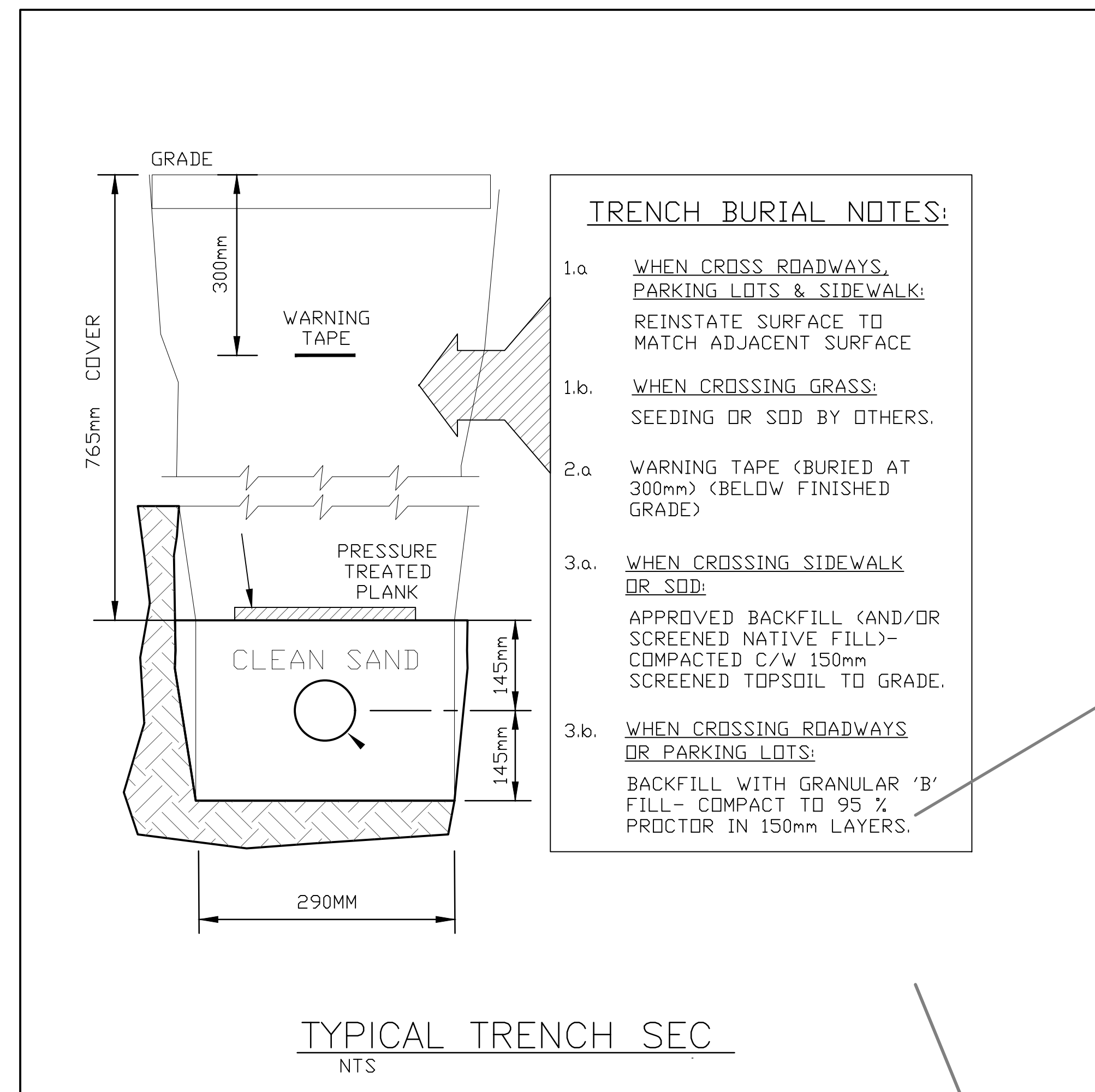
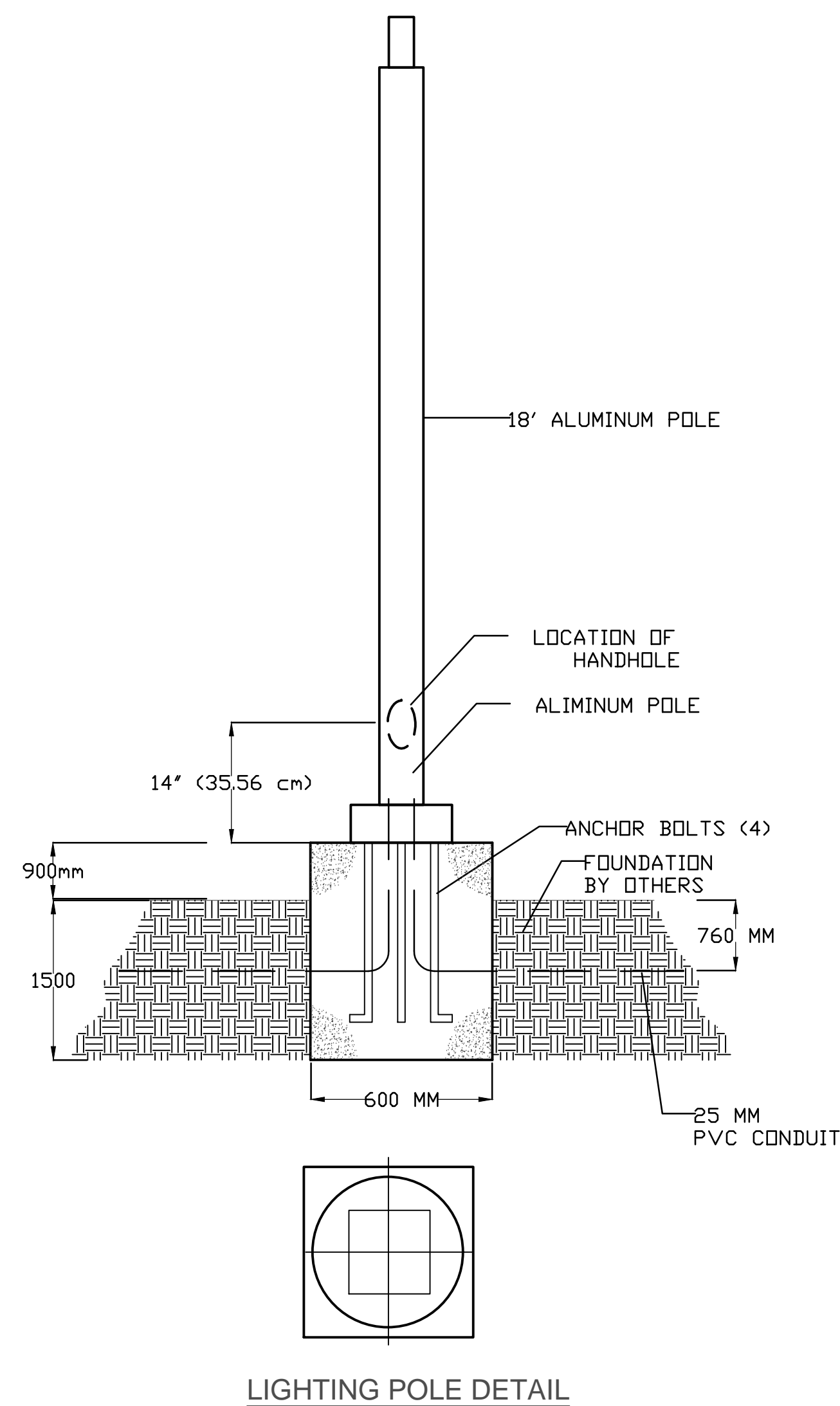


Label	Quantity	Manufacturer	Catalog Number	Description	Lamp	Number Lamps	Filename	Lumens Per Lamp	Light Loss Factor	Wattage
D	9	Lithonia Lighting	DSX2 LED P5 40K T3M MVOLT HS	DSX2 LED P5 40K T3M MVOLT with houseside shield	LED	1	DSX2_LED_P5_40K_T3M_MVOLT_HS.ies	29872	0.9	321
A	3	Lithonia Lighting	DSX2 LED P8 40K T3M MVOLT HS	DSX2 LED P8 40K T3M MVOLT with houseside shield	LED	1	DSX2_LED_P8_40K_T3M_MVOLT_HS.ies	38715	0.9	431
B	1	Lithonia Lighting	DSX2 LED P5 40K T3M MVOLT HS	DSX2 LED P5 40K T3M MVOLT with houseside shield	LED	1	DSX2_LED_P5_40K_T3M_MVOLT_HS.ies	29872	0.9	642
C	6	Lithonia Lighting	DSXW1 LED 20C 1000 50K T3M MVOLT	DSXW1 LED WITH (2) 10 LED LIGHT ENGINES, TYPE T3M OPTIC, 5000K, @ 100mA.	LED	1	DSXW1_LED_20C_1000_50K_T3M_MVOLT.ies	7620	0.9	73.2

Statistics

Description	Symbol	Avg	Max	Min	Max/Min	Avg/Min
Calc Zone #7	+	1.9 fc	18.5 fc	0.0 fc	N/A	N/A



- TRENCH BURIAL NOTES:**
- 1.a. WHEN CROSSING ROADWAYS, PARKING LOTS & SIDEWALK:
REINSTATE SURFACE TO MATCH ADJACENT SURFACE
 - 1.b. WHEN CROSSING GRASS:
SEEDING OR SOD BY OTHERS.
 - 2.a. WARNING TAPE (BURIED AT 300mm) (BELOW FINISHED GRADE)
 - 3.a. WHEN CROSSING SIDEWALK OR SOD:
APPROVED BACKFILL (AND/OR SCREENED NATIVE FILL)- COMPACTED C/W 150mm SCREENED TOPSOIL TO GRADE.
 - 3.b. WHEN CROSSING ROADWAYS OR PARKING LOTS:
BACKFILL WITH GRANULAR 'B' FILL- COMPACT TO 95 % PROCTOR IN 150mm LAYERS.

5	
4	
3	
2	Feb. 15, 18 REVISED SITE PLAN
1	DEC. 20, 17 SITE PLAN

No.	DATE	DESCRIPTION
REVISIONS:		
ISSUED FOR THE PURPOSE OF:		
PERMIT		
TENDER		
CONSTRUCTION		

IT IS THE RESPONSIBILITY OF THE APPROPRIATE CONTRACTOR TO CHECK AND VERIFY ALL DIMENSIONS ON SITE AND REPORT ALL ERRORS AND/OR OMISSIONS TO THE ARCHITECT. ALL CONTRACTORS MUST COMPLY WITH ALL PERTINENT CODES AND BY-LAWS. DO NOT SCALE DRAWINGS. THIS DRAWING MAY NOT BE USED FOR CONSTRUCTION UNTIL SIGNED BY THE ARCHITECT. COPYRIGHT RESERVED. THIS DRAWING IS THE EXCLUSIVE PROPERTY OF LEONARD P. KORTMAN ARCHITECT AND SHALL NOT BE USED WITHOUT THE ARCHITECT'S CONSENT.

M&E ENGINEERING
1436868 ONTARIO LTD.
205 Kincardine Drive, Kanata, Ontario, K2V1C5
Tel: 613-836-3428 Fax: 613-836-5957

PROFESSIONAL STAMP
LEONARD P. KORTMAN
REGISTERED PROFESSIONAL ENGINEER
NO. 12420
SEPTEMBER 22, 2009
PROVINCE OF ONTARIO

OWNER: ZENA INVESTMENT GROUP

PROJECT: **PROPOSED AUTOMOBILE DEALERSHIP**
540 DEALERSHIP DRIVE
OTTAWA, ON.

DRAWING TITLE: **SITE LIGHTING SCHEDULE & SPECIFICATIONS**

DRAWN: MY	DATE: SEPTEMBER 5/17	SCALE: AS NOTED
PROJECT NORTH	PROJECT N°	REVISION N°
		1
	DRAWING N°	E-SP1